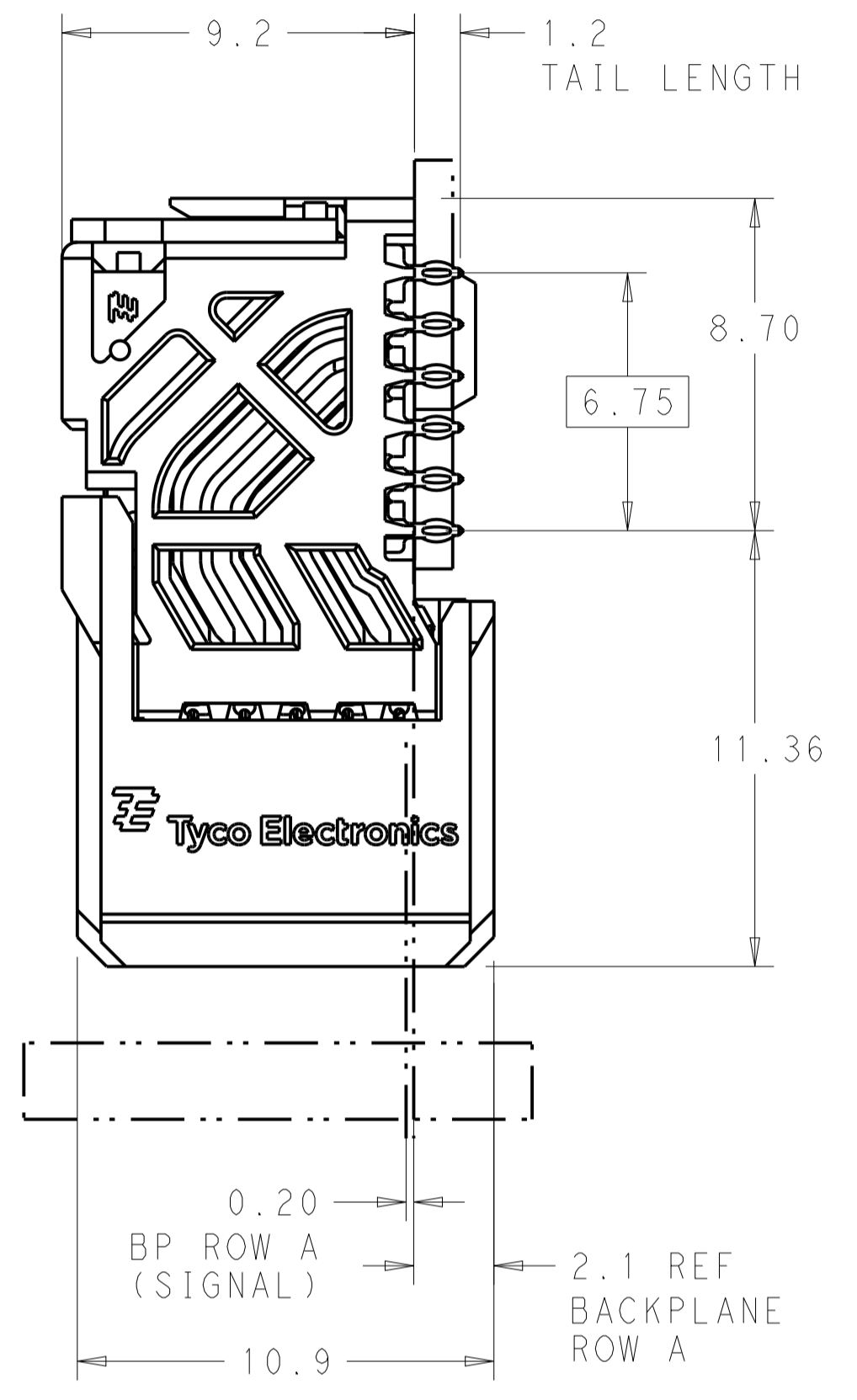
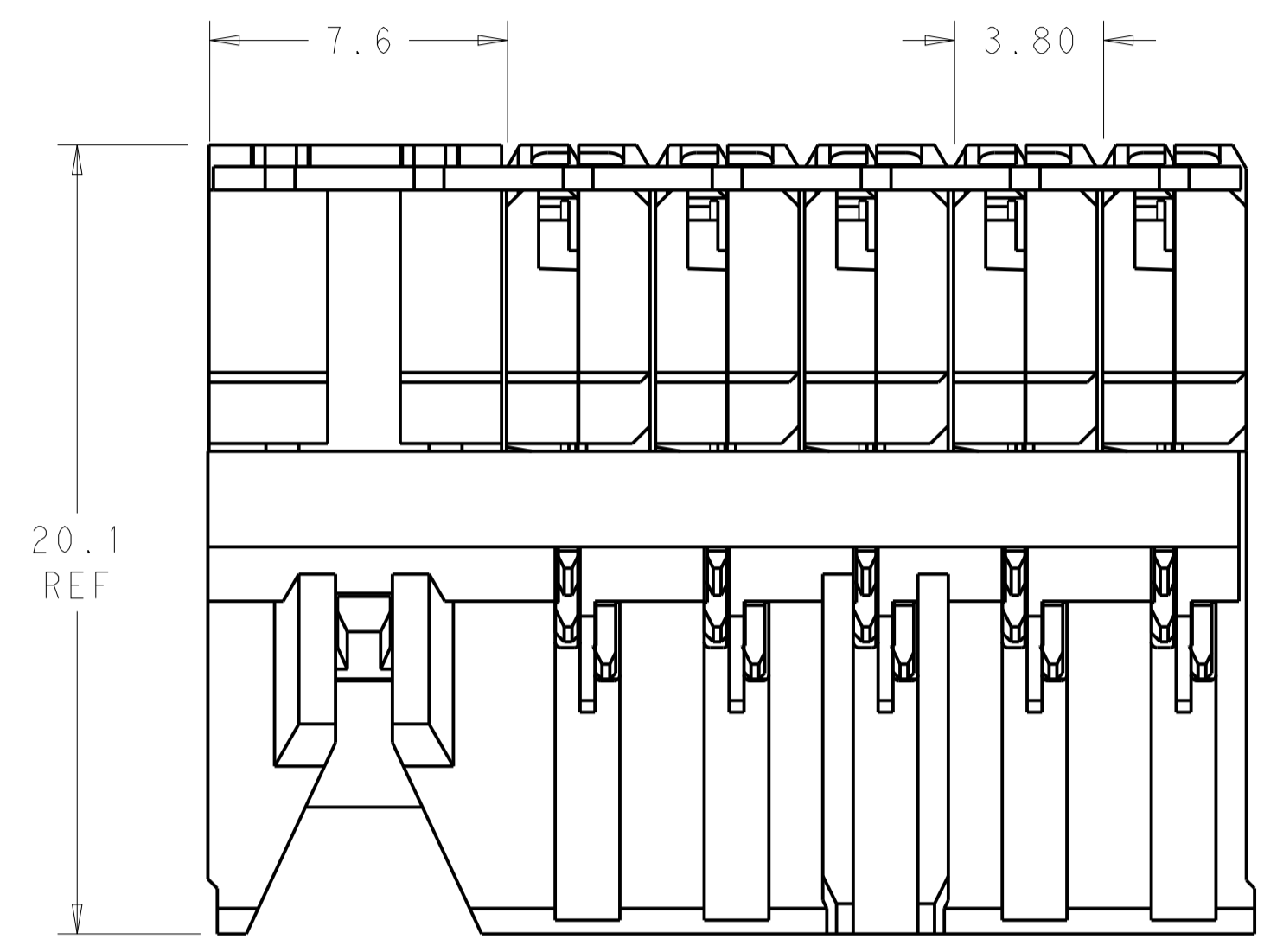
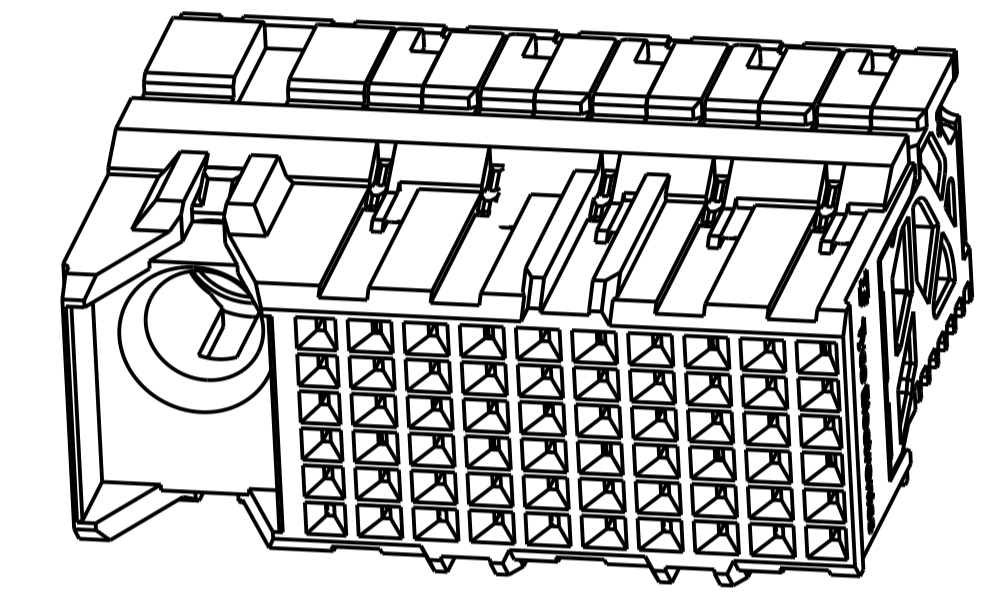


REVISIONS				
P.	LTR.	DESCRIPTION	DATE	DWN. APVD.
A		REVISED PER ECO-14-017984	01DEC2014	AP DD

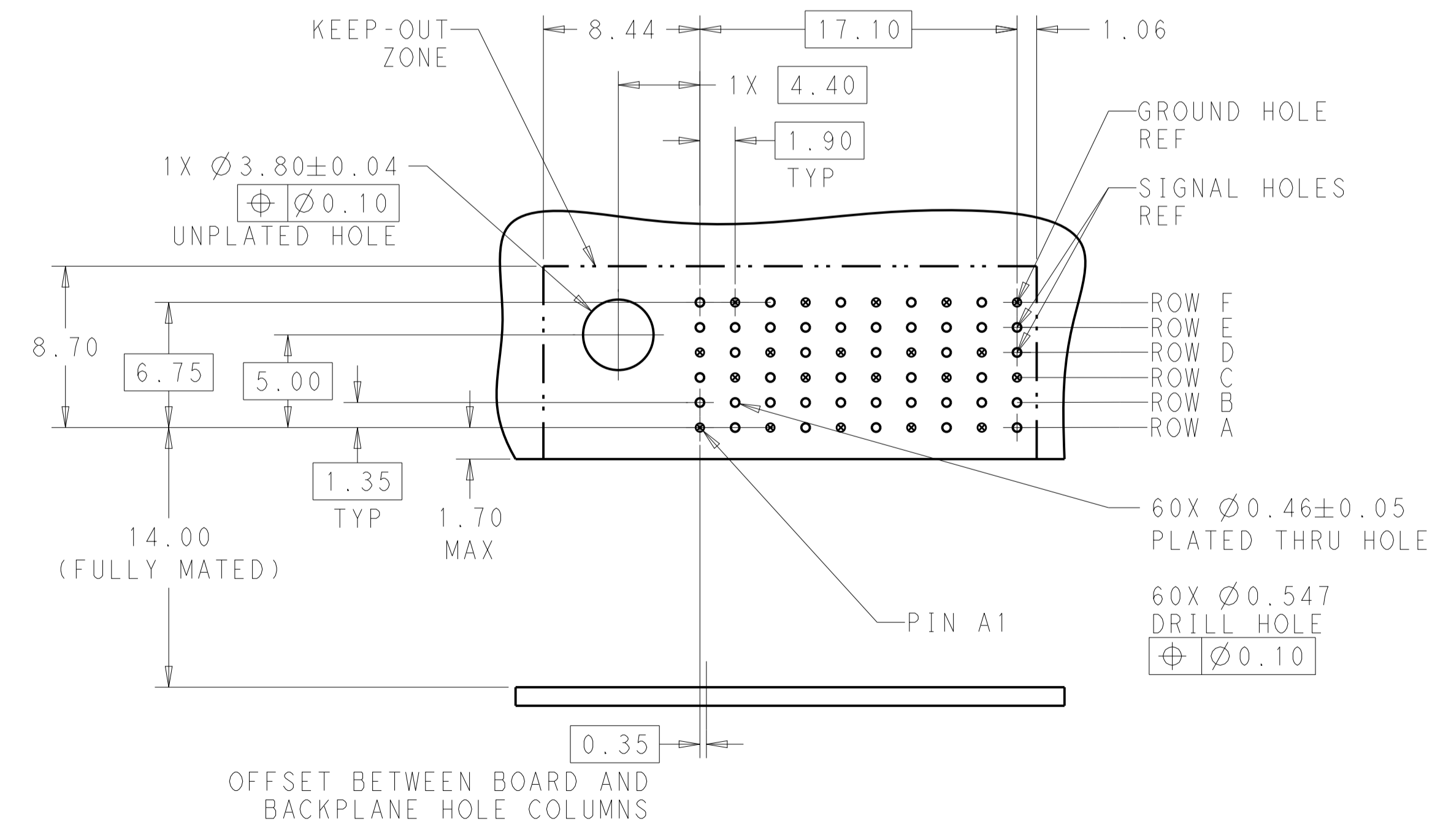
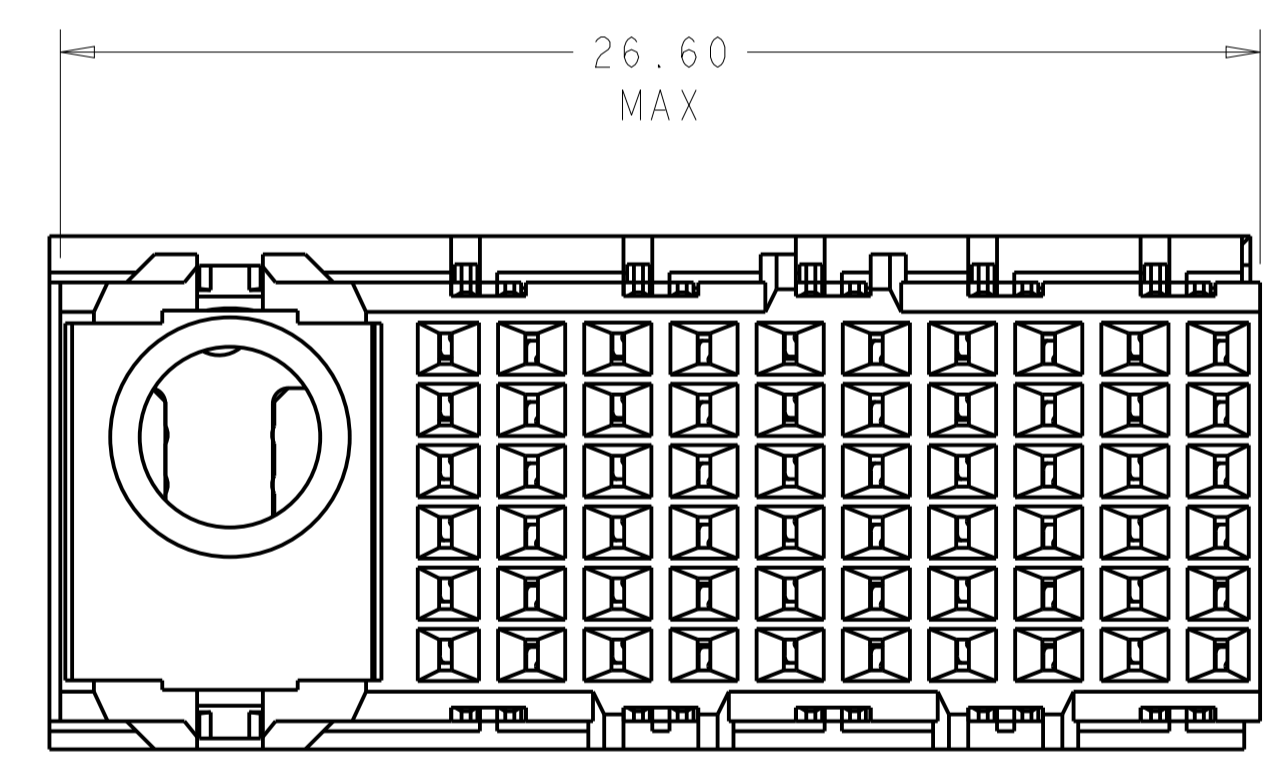


MATERIAL:
 HOUSING: LCP, GLASS FILLED, UL94V-0.
 TERMINALS: HIGH PERFORMANCE COPPER ALLOY.
 FINISH:
 30µ" SELECTIVE GOLD IN CONTACT AREA. SELECTIVE TIN ON PCB TAILS, NICKEL OVERALL.
 3. CONNECTORS SUPPLIED WITH MOUNTING SCREWS.



SCALE 4:1

REFER TO WWW.TE.COM FOR PRODUCT AVAILABILITY



OFFSET BETWEEN BOARD AND BACKPLANE HOLE COLUMNS
 RECOMMENDED PCB LAYOUT
 MIN BOARD THICKNESS 1.6

NONE	△	2057400-1
KEY POSITION	FINISH	PART NUMBER

THIS DRAWING IS A CONTROLLED DOCUMENT.		DWN B. CARBO 05JUNE2012		NAME IMPACT, 2 PAIR, DAUGHTERCARD 10 COLUMN, LEFT GUIDED, SIGNAL MODULE, 0.46 EYELET
DIMENSIONS: mm		CHK D. DIXON 05JUNE2012		
TOLERANCES UNLESS OTHERWISE SPECIFIED: 0 PLC ± 1 PLC ±0.2 2 PLC ±0.13 3 PLC ± 4 PLC ± ANGLES ±		APVD D. DIXON 05JUNE2012 PRODUCT SPEC APPLICATION SPEC		
MATERIAL SEE TABLE		WEIGHT SIZE CAGE CODE DRAWING NO A100779C=2057400		
FINISH		Customer Drawing	SCALE 6:1	SHEET 1 OF 1