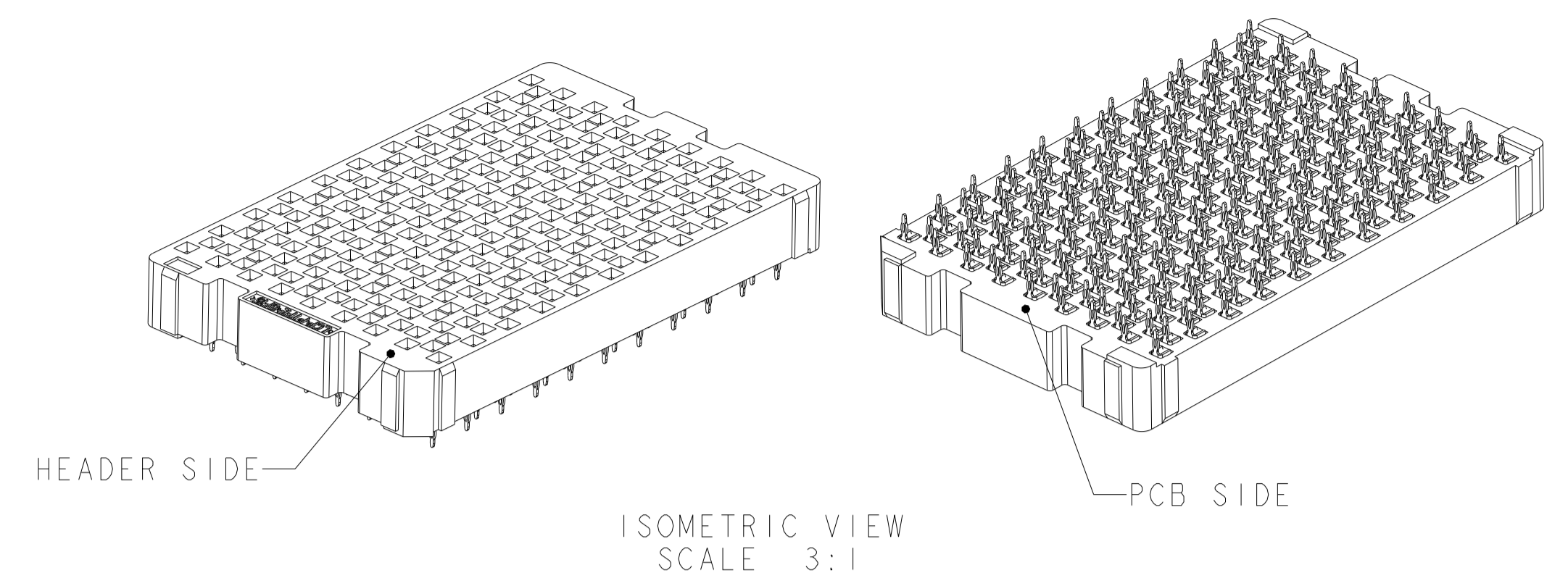
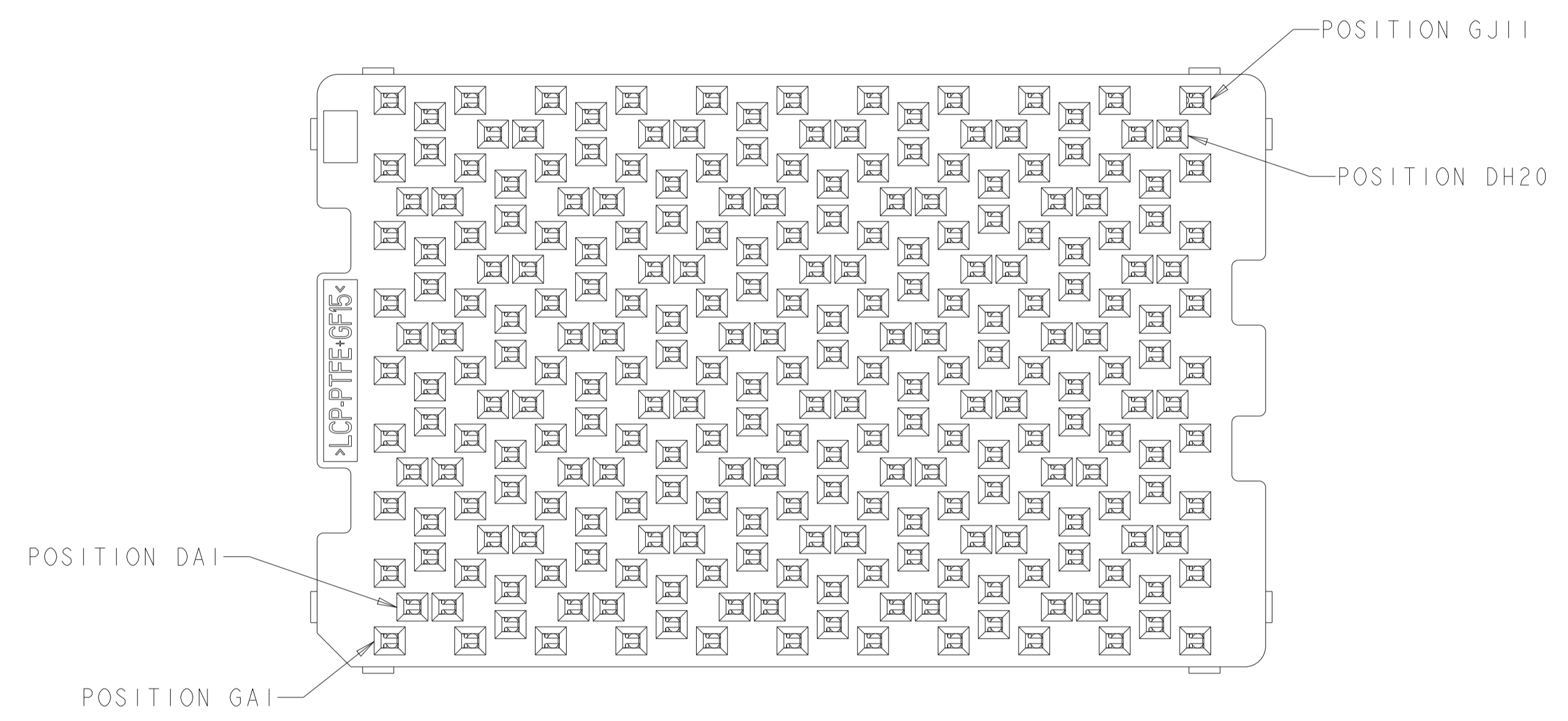


LOC	DIST	REVISIONS					
GP	00	P	LTN	DESCRIPTION	DATE	OWN	APVD
		B		ECR-21-122345	23NOV2022	TL	HL

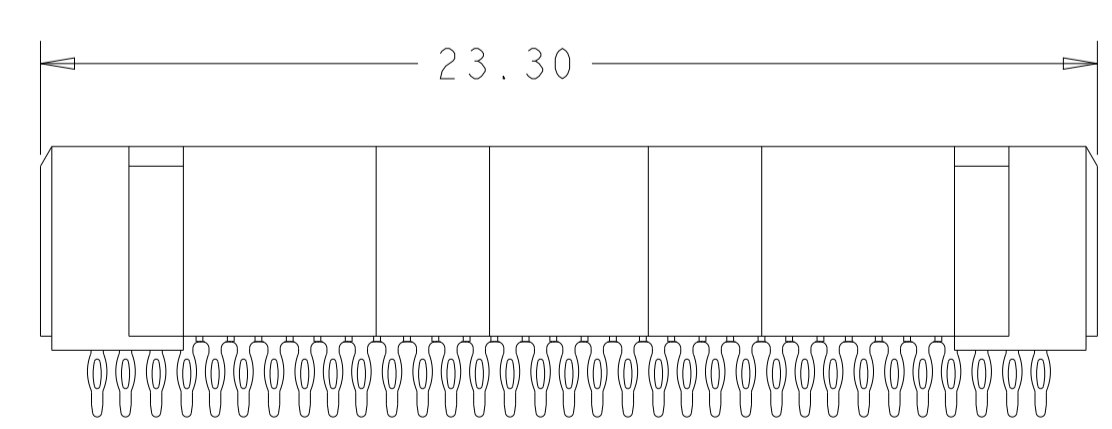
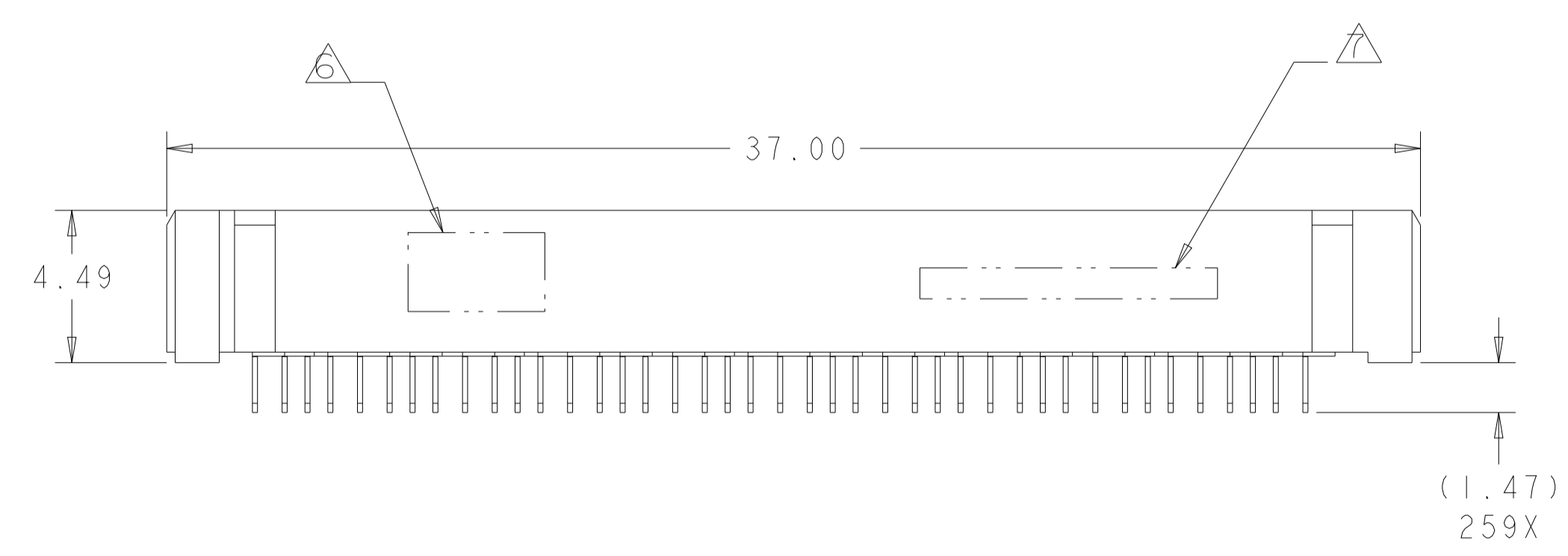


- 1 MATERIAL:
HOUSING: THERMOPLASTIC, FLAMMABILITY RATING UL94-VO
CONTACT: COPPER ALLOY
- 2 CONTACT PLATING: 0.076µm MIN GOLD OVER 0.69µm MIN PALLADIUM NICKEL, OVER 2.54-5.08µm NICKEL ON MATING AREA. 0.50-2.54µm 93/7 TIN-LEAD, OVER 1.27-5.08µm NICKEL ON TAIL AREA. PORE BLOCKER APPLIED TO MATING AREA.
- 3 CONTACT PLATING: 0.076µm MIN GOLD OVER 0.69µm MIN PALLADIUM NICKEL, OVER 2.54-5.08µm NICKEL ON MATING AREA. 0.50-2.54µm MATTE TIN, OVER 1.27-5.08µm NICKEL ON TAIL AREA. PORE BLOCKER APPLIED TO MATING AREA.
- 4 ROWS GA THRU GJ (SHOWN DARKENED) ARE TYPICALLY USED AS GROUNDS.
- 5 SPECIFIED POSITIONAL TOLERANCE DEFINES HOLE TO HOLE LOCATION WITHIN HOLE PATTERN. POSITIONAL TOLERANCE OF HOLE PATTERN TO FIDUCIAL MARKS OR PCB DATUMS SHALL BE DEFINED BY CUSTOMER.
- 6 AREA RESERVED FOR TE CONNECTIVITY LOGO.
- 7 AREA RESERVED FOR PART NUMBER (X-XXXXXX-X) AND DATE CODE (YYWW).
- 8 USE CENTERLINES INDICATED ON PCB HOLE PATTERN TO ESTABLISH ALIGNMENT BETWEEN HEADER AND RECEPTACLE BOARDS.
- 9 PLATED THROUGH HOLE REQUIREMENTS:
HOLE SIZE PRIOR TO PLATING = $\varnothing 0.420 \pm 0.013$
COPPER PLATING THICKNESS = 0.038 ± 0.013
CALCULATED FINISHED HOLE SIZE = $\varnothing 0.344 \pm 0.039$
THESE DIMENSIONS APPLY TO THE TOP 1.25mm OF THE PCB THICKNESS FROM THE CONNECTOR MOUNTING SIDE.



SIZE 2 HOUSING *
80 DIFFERENTIAL PAIRS
259 TOTAL SIGNAL CONTACTS

* SIZE 1 AND SIZE 3 ARE ALSO AVAILABLE



3	YES	MATTE Sn	5-2057361-1
2	OBSOLETE	Sn/Pb	2057361-1
FINISH	TOOLED	CONTACT TAIL PLATING	PART NUMBER

THIS DRAWING IS A CONTROLLED DOCUMENT.

OWN: D. RINGLER 03SEP2008
 CHK: D. TROUT 03SEP2008
 APVD: J. FEDDER 03SEP2008

TE Connectivity

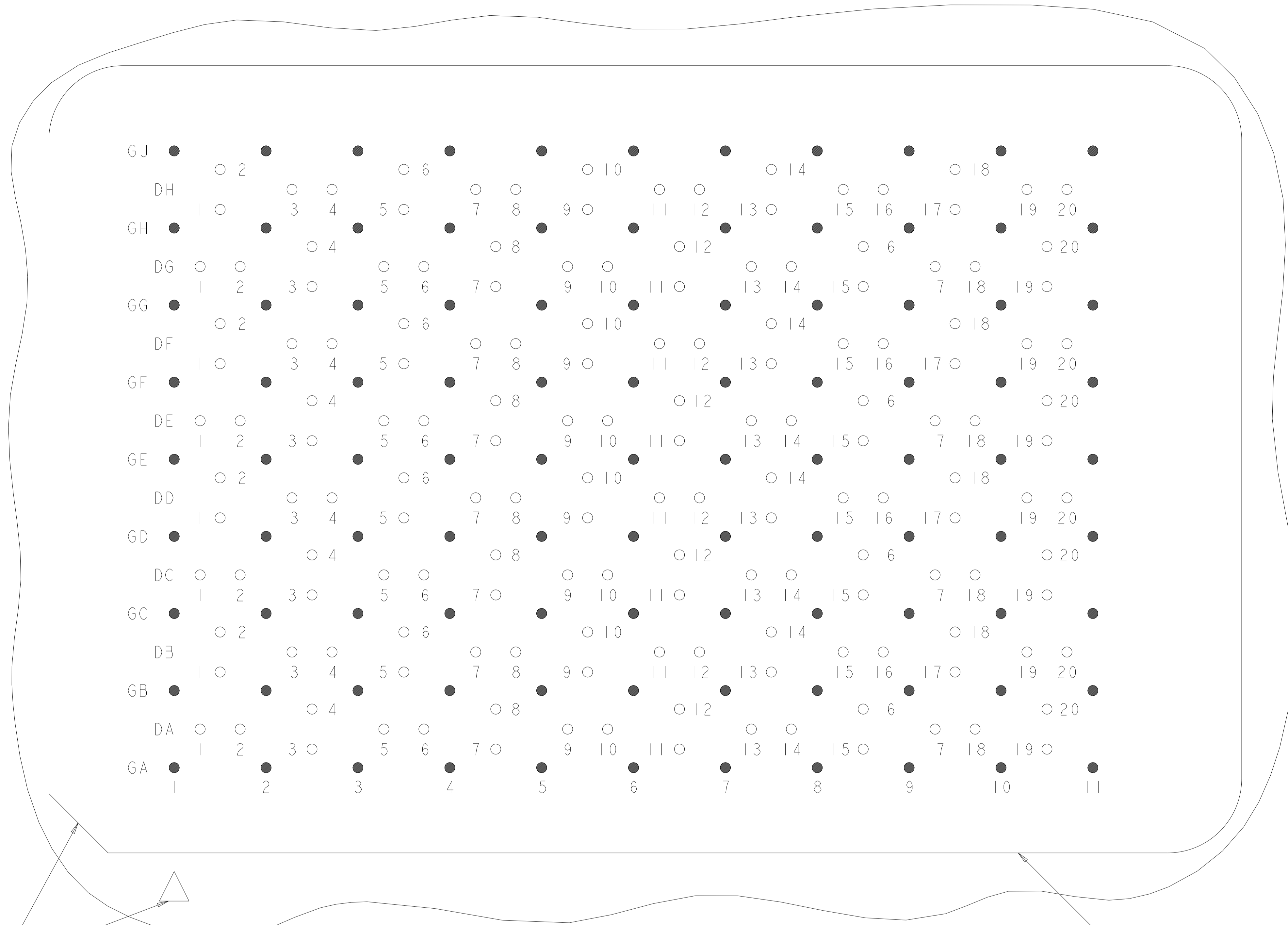
RECEPTACLE ASSEMBLY
 80/259 SIGNAL
 STRADA MESA MEZZANINE CONNECTOR

SIZE: A1 CAGE CODE: 114-13249 DRAWING NO: 100779 ©=2057361

MATERIAL: CUSTOMER DRAWING

SCALE: 4:1 SHEET 1 OF 3 REV B


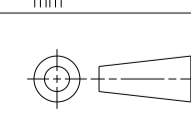
LOC	DIST	REVISIONS					
GP	00	P	LTN	DESCRIPTION	DATE	OWN	APVD
		-		SEE SHEET 1			



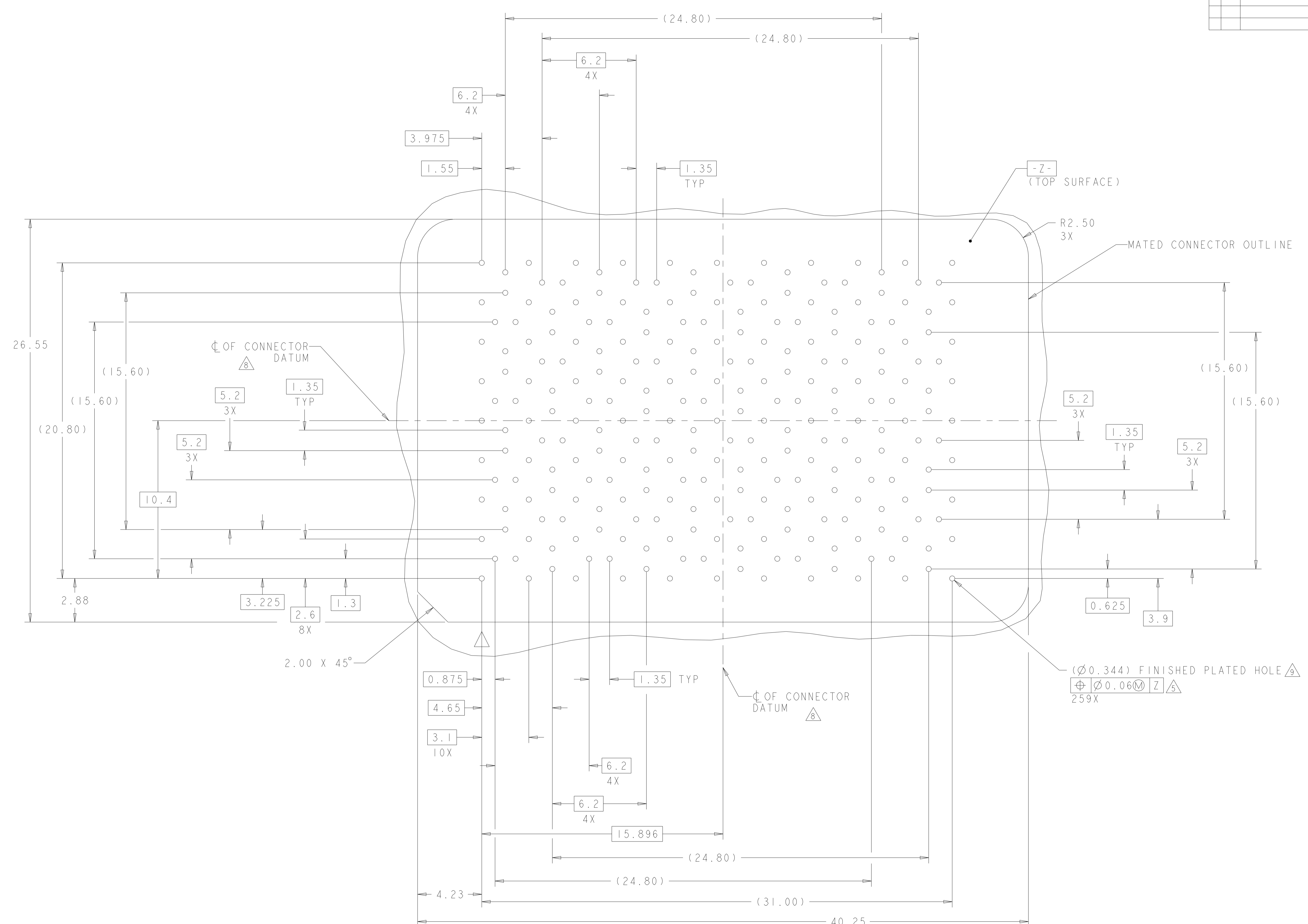
A1 CORNER INDICATORS.

MATED CONNECTOR OUTLINE SEE SHEET 3 FOR LOCATION TO HOLES

PCB LAYOUT AND PIN IDENTIFICATION 
 SHOWN FROM CONNECTOR SIDE
 SCALE 12:1

THIS DRAWING IS A CONTROLLED DOCUMENT.		OWN D. RINGLER 03SEP2008	 TE Connectivity
DIMENSIONS:		CHK D. TROUT 03SEP2008	
mm	TOLERANCES UNLESS OTHERWISE SPECIFIED:	APVD J. FEEDER 03SEP2008	NAME RECEPTACLE ASSEMBLY
	0 PLC ± 1 PLC ± 2 PLC ±0.13 3 PLC ±0.013 4 PLC ± ANGLES ±1	PRODUCT SPEC 108-2375	80/259 SIGNAL STRADA MESA MEZZANINE CONNECTOR
MATERIAL	FINISH	APPLICATION SPEC 114-13249	RESTRICTED TO
		WEIGHT	SIZE CAGE CODE DRAWING NO A1 00779 C=2057361
		Customer Drawing	SCALE 6:1 SHEET 2 OF 3 REV B

LOC		DIST		REVISIONS			
GP	00	P	LTN	DESCRIPTION	DATE	DWN	APVD
-	-	-	-	SEE SHEET 1	-	-	-



PCB HOLE PATTERN
 SHOWN FROM CONNECTOR SIDE
 SCALE 8:1

THIS DRAWING IS A CONTROLLED DOCUMENT.		DWN D. RINGLER 03SEP2008	TE Connectivity
DIMENSIONS:		CHK D. TROUT 03SEP2008	
mm	TOLERANCES UNLESS OTHERWISE SPECIFIED:	APVD J. FEDDER 03SEP2008	NAME RECEPTACLE ASSEMBLY 80/259 SIGNAL STRADA MESA MEZZANINE CONNECTOR
0 PLC ± 2 PLC ±0.13 3 PLC ±0.013 4 PLC ± ANGLES ±1 FINISH	MATERIAL WEIGHT SCALE 4:1	SIZE CAGE CODE DRAWING NO 114-13249 A100779C=2057361	RESTRICTED TO SHEET 3 OF 3 REV B