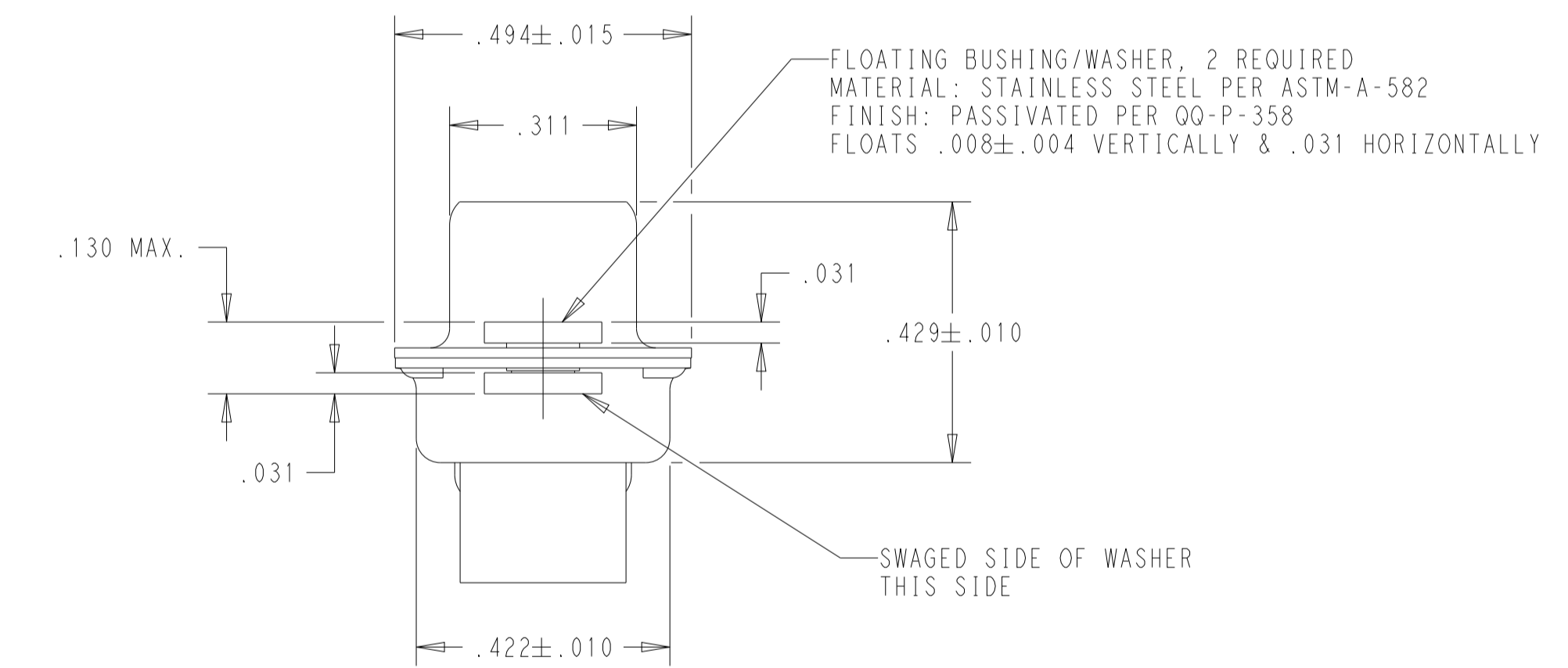
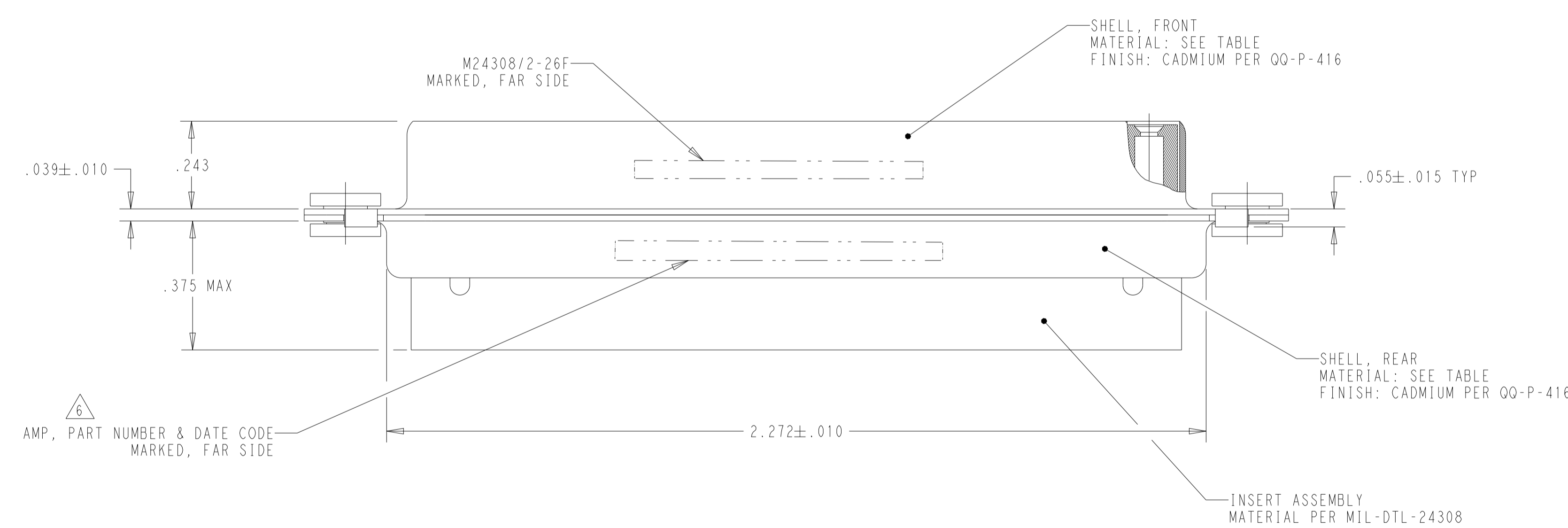
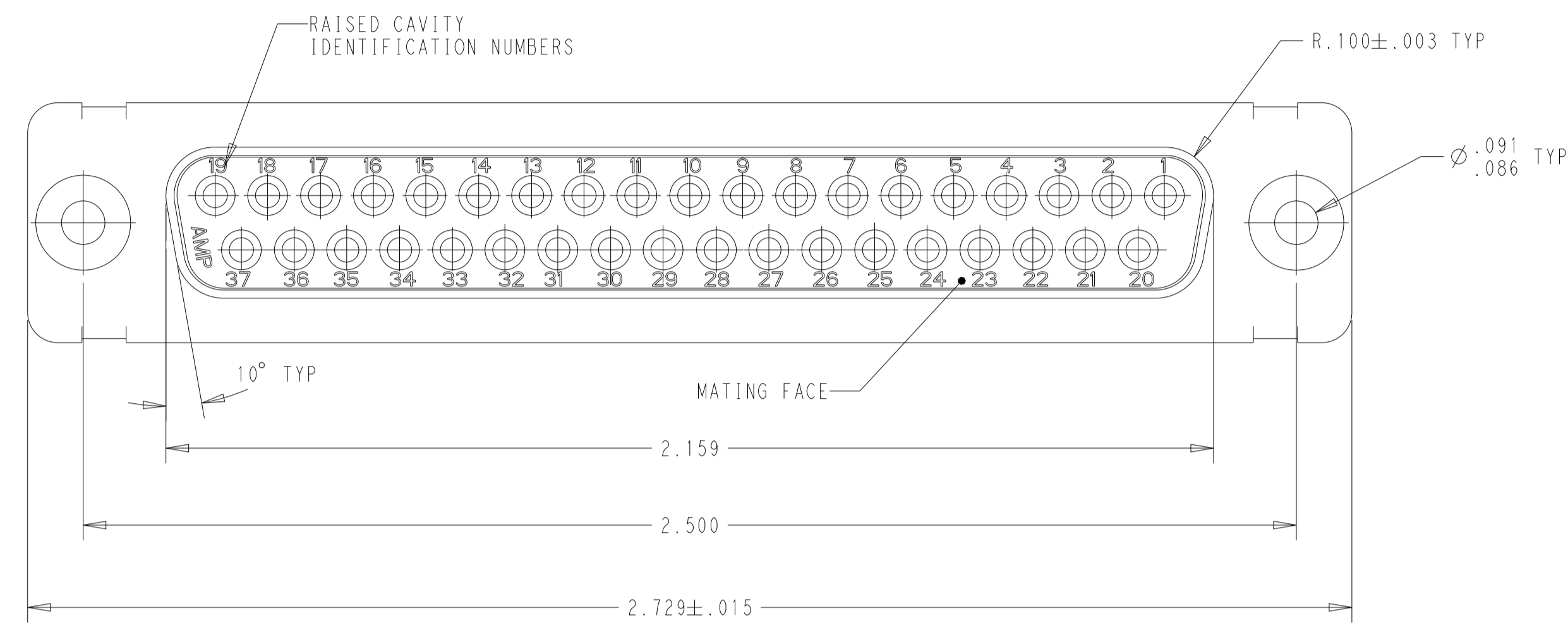


REVISIONS				
P	LTN	DESCRIPTION	DATE	APP'D
M		REV PER ECO 15-016062	5-17	KG CD
N		REVISED PER ECN-24-274752	10JUL2024	PE DS

WARNING - THIS DOCUMENT CONTAINS TECHNOLOGY WHOSE EXPORT IS RESTRICTED BY THE EXPORT ADMINISTRATION REGULATIONS ("EAR") PURSUANT TO 15 C.F.R. PARTS 730-774. VIOLATIONS OF THE EAR ARE SUBJECT TO SEVERE CRIMINAL PENALTIES UNDER THE EXPORT CONTROL REFORM ACT, AS AMENDED (TITLE 50, U.S.C., SEC. 4801, ET SEQ.).



- THIS RECEPTACLE IS DESIGNED TO CONFORM TO THE LATEST ISSUE OF MIL-C-24308.
 - MAX WIRE INSULATION TO BE USED WITH THIS RECEPTACLE IS Ø.068.
 - STAINLESS STEEL RETENTION CLIPS ARE INCLUDED IN INSERTS.
 - PACKAGE STAMPED M24308/2-295F.
 - THIS RECEPTACLE WILL ACCEPT SIZE 20 SOCKET CONTACT M24308/10 OR AMP # 205090.
- AMP PART NUMBER STAMPED ON CONNECTOR REPRESENTS KIT NUMBER WITH CONTACTS.

OBSOLETE	BRASS	205419-2
	STEEL PER ASTM-A-109	205419-1
	SHELL MATERIAL	PART NUMBER

THIS DRAWING IS A CONTROLLED DOCUMENT.		OWN: P. ESWARAMOORTHY	03 JUL 2024	
DIMENSIONS: INCHES		CHK: J. PARKE	APVD: D. SHIMMEL	
		TOLERANCES UNLESS OTHERWISE SPECIFIED:		NAME: AMPLIMITE RCPT. FOR SOCKET CONTACTS HI-DENSITY HDM-20 CONN SZ 4 (37 POSN) SER 109 W/FLOAT BUSHINGS
MATERIAL: SEE CALLOUTS		FINISH: SEE CALLOUTS		SIZE: A 00779 C=205419
		CUSTOMER DRAWING		SCALE: 4:1 SHEET 1 OF 1 REV N