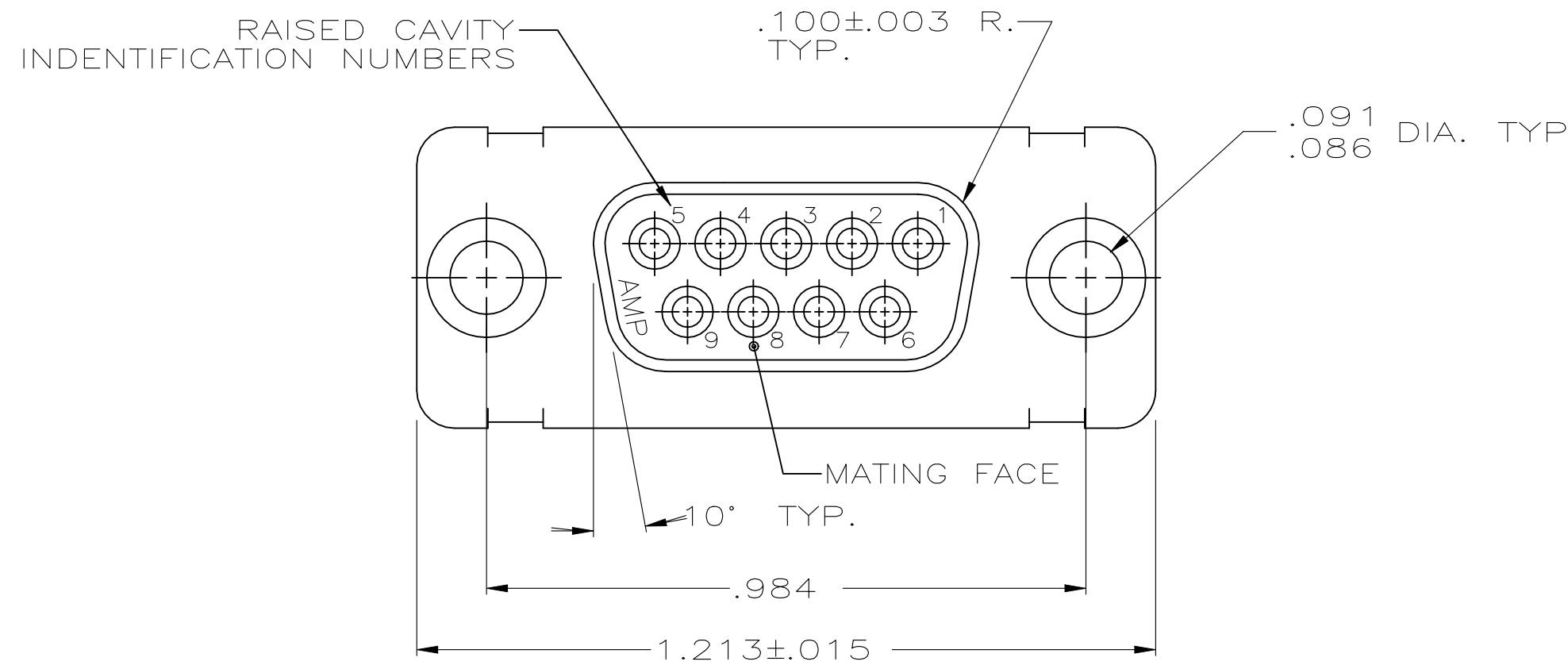
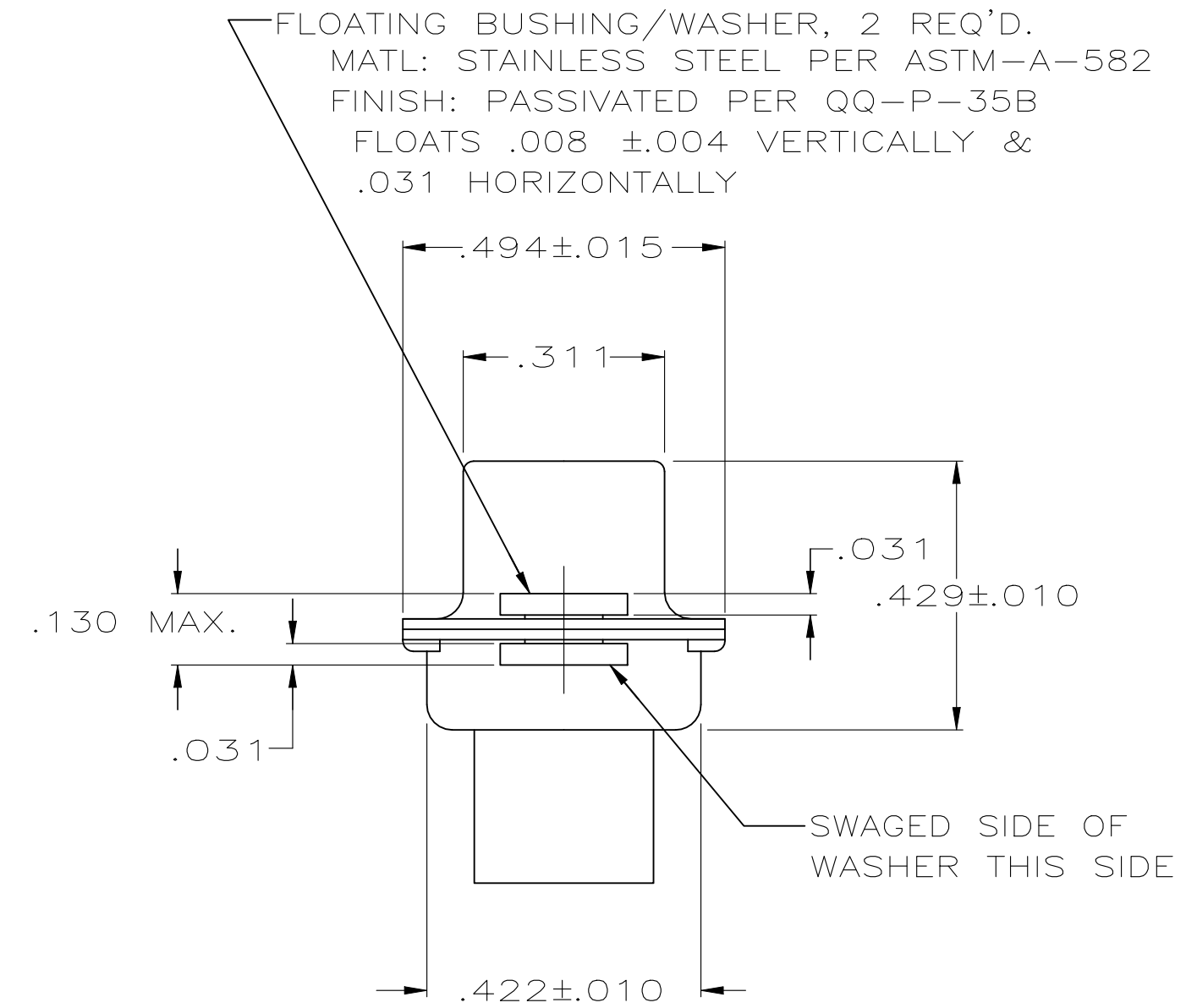
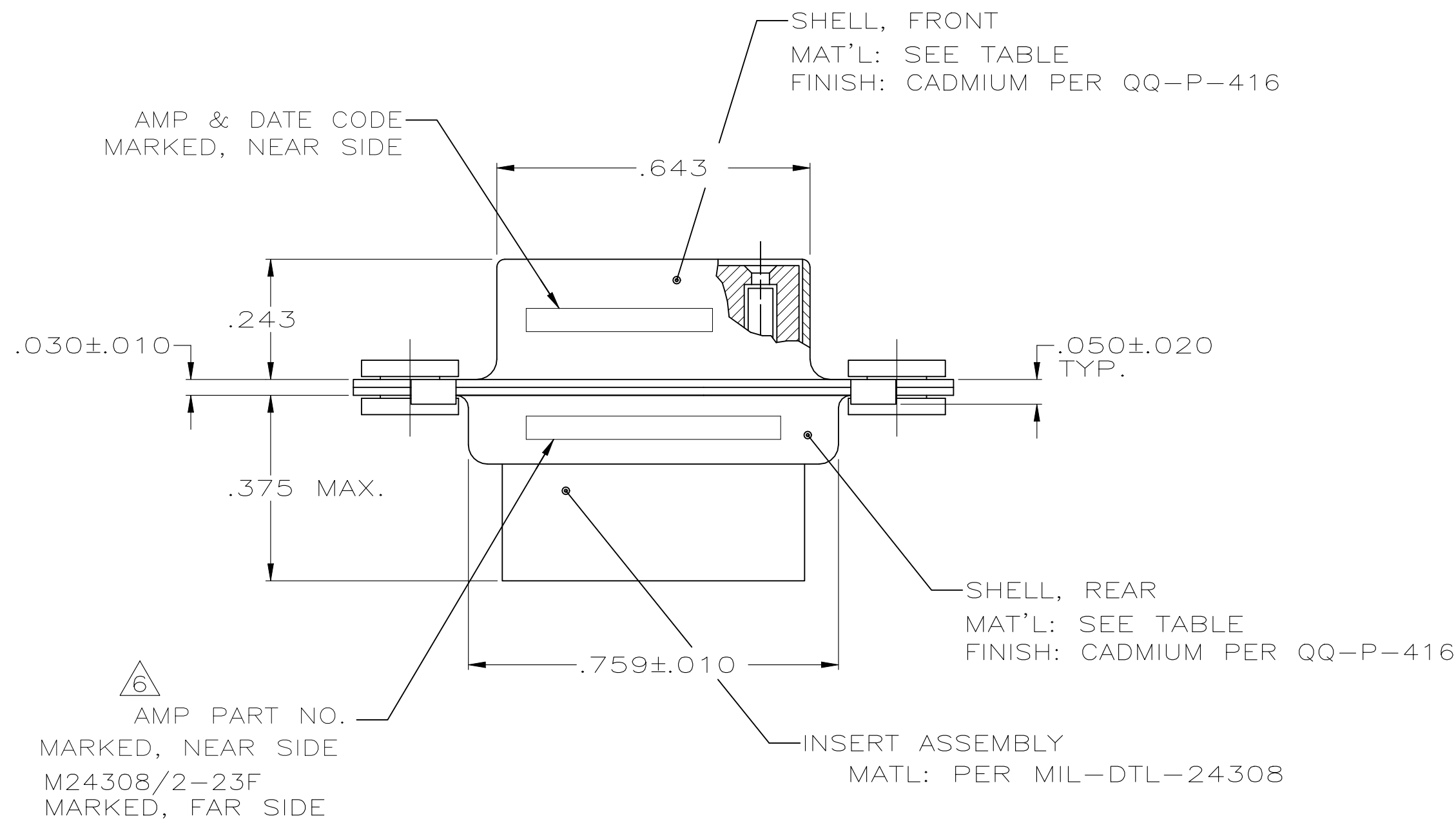


REVISIONS					
P	LTR	DESCRIPTION	DATE	DWN	APVD
P		REVISED PER ECN-24-266444	16MAY2024	PP	DS



WARNING - THIS DOCUMENT CONTAINS TECHNOLOGY WHOSE EXPORT IS RESTRICTED BY THE EXPORT ADMINISTRATION REGULATIONS ("EAR") PURSUANT TO 15 C.F.R. PARTS 730-774. VIOLATIONS OF THE EAR ARE SUBJECT TO SEVERE CRIMINAL PENALTIES UNDER THE EXPORT CONTROL REFORM ACT, AS AMENDED (TITLE 50, U.S.C., SEC. 4801, ET SEQ.).



- THIS RCPT. IS DESIGNED TO CONFORM TO THE LATEST ISSUE OF MIL-C-24308
 - MAX WIRE INSUL TO BE USED WITH THIS RCPT IS .068 DIA
 - STAINLESS STEEL RETENTION CLIPS ARE INCLUDED IN INSERTS
 - PACKAGE STAMPED M24308/2-292F
 - THIS RCPT. WILL ACCEPT SIZE 20 SOCKET CONTACT M24308/10 OR AMP # 205090
- AMP PART NO. STAMPED ON CONNECTOR REPRESENTS KIT NUMBER WITH CONTACTS

OBSOLETE	BRASS	205416-2
	STEEL PER ASTM-A-109	205416-1
	SHELL MAT'L	PART NUMBER

THIS DRAWING IS A CONTROLLED DOCUMENT.		DWN	C.C.THOMAS	12-9-87	TE Connectivity
DIMENSIONS: INCHES		CHK	FC BALLEW III	12-10-87	
TOLERANCES UNLESS OTHERWISE SPECIFIED:		APVD			RCPT. ASSY., AMPLIMITE, 9 POSN., SIZE 1, SERIES 109, W/DUAL FLOATING BUSHINGS
0 PLC ± -		PRODUCT SPEC			
1 PLC ± -		APPLICATION SPEC			SIZE CAGE CODE DRAWING NO RESTRICTED TO
2 PLC ± -					
3 PLC ± .005		WEIGHT			A2 00779 C=205416
4 PLC ± -					
ANGLES ± 0'30"		CUSTOMER DRAWING			SCALE 4:1 SHEET 1 OF 1 REV P
MATERIAL SEE CALLOUTS		FINISH SEE CALLOUTS			