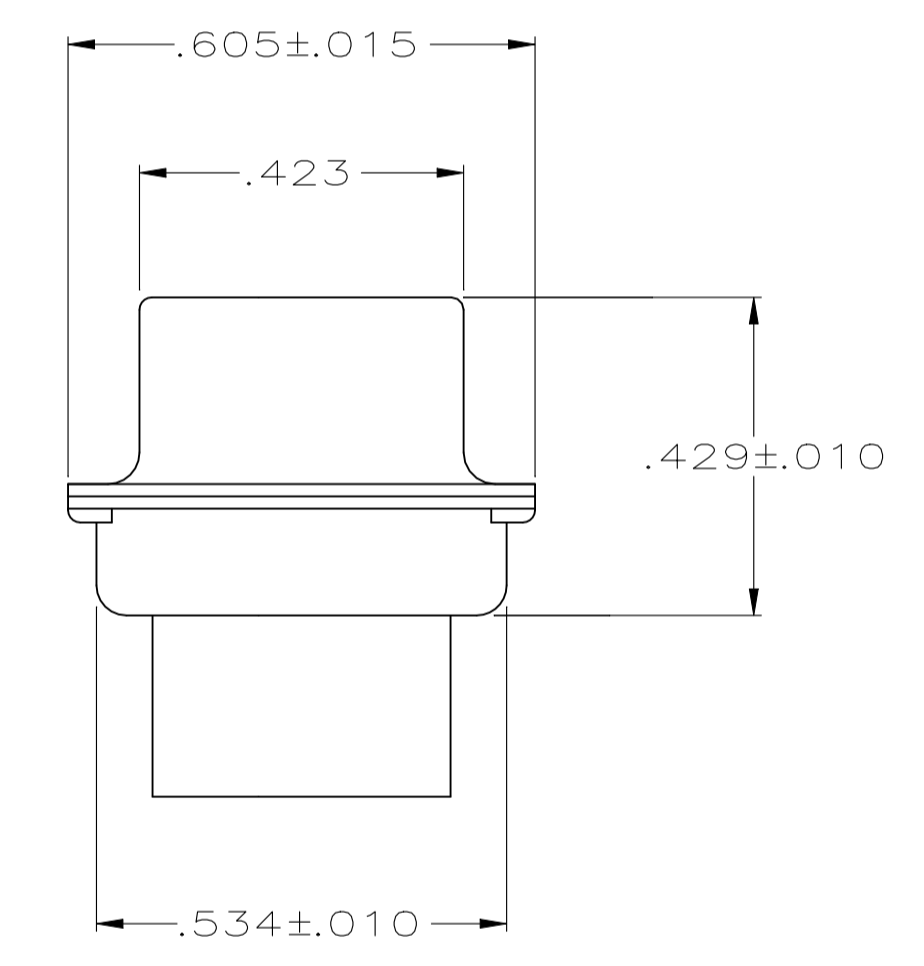
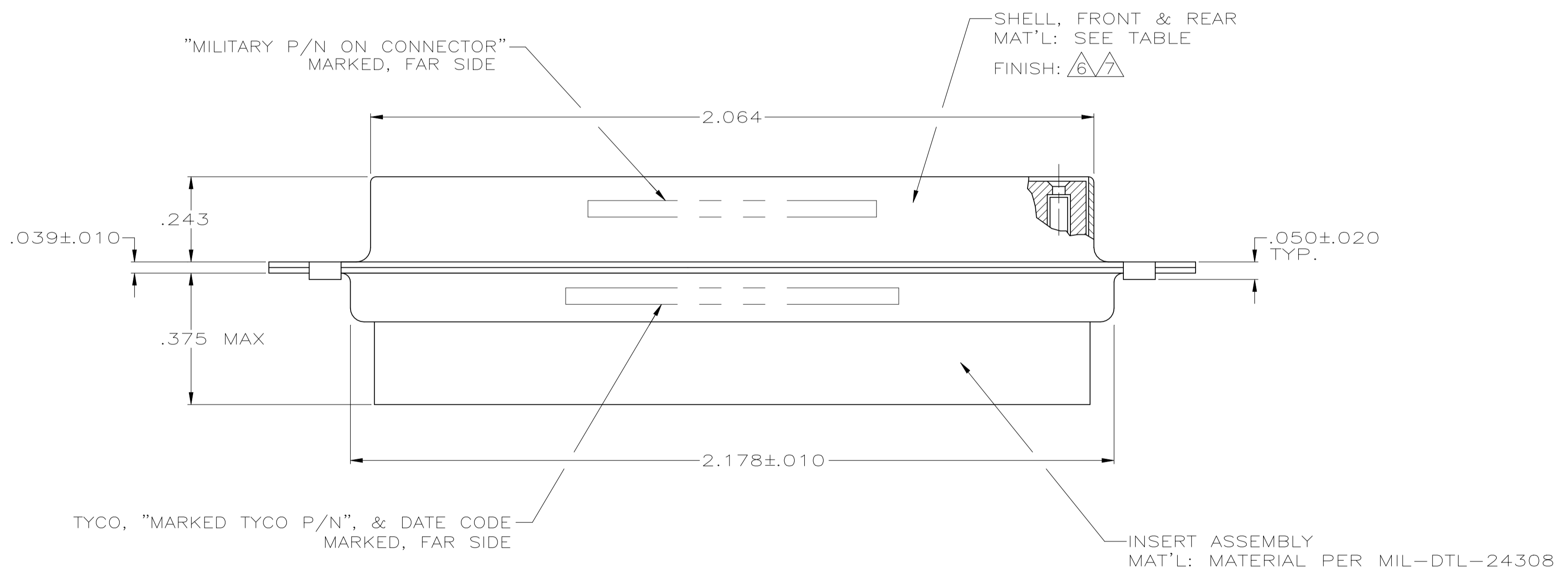
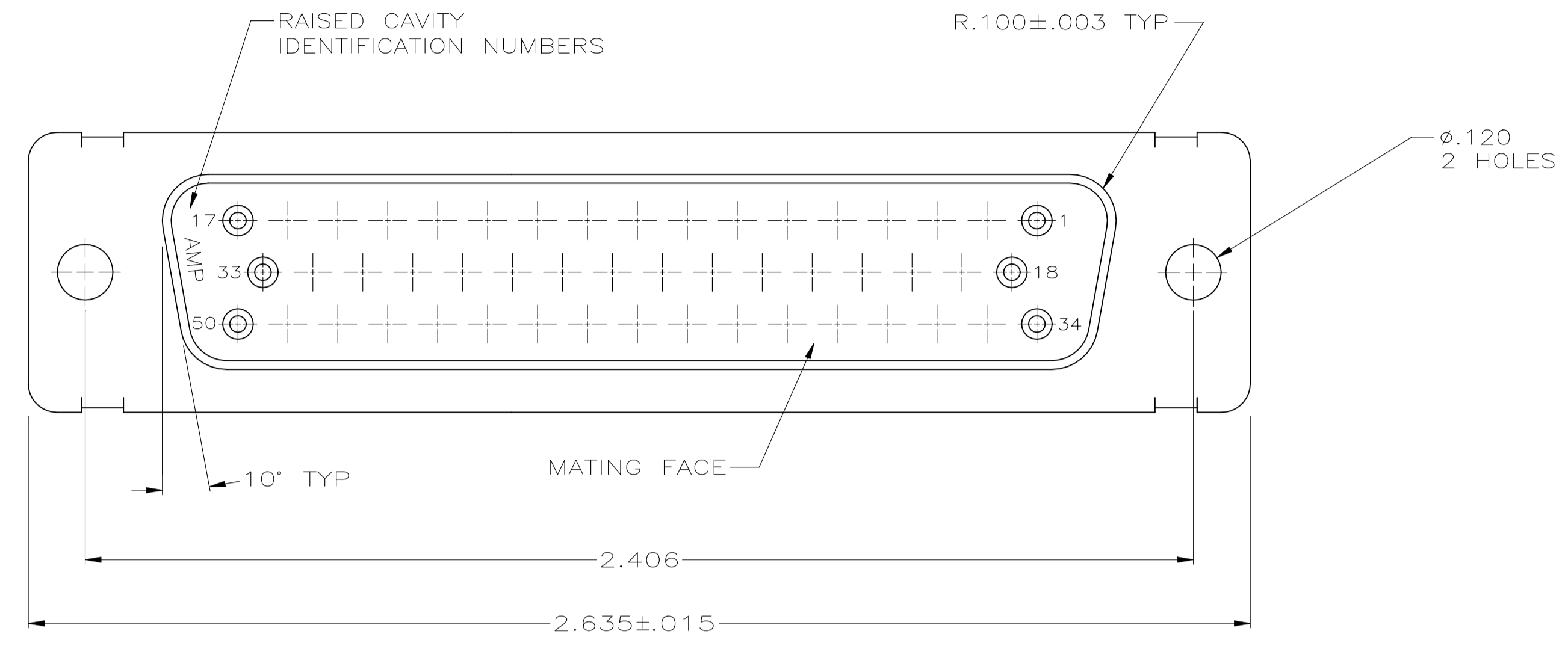


REVISIONS					
P	LTR	DESCRIPTION	DATE	DN	APVD
S		REVISED PER ECN-24-271171	17JUN2024	PE	DS

- THIS RCPT. IS DESIGNED TO CONFORM TO THE LATEST ISSUE OF MIL-C-24308.
 - MAX WIRE INSUL TO BE USED WITH THIS RCPT IS .068 DIA.
 - STAINLESS STEEL RETENTION CLIPS ARE INCLUDED IN INSERTS.
 - THIS RCPT. WILL ACCEPT SIZE 20 SOCKET CONTACT M39029/63-368 OR ANY TYCO HD-20 SOCKET CONTACT. CONTACTS ORDERED SEPARATELY.
- ⑤ TYCO PART NO. MARKED ON CONNECTOR REPRESENTS KIT NUMBER WITH CONTACTS.
 - ⑥ FINISH: CADMIUM PER QQ-P-416.
 - ⑦ FINISH: BRIGHT TIN PER ASTM-B-545 .000400-.000550 THK OVER COPPER PER AMS2418 .000050 MIN THK.



WARNING - THIS DOCUMENT CONTAINS TECHNOLOGY WHOSE EXPORT IS RESTRICTED BY THE EXPORT ADMINISTRATION REGULATIONS ("EAR") PURSUANT TO 15 C.F.R. PARTS 730-774. VIOLATIONS OF THE EAR ARE SUBJECT TO SEVERE CRIMINAL PENALTIES UNDER THE EXPORT CONTROL REFORM ACT, AS AMENDED (TITLE 50, U.S.C., SEC. 4801, ET SEQ.).

SUPSD BY 206805-2	-	-	-	-	-	BRASS	205169-2
M24308/2-285F	M24308/2-5F	205563-2	⑤	⑥		STEEL PER ASTM-A-109	205169-1
MILITARY P/N ON PACKAGE	MILITARY P/N ON CONNECTOR	TYCO P/N ON CONNECTOR	REMARKS	SHELL FINISH		SHELL MAT'L	PART NO.

THIS DRAWING IS A CONTROLLED DOCUMENT.

DIMENSIONS: INCHES	TOLERANCES UNLESS OTHERWISE SPECIFIED:	DIN MANJUNATH G. M. 27-May-15	TE Connectivity
0. PLC ± -	1. PLC ± -	CHK CHARLES THOMAS 27-May-15	
2. PLC ± -	3. PLC ± .005	APVD CHARLES THOMAS 27-May-15	NAME
4. PLC ANGLES ± 0°30'		PRODUCT SPEC	RECEPTACLE ASSEMBLY, AMPLIMITE, 50 POSITION, SIZE 5, SERIES 109
MATERIAL SEE CALLOUTS	FINISH SEE CALLOUTS	APPLICATION SPEC	RESTRICTED TO
		WEIGHT	SCALE 4:1 SHEET 1 OF 1 REV S
		SIZE CAGE CODE DRAWING NO. A1 00779 C=205169	
		CUSTOMER DRAWING	