


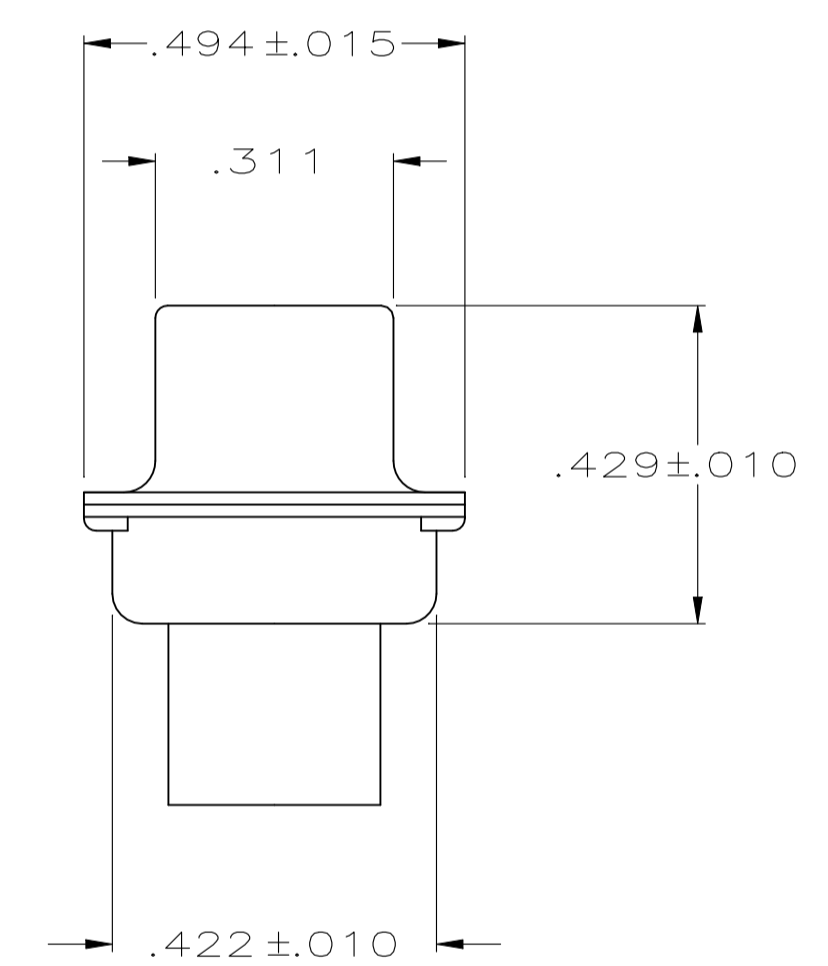
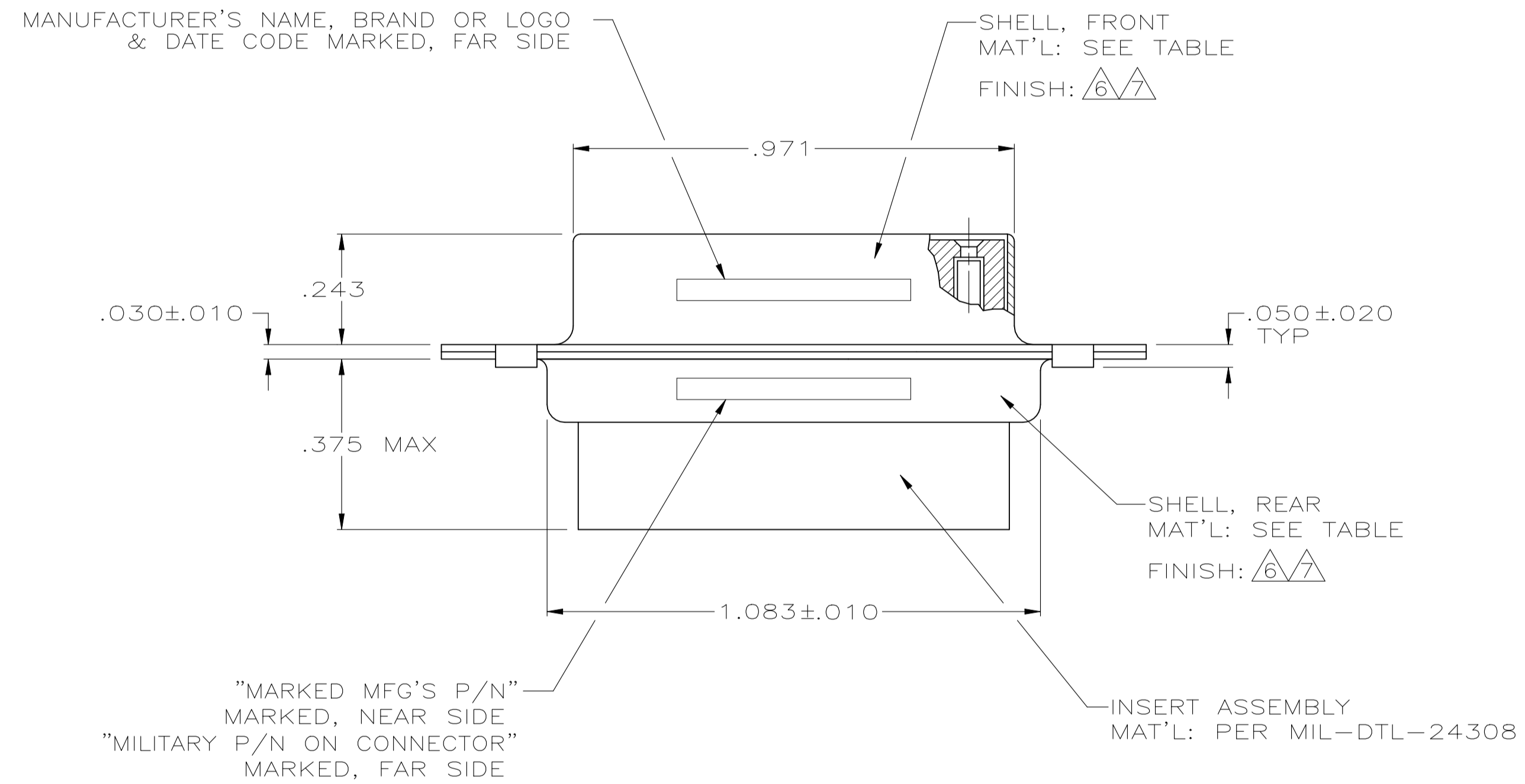
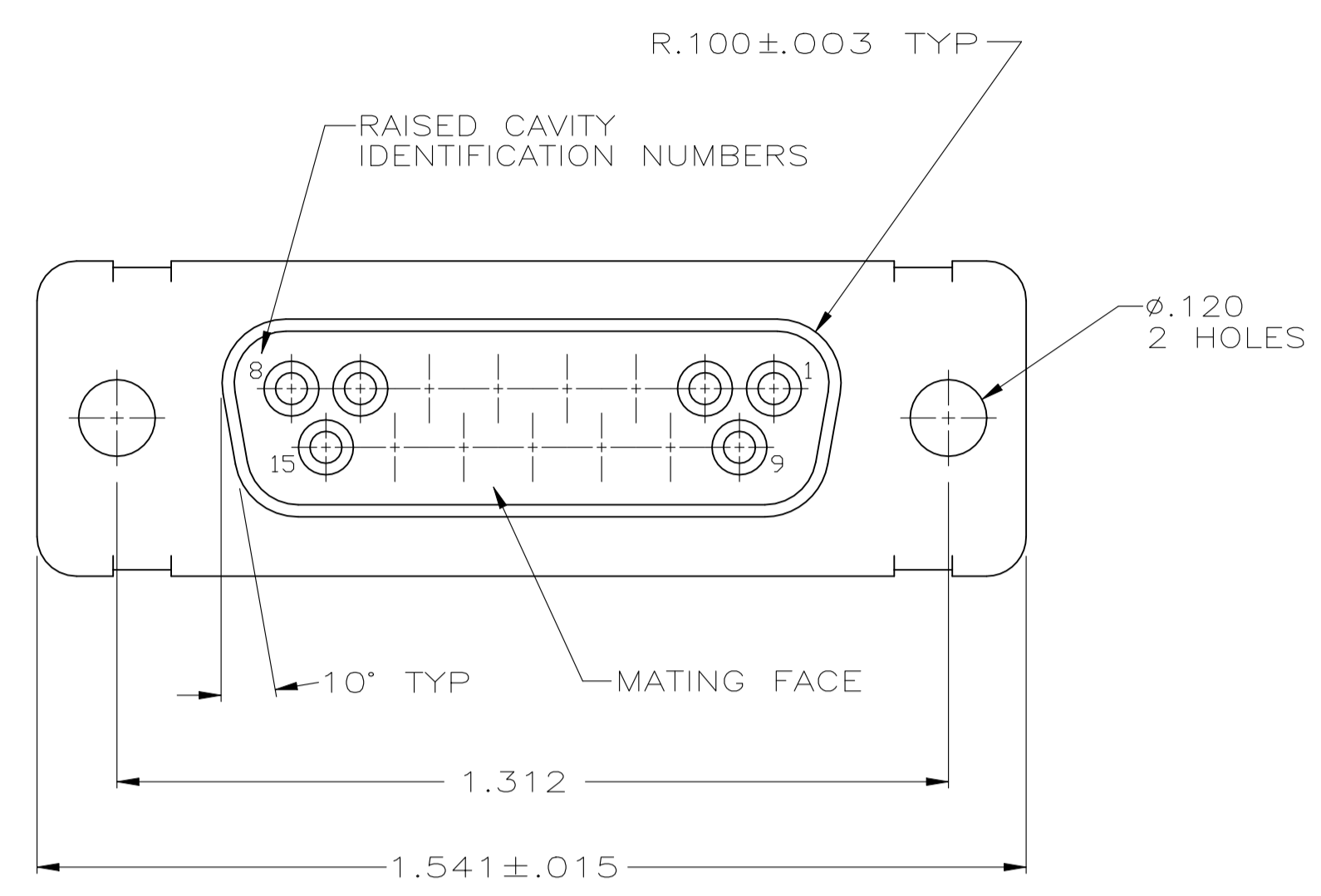






REVISIONS					
P	LTR	DESCRIPTION	DATE	DN	APVD
S		REVISED PER ECN-24-281706	27AUG2024	PE	DS



- THIS RCPT. IS DESIGNED TO CONFORM TO THE LATEST ISSUE OF MIL-C-24308.
 - MAX WIRE INSUL TO BE USED WITH THIS RCPT IS .068 DIA.
 - STAINLESS STEEL RETENTION CLIPS ARE INCLUDED IN INSERTS.
 - THIS RCPT. WILL ACCEPT SIZE 20 SOCKET CONTACT M39029/63-368 OR ANY TYCO HD-20 SOCKET CONTACT CONTACTS ORDERED SEPARATELY.
-  MFG'S PART NO. MARKED ON CONNECTOR REPRESENTS KIT NUMBER WITH CONTACTS.
 -  CADMIUM PER QQ-P-416.
 -  BRIGHT TIN PER ASTM-B-545 .000400-.000550 THK OVER COPPER PER AMS2418 .000050 MIN THK.



205163-5	-	-	-		STEEL PER ASTM-A-109	205163-5
205163-4	-	-	-		STEEL PER ASTM-A-109	205163-4
205163-3 OBSOLETE	-	-	-	-	STEEL PER ASTM-A-109	205163-3
SUPSD BY 206799-2	-	-	-	-	BRASS	205163-2
205557-2	M24308/2-282F	M24308/2-2F			STEEL PER ASTM-A-109	205163-1
MFG'S P/N MARKED ON CONNECTOR	MILITARY P/N ON PACKAGE	MILITARY P/N ON CONNECTOR	REMARKS	SHELL FINISH	SHELL MAT'L	PART NO.

WARNING - THIS DOCUMENT CONTAINS TECHNOLOGY WHOSE EXPORT IS RESTRICTED BY THE EXPORT ADMINISTRATION REGULATIONS ("EAR") PURSUANT TO 15 C.F.R. PARTS 730-774. VIOLATIONS OF THE EAR ARE SUBJECT TO SEVERE CRIMINAL PENALTIES UNDER THE EXPORT CONTROL REFORM ACT, AS AMENDED (TITLE 50, U.S.C., SEC. 4801, ET SEQ.).

THIS DRAWING IS A CONTROLLED DOCUMENT.

DIMENSIONS: INCHES	TOLERANCES UNLESS OTHERWISE SPECIFIED:	DIN C.C.THOMAS 12-DEC-87	 TE Connectivity
	0. PLC ± -	CHK F.C.BALLEW 10-DEC-87	
	1. PLC ± -	APVD F.C.BALLEW 10-DEC-87	NAME
	2. PLC ± -		PRODUCT SPEC
	3. PLC ± .005		APPLICATION SPEC
	4. PLC ANGLES ± 0°30'		SIZE
MATERIAL SEE CALLOUTS	FINISH SEE CALLOUTS	WEIGHT	SCALE
		A1 00779	4:1
		205163	SHEET 1 of 1
			REV S

CUSTOMER DRAWING