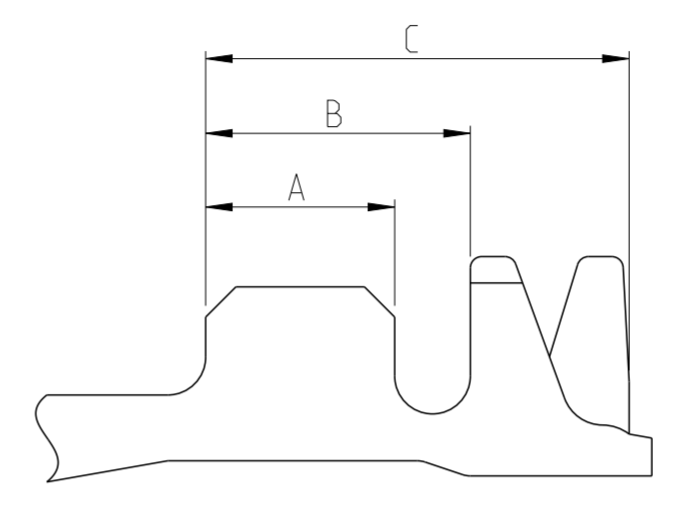
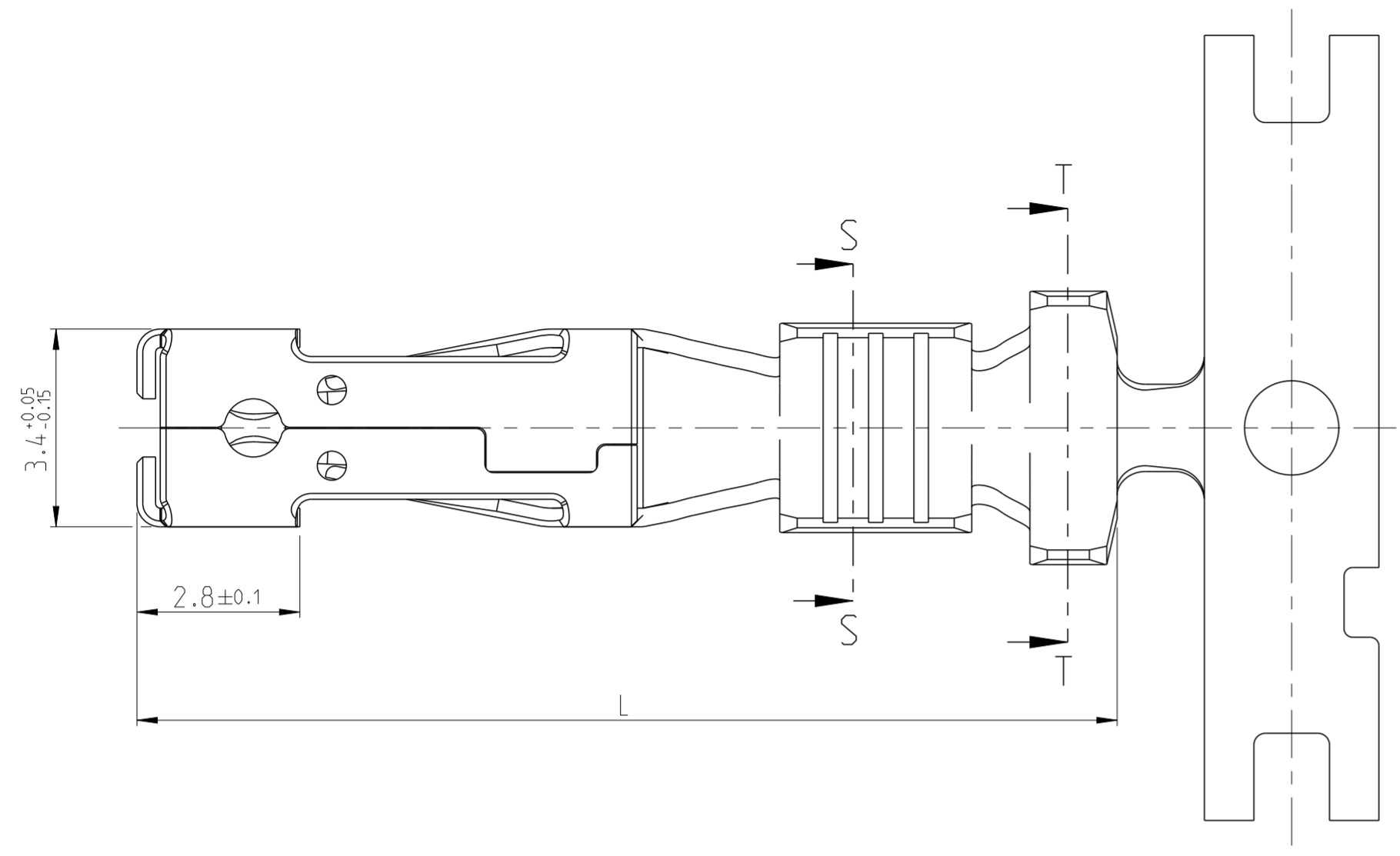


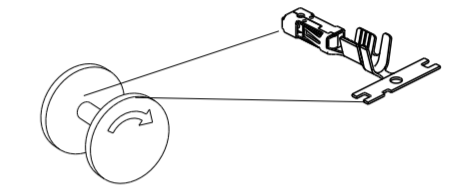
THIS DRAWING IS UNPUBLISHED. RELEASED FOR PUBLICATION 20
 © COPYRIGHT 20 BY - ALL RIGHTS RESERVED.

LOC		DIST		REVISIONS				
P	LTR	DESCRIPTION	DATE	DWN	APVD			
ES	00							
	1	PRELIMINARY	15JUN11	Y.Y	K.O			
	2	CHANGE REELING DIRECTION	07NOV11	Y.Y	-			
	A	REMOVE AUXILIARY HOLE	20MAR15	O.Z	I.Y			
	A1	ADD THE MISSING DIMENSIONS	05JUL16	F.Y	I.Y			

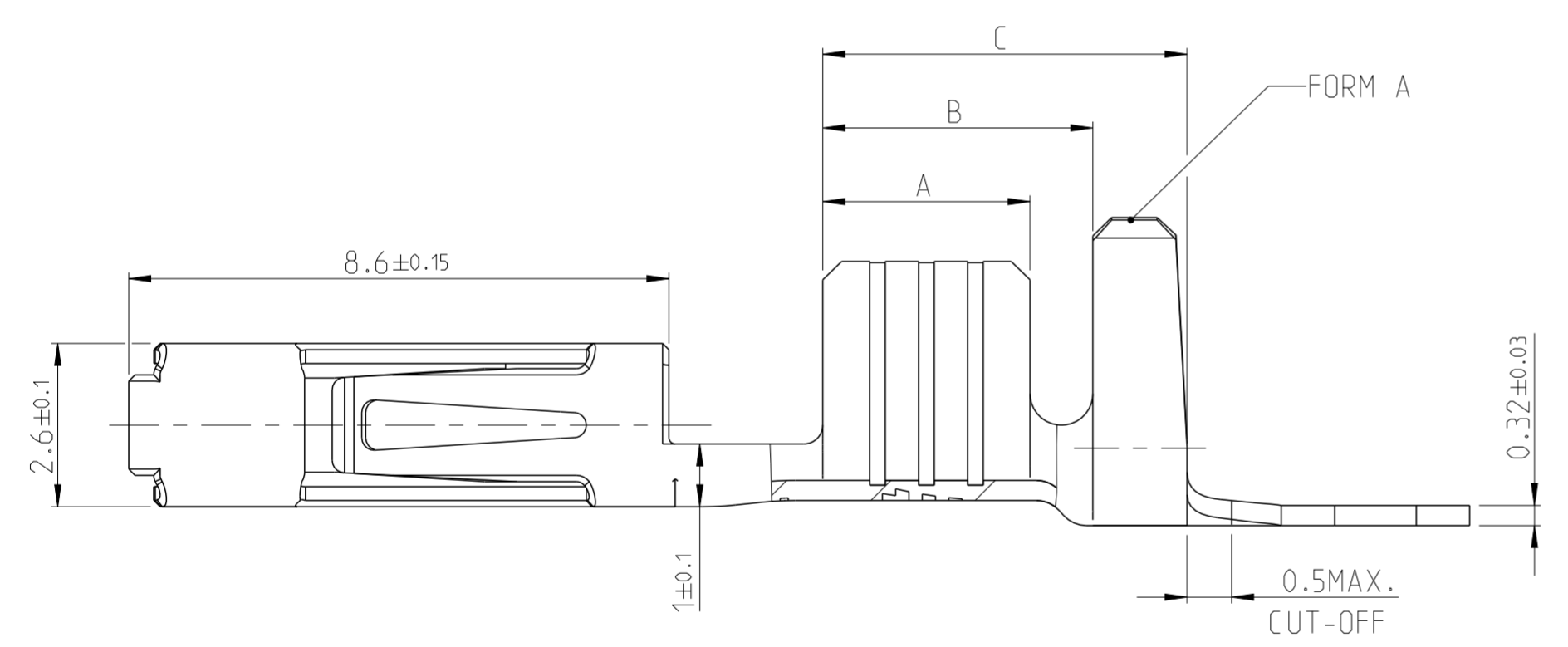


FORM B

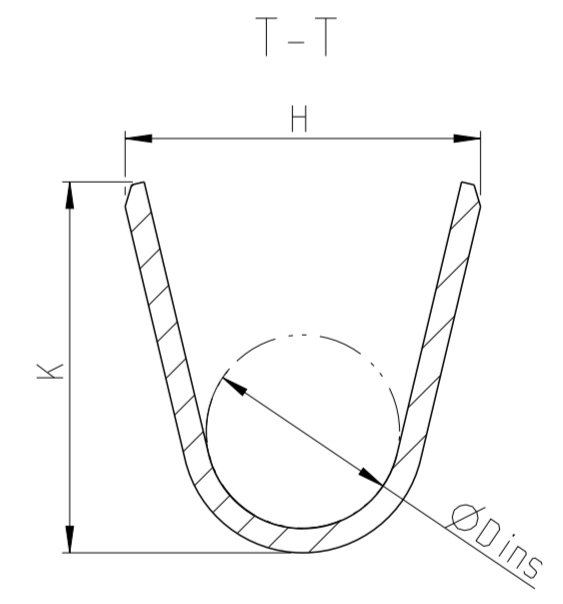
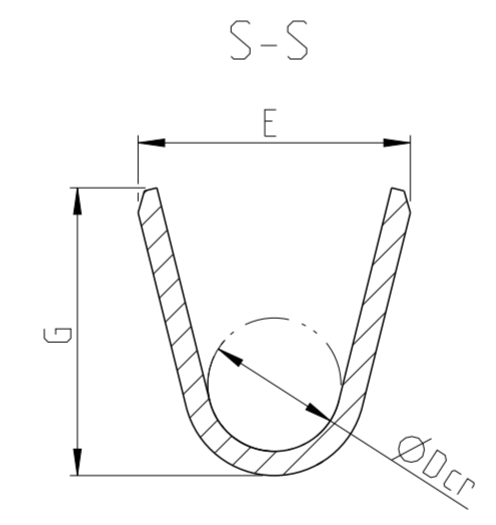
NOTE:
 1. -3 AS SHOWN
 2. REELING DIRECTION:



3. DESIGN FOR FLR-CABLE;
 FOR SPECIAL WIRE APPLICATION,
 PLEASE CONTACT TE



FORM A



Form	Order No.	Order No. Loose Piece	Wire Range (mm)	Insulation Ø	Material	Surface	Length (±0.5)	Wire Crimp	Insulation Crimp	Crimp Data
Form A	2050862-3	-	>1.0-2.5	2.2-3.0	CuSn4	Tin Plated	A=3.3 B=4.3 C=5.8 L=16.80	E=3.6 G=3.8 Dcr=1.8	H=4.7 K=4.9 Dins=2.6	Same As TE 'JPT' Contact See Application Specification 114-18050
Form A	2050862-2	-	0.5-1.0	1.4-2.1	CuSn4	Tin Plated	A=3 B=4 C=5.5 L=16.85	E=2.5 G=2.7 Dcr=1.2	H=3.7 K=3.9 Dins=1.8	
Form B	2050862-1	-	0.2-0.5	1.15-1.6	CuSn4	Tin Plated	A=2.5 B=3.5 C=5.6 L=16.91	E=2.4 G=2.3 Dcr=1	H=2.9 K=2.9 Dins=1.4	
Remark	Order No. Strip	Order No. Loose Piece	Wire Range (mm)	Insulation Ø	Material	Surface	Dimension; General Tolerance ±0.3			Crimp Data

	A1	ECR-16-009651	05JUL16	F.Y	I.Y
	A	ECR-15-03-014	20MAR15	O.Z	I.Y
	2	ECR-11-022556	07NOV11	Y.Y	K.O
P	LTR	REVISION RECORD	DATE	DWN	APVD

THIS DRAWING IS A CONTROLLED DOCUMENT. DWN: Y. YANG, 14 JUN 2011

DIMENSIONS: mm. TOLERANCES UNLESS OTHERWISE SPECIFIED: 0 PLC ±0.1, 1 PLC ±0.1, 2 PLC ±0.1, 3 PLC ±0.1, 4 PLC ±0.1. ANGLES FINISH: ±°

MATERIAL: CuSn4. FINISH: Sn

APVD: K. ODA, 15 JUN 2011

PRODUCT SPEC: 108-101192

APPLICATION SPEC: 114-18050

WEIGHT: -

CUSTOMER DRAWING

TE Connectivity

NAME: 1.5mm RECTANGLE CONTACT

SIZE: A2, CAGE CODE: 00779, DRAWING NO: C-2050862, RESTRICTED TO: -

SCALE: 10:1, SHEET: 1 OF 1, REV: A1