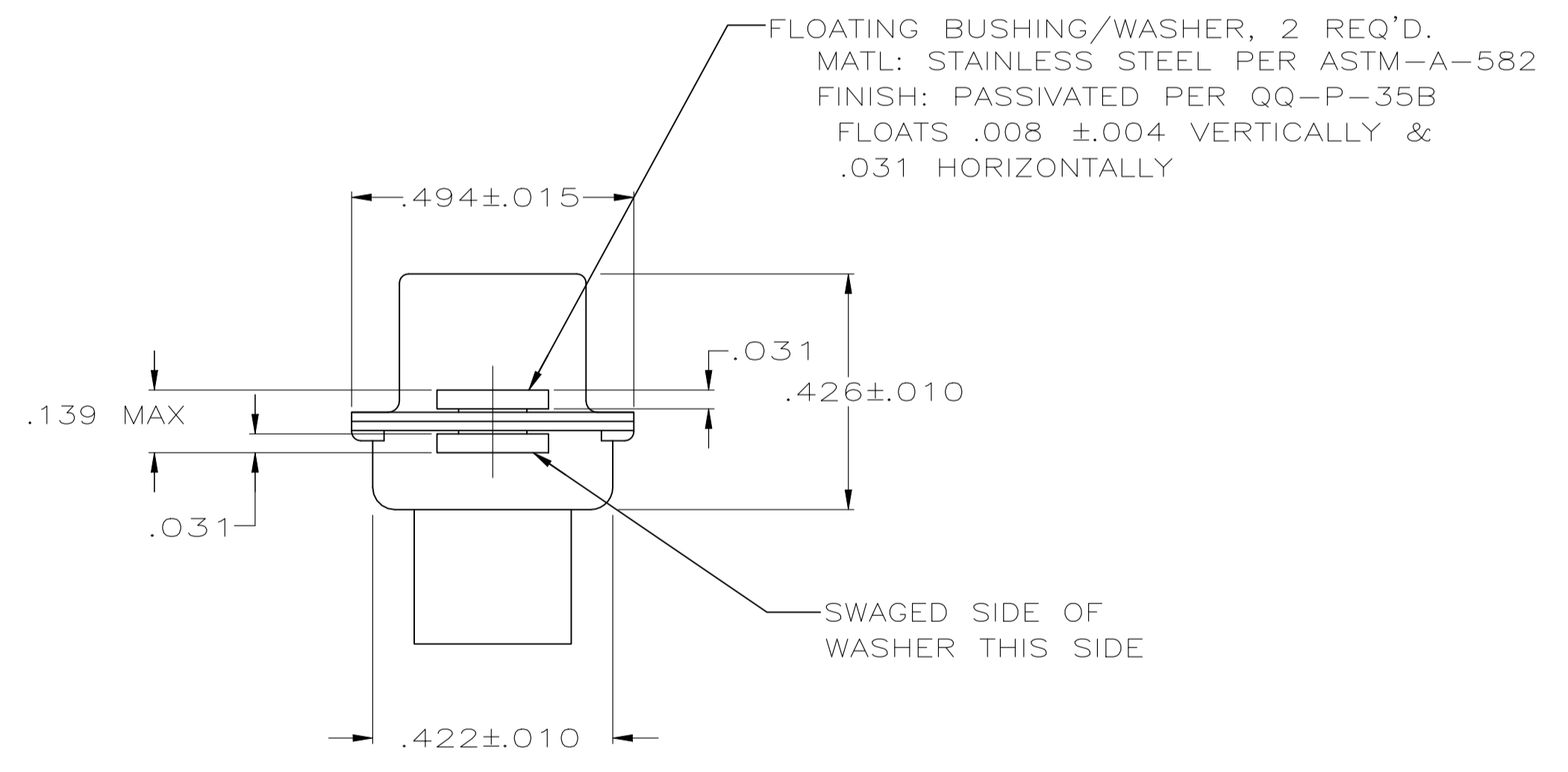
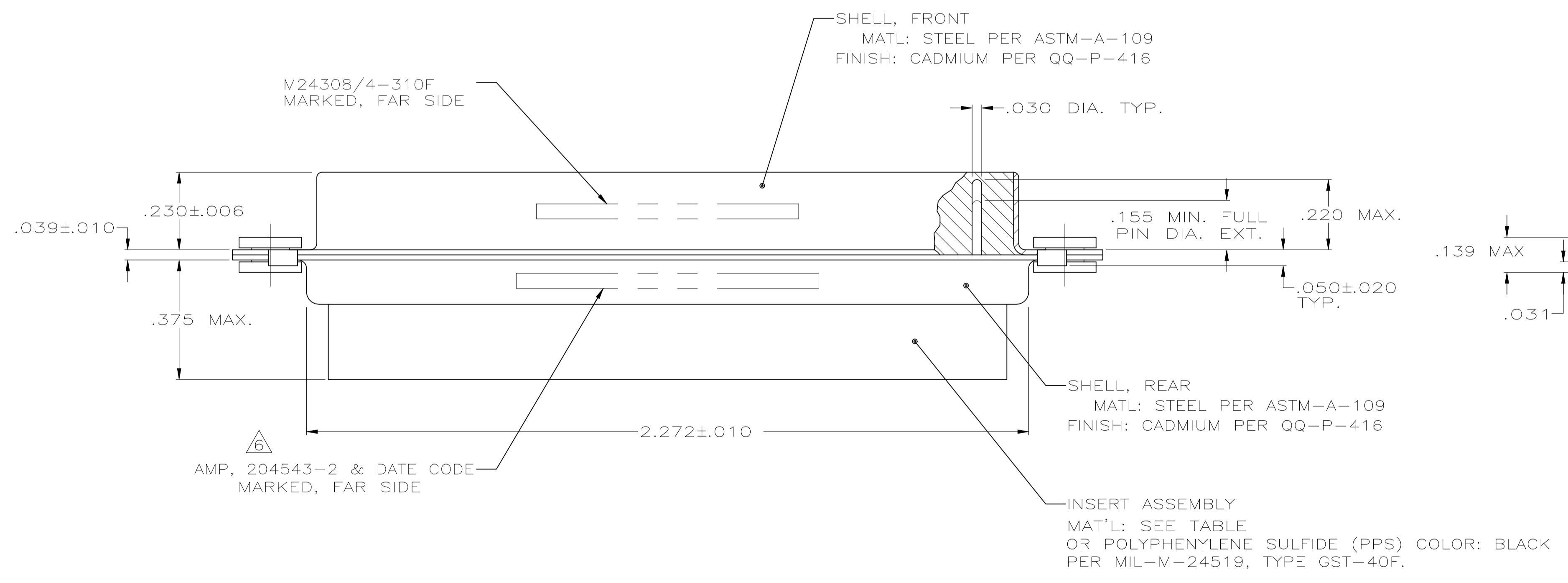
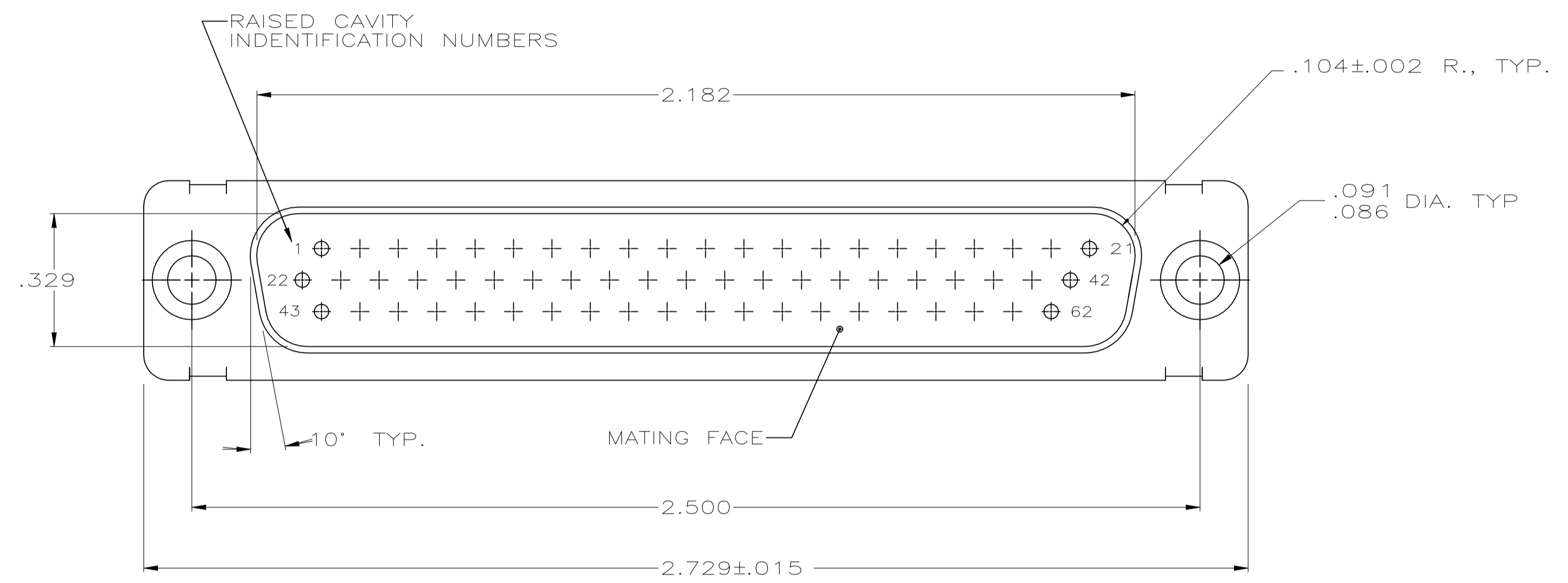


REVISIONS					
#	LR	DESCRIPTION	DATE	DWN	APVD
S		REVISED PER ECN-24-268103	28MAY2024	PE	DS

WARNING - THIS DOCUMENT CONTAINS TECHNOLOGY WHOSE EXPORT IS RESTRICTED BY THE EXPORT ADMINISTRATION REGULATIONS ("EAR") PURSUANT TO 15 C.F.R. PARTS 730-774. VIOLATIONS OF THE EAR ARE SUBJECT TO SEVERE CRIMINAL PENALTIES UNDER THE EXPORT CONTROL REFORM ACT, AS AMENDED (TITLE 50, U.S.C., SEC. 4801, ET SEQ.).



- THIS PLUG IS DESIGNED TO CONFORM TO THE LATEST ISSUE OF MIL-C-24308
  - MAX WIRE INSUL. TO BE USED WITH THIS PLUG IS .054 DIA.
  - METAL RETENTION CLIPS ARE INCLUDED IN INSERTS
  - PACKAGE MARKED M 24308/4-332F
  - THIS PLUG WILL ACCEPT SIZE 22 PIN CONTACT M 24308/13 OR AMP # 204370
- AMP PART NO. MARKED ON CONNECTOR REPRESENTS KIT NUMBER WITH CONTACTS

THIS DRAWING IS A CONTROLLED DOCUMENT.		DWN C.C. THOMAS 12-4-87	TE Connectivity																								
DIMENSIONS: INCHES		CHK F.C. BALLEW III 1-25-88	NAME PLUG ASSEMBLY, AMPLIMITE, 62 POSITION, SZ 4, SERIES 90 W/DUAL FLOATING BUSHINGS																								
TOLERANCES UNLESS OTHERWISE SPECIFIED:		APVD F.C. BALLEW III 1-25-88	PRODUCT SPEC																								
<table border="1"> <tr><td>0</td><td>PLC</td><td>±</td><td>-</td></tr> <tr><td>1</td><td>PLC</td><td>±</td><td>-</td></tr> <tr><td>2</td><td>PLC</td><td>±</td><td>-</td></tr> <tr><td>3</td><td>PLC</td><td>±</td><td>0.005</td></tr> <tr><td>4</td><td>PLC</td><td>±</td><td>-</td></tr> <tr><td colspan="2">ANGLES</td><td>±</td><td>0°30'</td></tr> </table>		0	PLC	±	-	1	PLC	±	-	2	PLC	±	-	3	PLC	±	0.005	4	PLC	±	-	ANGLES		±	0°30'	APPLICATION SPEC	
0	PLC	±	-																								
1	PLC	±	-																								
2	PLC	±	-																								
3	PLC	±	0.005																								
4	PLC	±	-																								
ANGLES		±	0°30'																								
MATERIAL SEE CALLOUTS		FINISH SEE CALLOUTS	WEIGHT 0.000000	RESTRICTED TO																							
CUSTOMER DRAWING		SCALE 4:1	SHEET 1 of 1	REV S																							