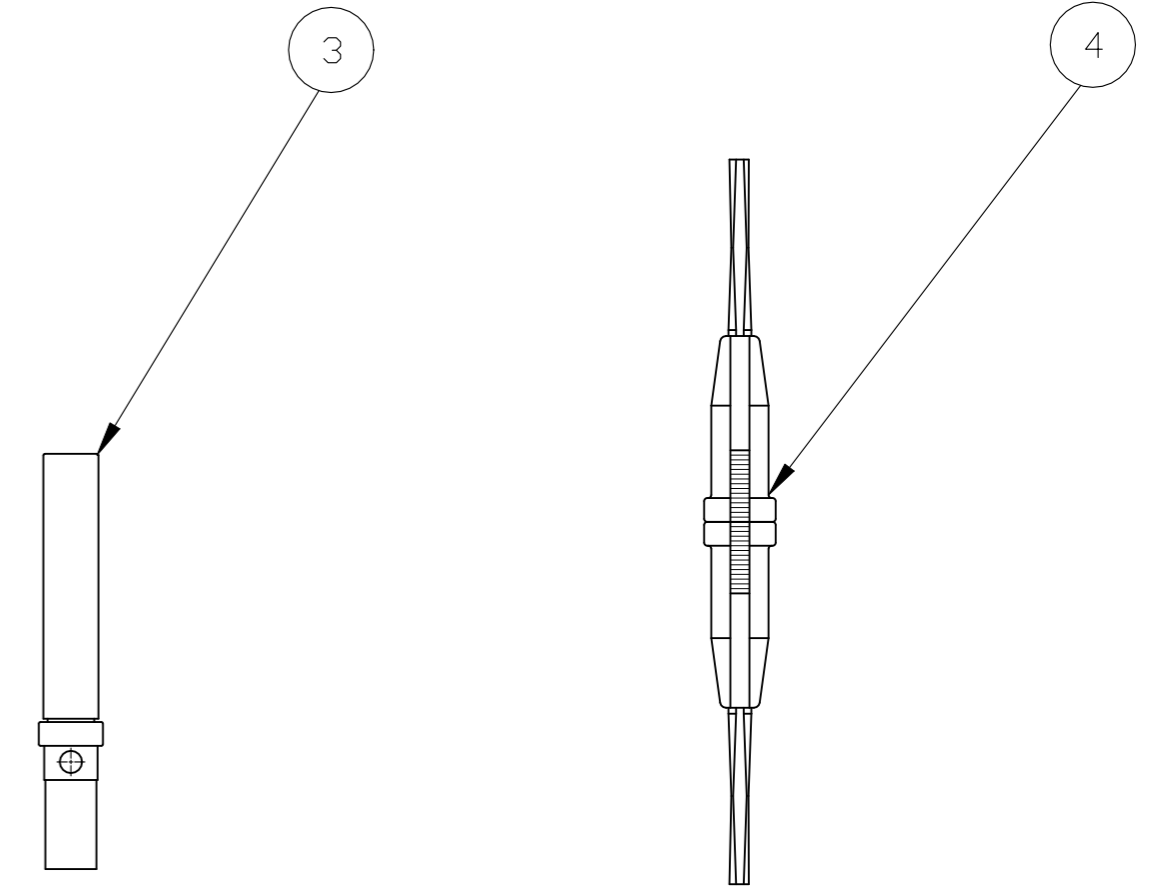
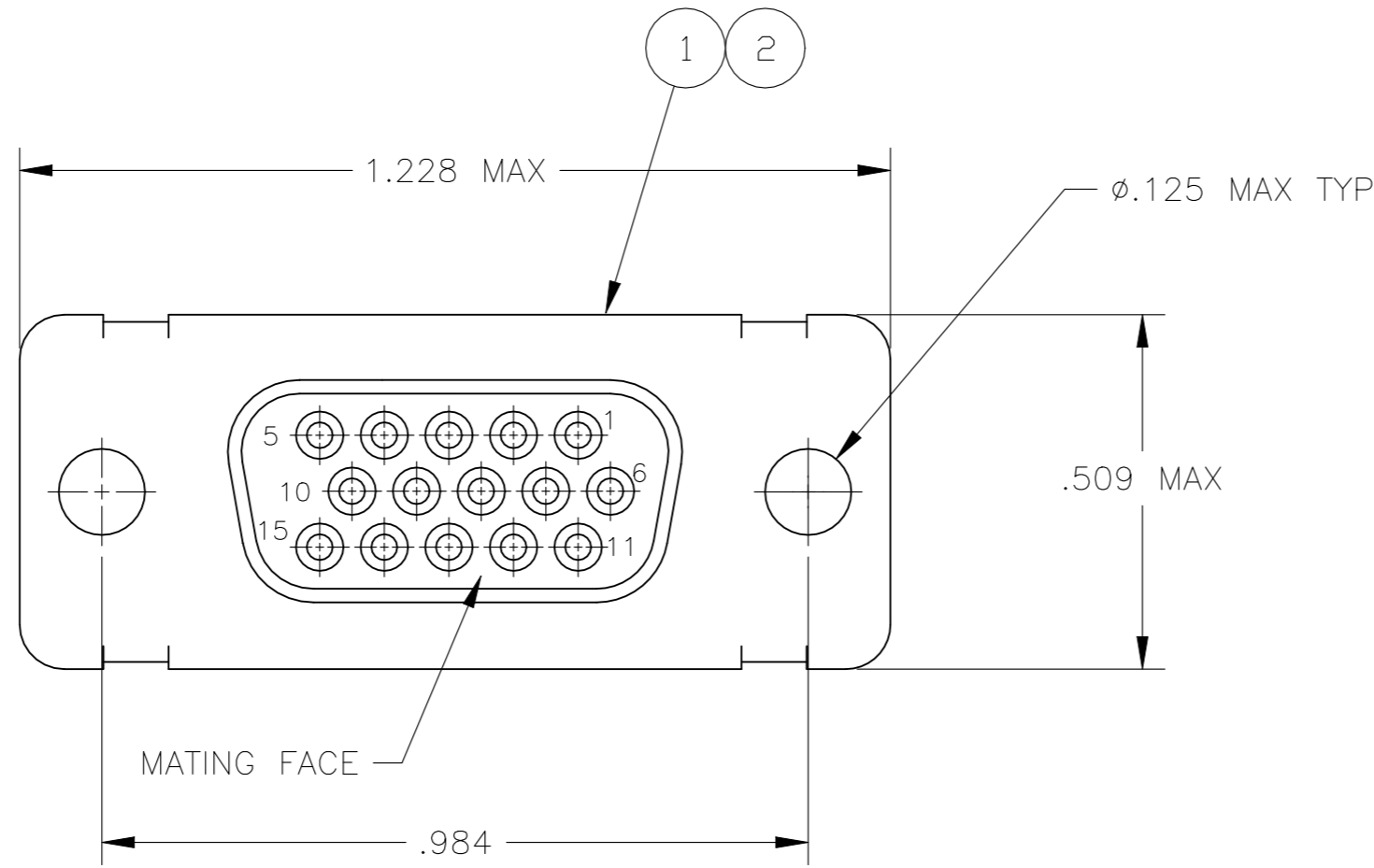
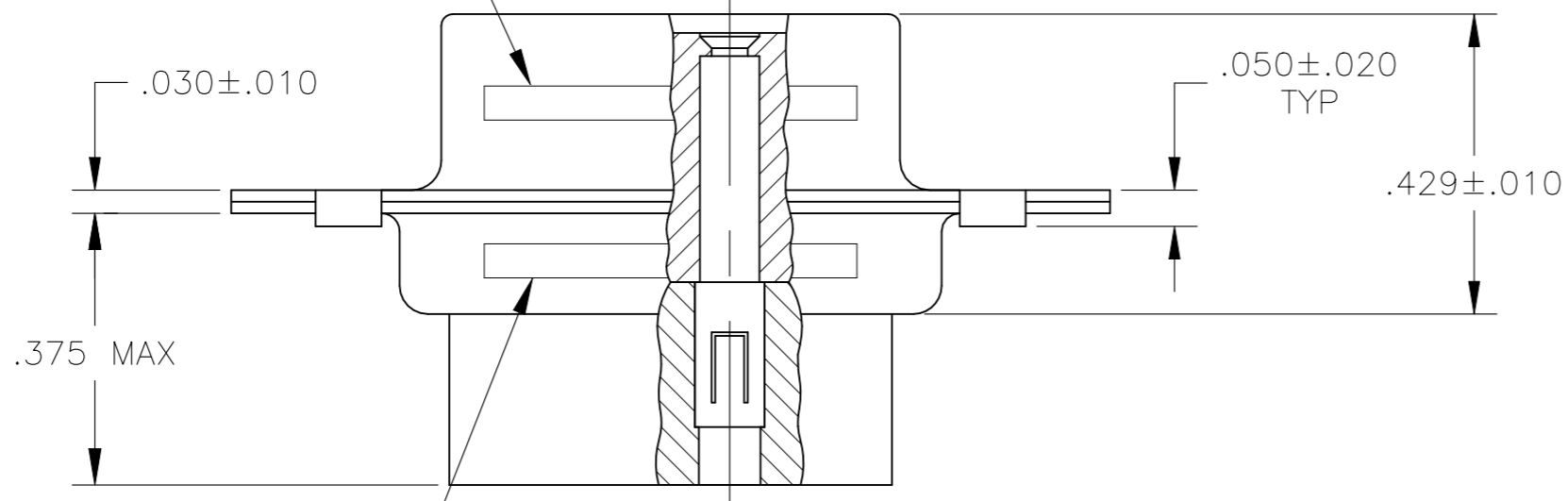


REVISIONS					
P	LTR	DESCRIPTION	DATE	DWN	APVD
H		REVISED PER ECN-24-268099	28MAY2024	PE	DS



MARK TE & DATE CODE
PER 115-10002-2
NEAR SIDE



MARK MILITARY PART NO.
FAR SIDE PER 115-10002-2
MARK TE PART NO, NEAR SIDE
SEE TABLE

	OBSOLETE	M24308/6-17F	M24308/6-11F	91067-1	204351-1	204500-2	-	204512-6
	SUPERSEDED BY 206499-4 & (15) 206071-1	M24308/6-11F	M24308/6-11F	-	204351-1	204500-2	-	204512-5
	SUPERSEDED BY 206499-4 & 91067-1	-	M24308/6-11F	91067-1	-	204500-2	-	204512-4
	OBSOLETE	M24308/2-17F	M24308/2-11F	91067-1	204351-1	-	204500-1	204512-3
		M24308/2-11F	M24308/2-11F	-	204351-1	-	204500-1	204512-2
	OBSOLETE	-	M24308/2-11F	91067-1	-	-	204500-1	204512-1
		MILITARY P/N ON PACKAGE	MILITARY P/N ON CONNECTOR	④ INSERT/EXTRACT TOOL QTY = 1	③ SOCKET CONTACT QTY = 15	② RECEPTACLE ASSY QTY = 1	① RECEPTACLE ASSY QTY = 1	PART NUMBER

WARNING - THIS DOCUMENT CONTAINS TECHNOLOGY WHOSE EXPORT IS RESTRICTED BY THE EXPORT ADMINISTRATION REGULATIONS ("EAR") PURSUANT TO 15 C.F.R. PARTS 730-774. VIOLATIONS OF THE EAR ARE SUBJECT TO SEVERE CRIMINAL PENALTIES UNDER THE EXPORT CONTROL REFORM ACT, AS AMENDED (TITLE 50, U.S.C., SEC. 4801, ET SEQ.).

THIS DRAWING IS A CONTROLLED DOCUMENT.

DIMENSIONS: INCHES	TOLERANCES UNLESS OTHERWISE SPECIFIED:	DWN P. YEAGER 15DEC08	CHK R. LEASE 16DEC08	APVD R. LEASE 16DEC08	NAME
0 PLC ± -	1 PLC ± -	TE Connectivity			AMPLIMITE KIT, HDD SERIES
2 PLC ± -	3 PLC ± .005	RECEPTACLE, SIZE 1, 15 POSITION			
4 PLC ± -	ANGLES ± -	MATERIAL SEE TABLE	FINISH SEE TABLE	WEIGHT 0.000000	SIZE A2
		CUSTOMER DRAWING		SCALE 4:1	SHEET 1 OF 1