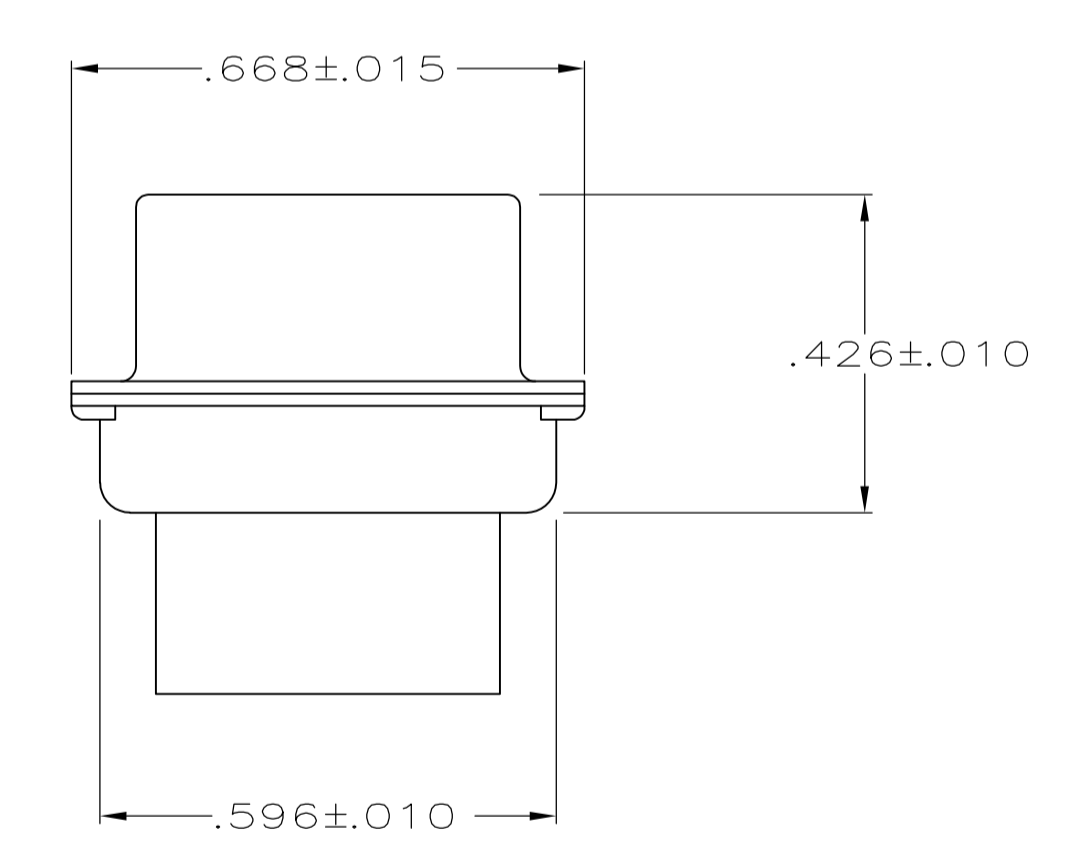
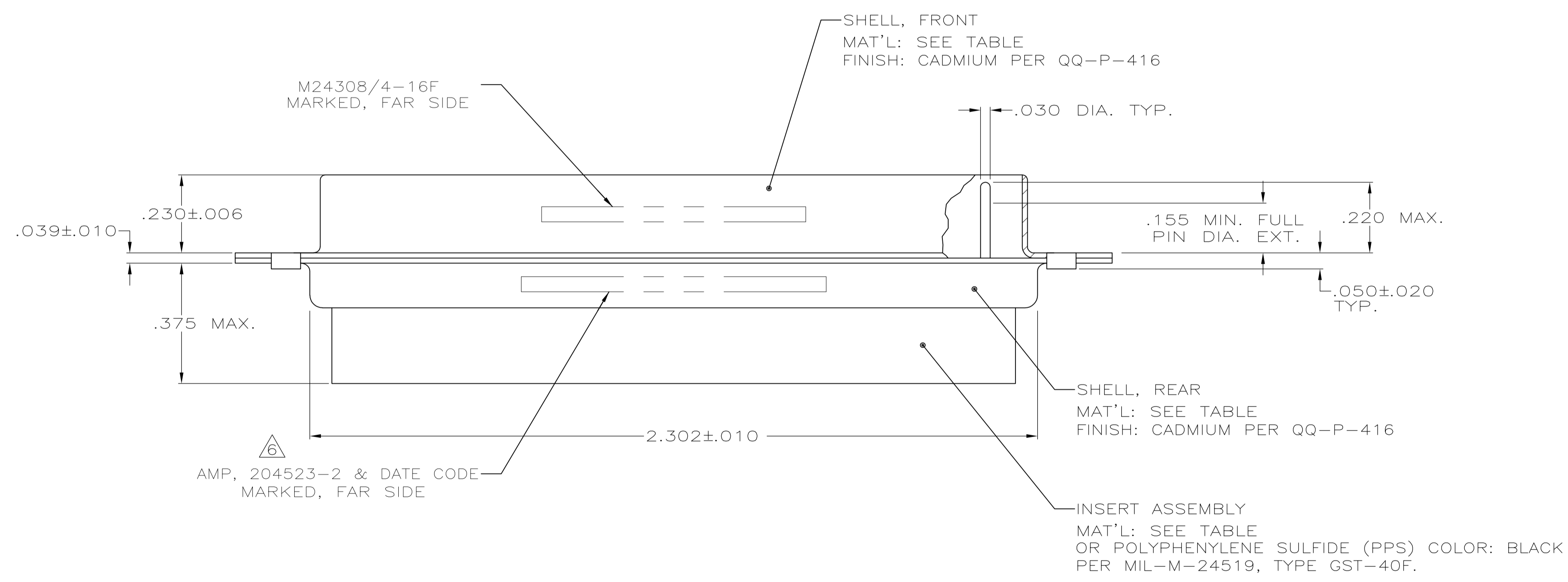
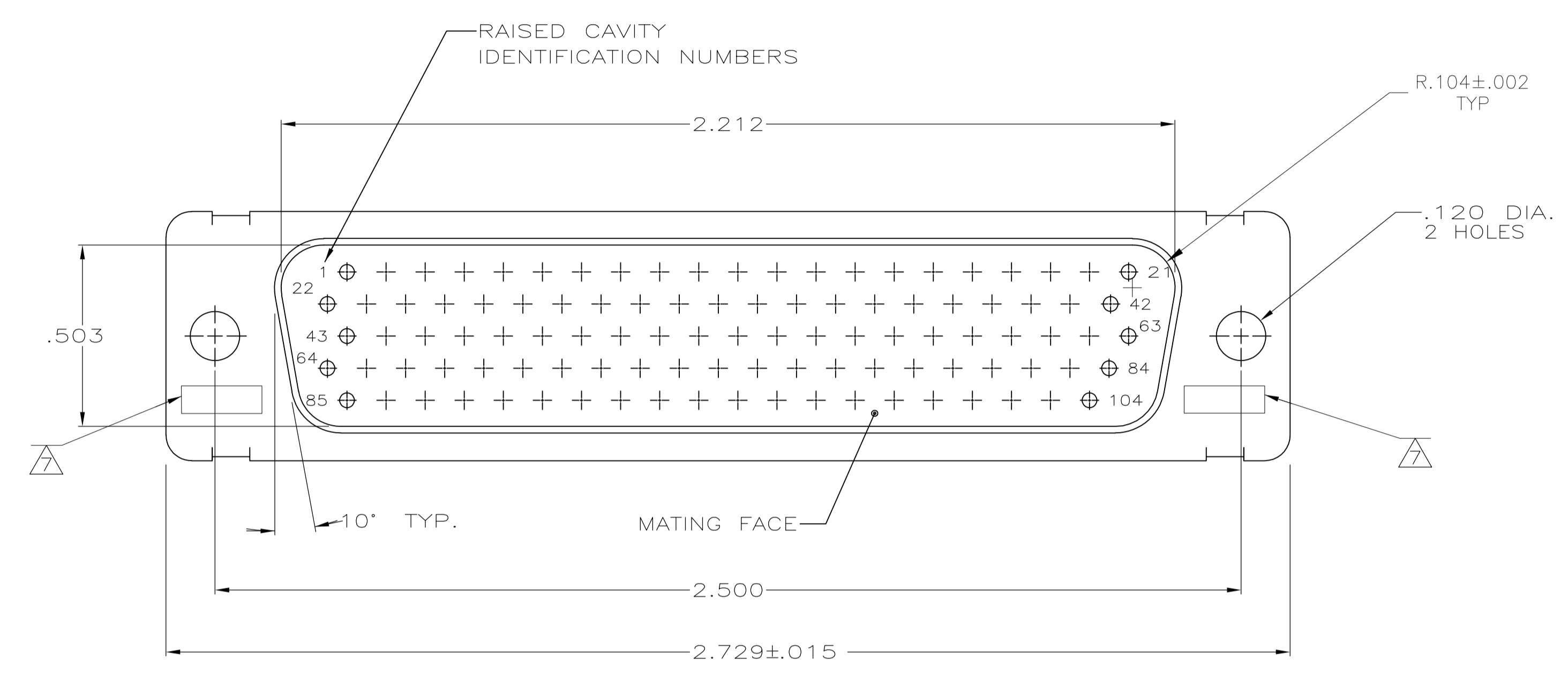


LOC		DIST		REVISIONS			
P	LTR	DESCRIPTION	DATE	DN	APVD		
V		REV PER ECO-15--016062	09NOV15	KG	CD		



- THIS PLUG IS DESIGNED TO CONFORM TO THE LATEST ISSUE OF MIL-C-24308
- MAX WIRE INSUL. TO BE USED WITH THIS PLUG IS .054 DIA.
- METAL RETENTION CLIPS ARE INCLUDED IN INSERTS
- PACKAGE MARKED M24308/4-269F
- THIS PLUG WILL ACCEPT SIZE 22 PIN CONTACT M 39029/58-360 OR ANY AMP HDD-22 PIN CONTACT
- AMP PART NO. MARKED ON CONNECTOR REPRESENTS KIT NUMBER WITH CONTACTS
- UL/CSA DESIGNATION MARKED IN THIS AREA. OPTIONAL

OBSOLETE	STEEL, CLASS G	PHENOLIC COLOR: BLACK	204511-3
SUPSD BY 206066-4	BRASS	DIALYL PATHALATE COLOR: BLUE	204511-2
	STEEL, CLASS G	DIALYL PATHALATE COLOR: BLUE	204511-1
	SHELL MAT'L	INSERT MAT'L	INSERT MAT'L

THIS DRAWING IS A CONTROLLED DOCUMENT.

DTN: C.C.THOMAS 12-2-87
CHK: F.C.BALLEW III 1-25-88

APVD: [Signature]

NAME: [Blank]

PRODUCT SPEC: [Blank]

APPLICATION SPEC: [Blank]

SIZE: A1
CAGE CODE: 00779
DRAWING NO: 204511

RESTRICTED TO: [Blank]

CUSTOMER DRAWING

SCALE: 4:1 SHEET 1 OF 1 REV V