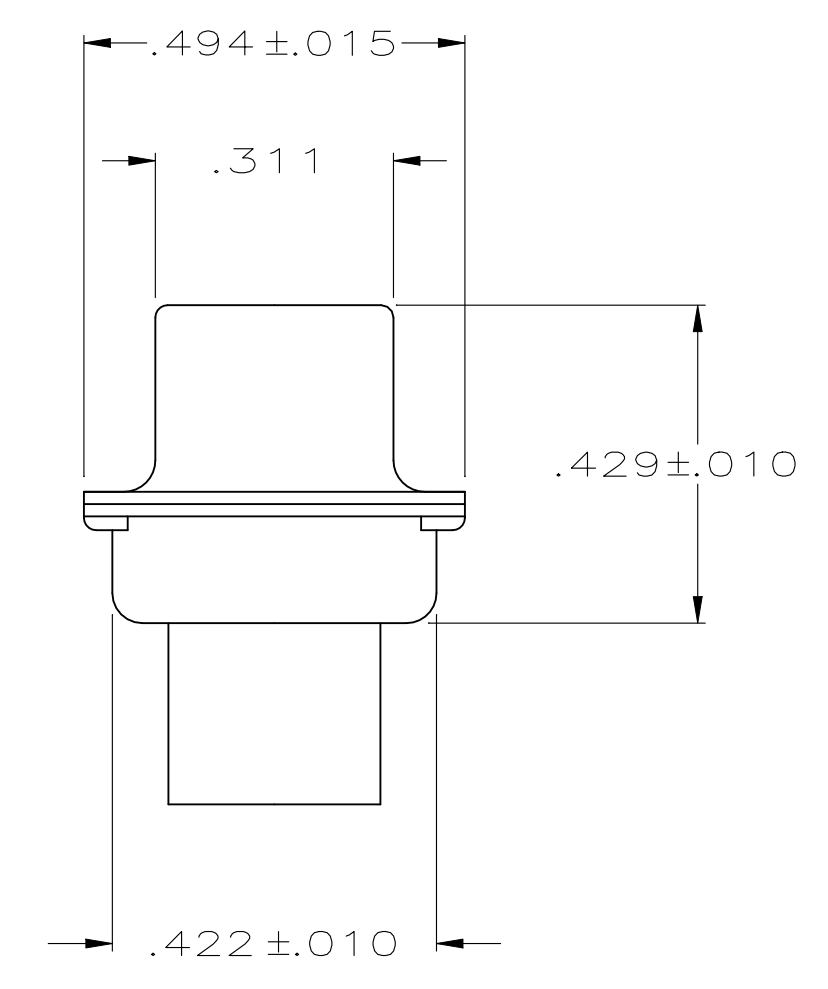
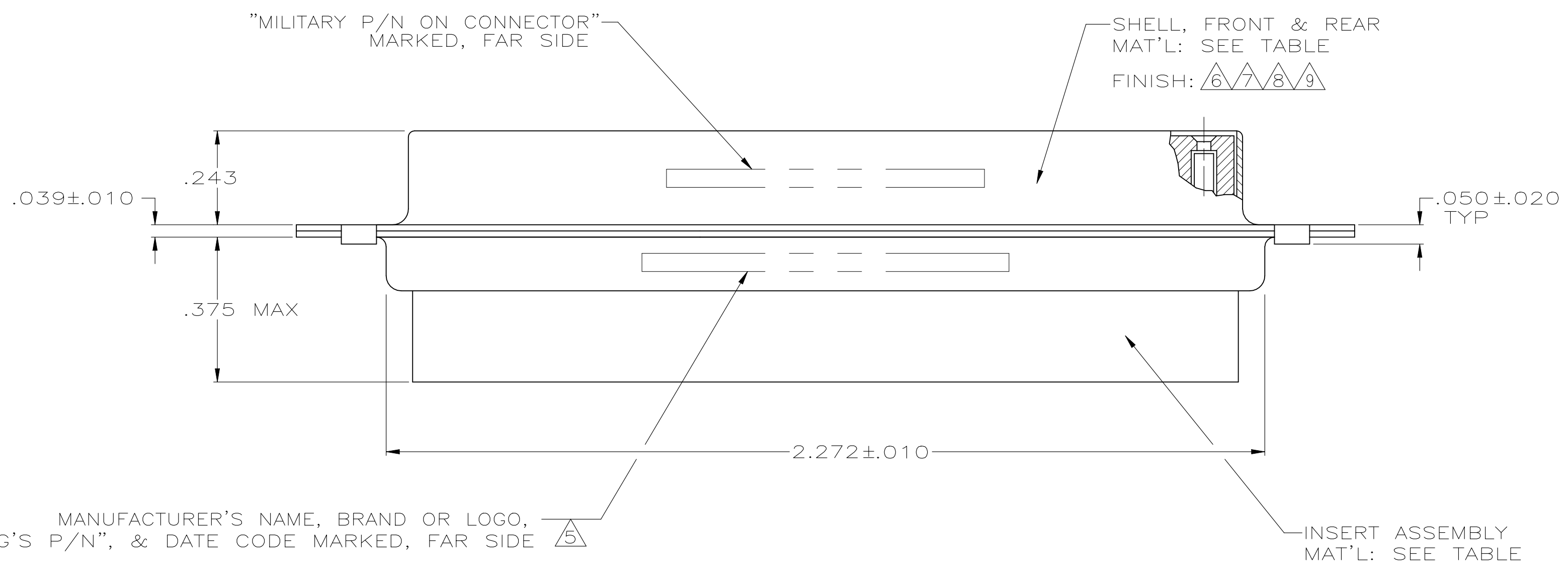
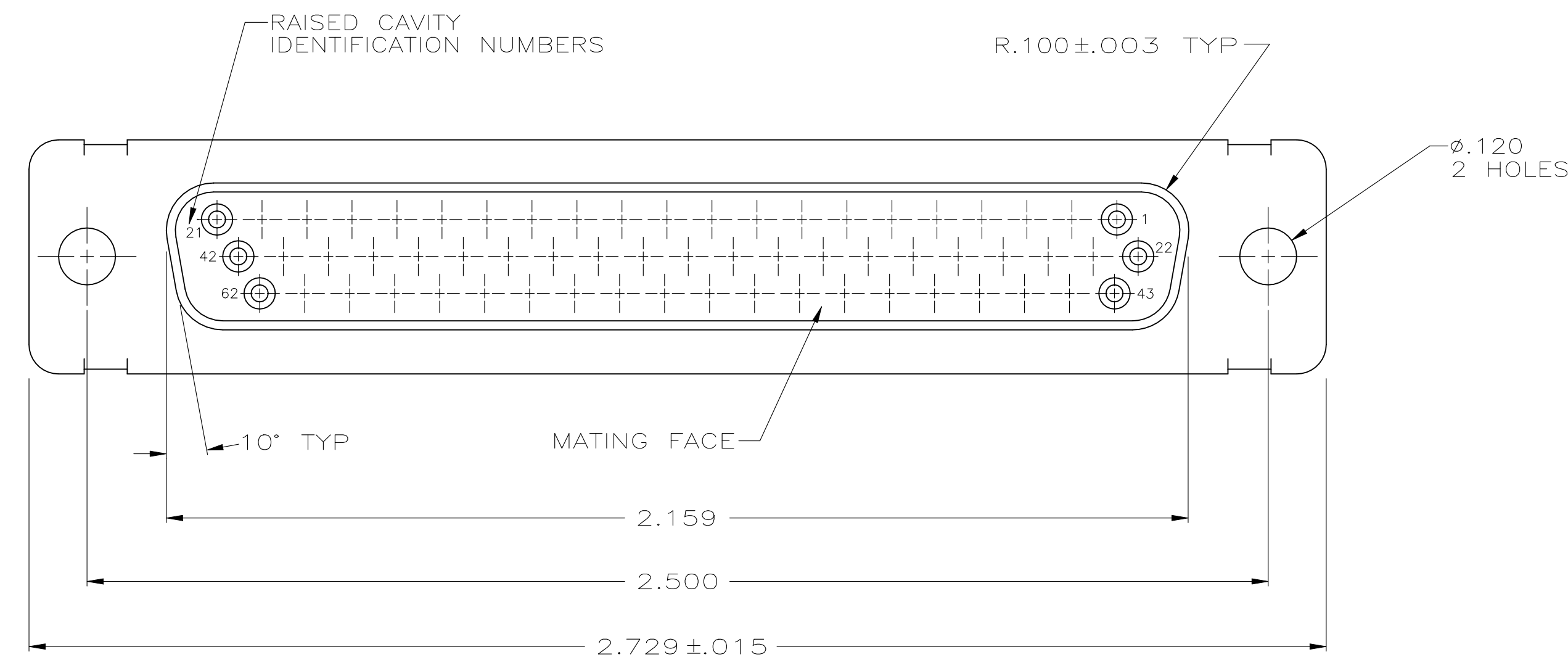


REVISIONS					
P	LTR	DESCRIPTION	DATE	DN	APVD
V		REVISED PER ECN-24-270210	11JUN2024	PE	DS

- THIS RCPT. IS DESIGNED TO CONFORM TO THE LATEST ISSUE OF MIL-C-24308.
 - MAX WIRE INSUL TO BE USED WITH THIS RCPT IS .054 DIA.
 - METAL RETENTION CLIPS ARE INCLUDED IN INSERTS.
 - THIS RCPT. WILL ACCEPT SIZE 22 SOCKET CONTACT M39029/57-354 OR ANY TYCO HDD-22 SOCKET CONTACT. CONTACTS ORDERED SEPARATELY.
- 5 MFG'S PART NO. MARKED ON CONNECTOR REPRESENTS KIT NUMBER WITH CONTACTS.
 - 6 CADMIUM PER QQ-P-416.
 - 7 BRIGHT TIN PER MIL-T-10727.
 - 8 BRIGHT TIN PER ASTM-B-545 .000400-.000550 THK OVER COPPER PER AMS2418 .000050 MIN THK.
 - 9 ZINC PER ASTM-B-633 .000200 MIN THK, YELLOW CHROMATE.



MANUFACTURER'S NAME, BRAND OR LOGO, "MARKED MFG'S P/N", & DATE CODE MARKED, FAR SIDE 5

MFG'S P/N MARKED ON CONNECTOR	MILITARY P/N ON PACKAGE	MILITARY P/N ON CONNECTOR	REMARKS	SHELL FINISH	SHELL MAT'L	INSERT MAT'L	PART NO.
204506-6	-	-	-	8	STEEL, CLASS G	POLYPHENYLENE SULFIDE(PPS) PER MIL-M-24519, TYPE GST-40F COLOR: BLACK	204506-6
204506-4	-	-	-	7	STEEL, CLASS G	POLYPHENYLENE SULFIDE(PPS) PER MIL-M-24519, TYPE GST-40F COLOR: BLACK	204506-4
SUPSD BY 204506-1	-	-	-	6	STEEL, CLASS G	PHENOLIC COLOR: BLACK	204506-3
SUPSD BY 206503-4	-	-	-	6	BRASS	DIALLYL PATHALATE COLOR: BLUE	204506-2
204518-2	M24308/2-289F	M24308/2-14F	5	6	STEEL, CLASS G	POLYPHENYLENE SULFIDE(PPS) PER MIL-M-24519, TYPE GST-40F COLOR: BLACK	204506-1

WARNING - THIS DOCUMENT CONTAINS TECHNOLOGY WHOSE EXPORT IS RESTRICTED BY THE EXPORT ADMINISTRATION REGULATIONS ("EAR") PURSUANT TO 15 C.F.R. PARTS 730-774. VIOLATIONS OF THE EAR ARE SUBJECT TO SEVERE CRIMINAL PENALTIES UNDER THE EXPORT CONTROL REFORM ACT, AS AMENDED (TITLE 50, U.S.C., SEC. 4801, ET SEQ.)

THIS DRAWING IS A CONTROLLED DOCUMENT.

DIMENSIONS: INCHES	TOLERANCES UNLESS OTHERWISE SPECIFIED:	DIN C.C.THOMAS 01-DEC-87	APVD F.C.BALLEW 25-JAN-88	NAME	RESTRICTED TO
0 PLC ± -	1 PLC ± -	2 PLC ± -	3 PLC ± .005	4 PLC ± -	ANGLES ± 0'30"
MATERIAL SEE TABLE	FINISH SEE CALLOUTS	WEIGHT	SIZE	CAGE CODE	DRAWING NO
			A1	00779	204506
CUSTOMER DRAWING		SCALE 4:1	SHEET 1 of 1	REV V	

AMPLIMITE RCPT FOR SOCKET CONTACTS HI-DENSITY D CONNECTOR SZ 4 (62 POSN) SER 90