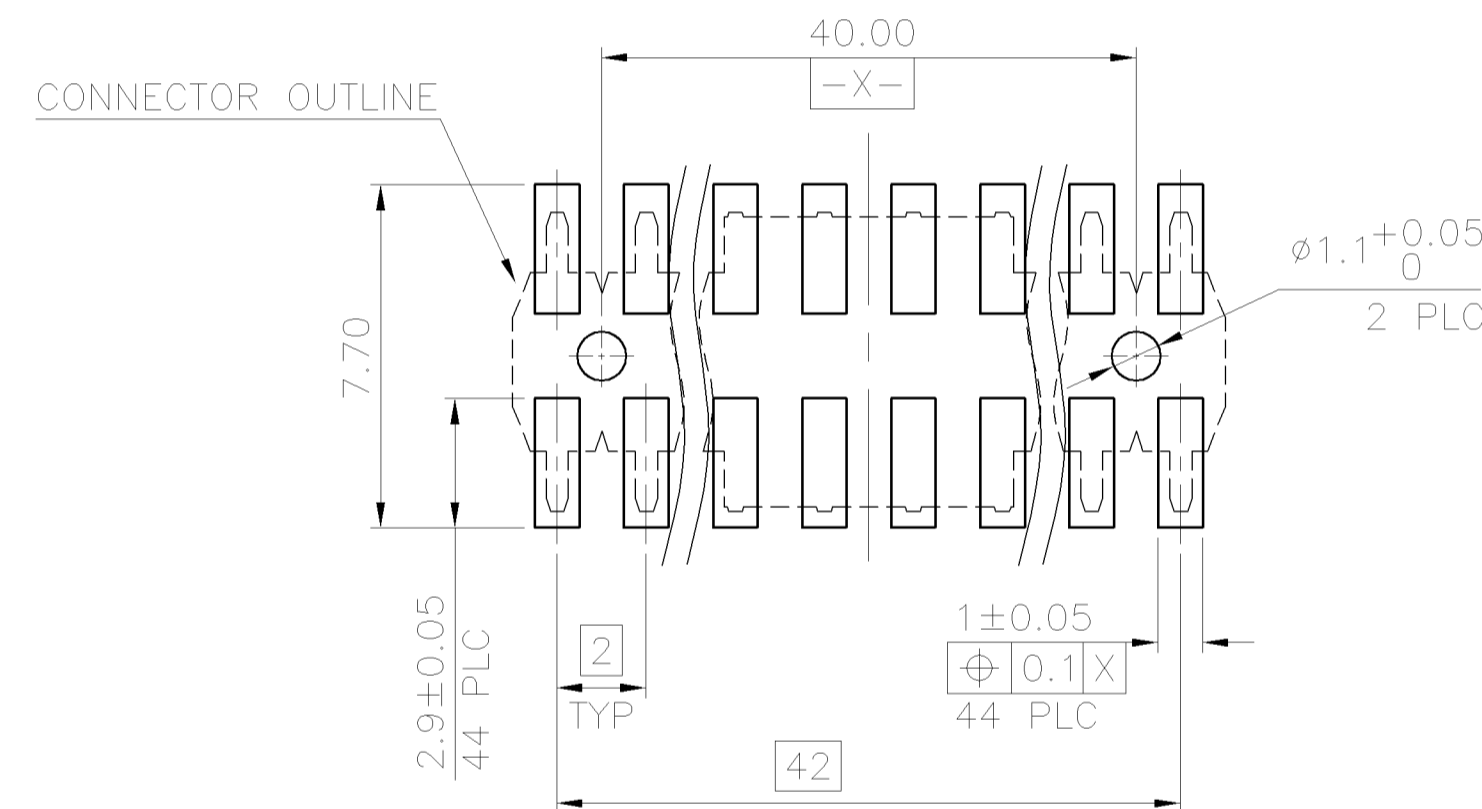
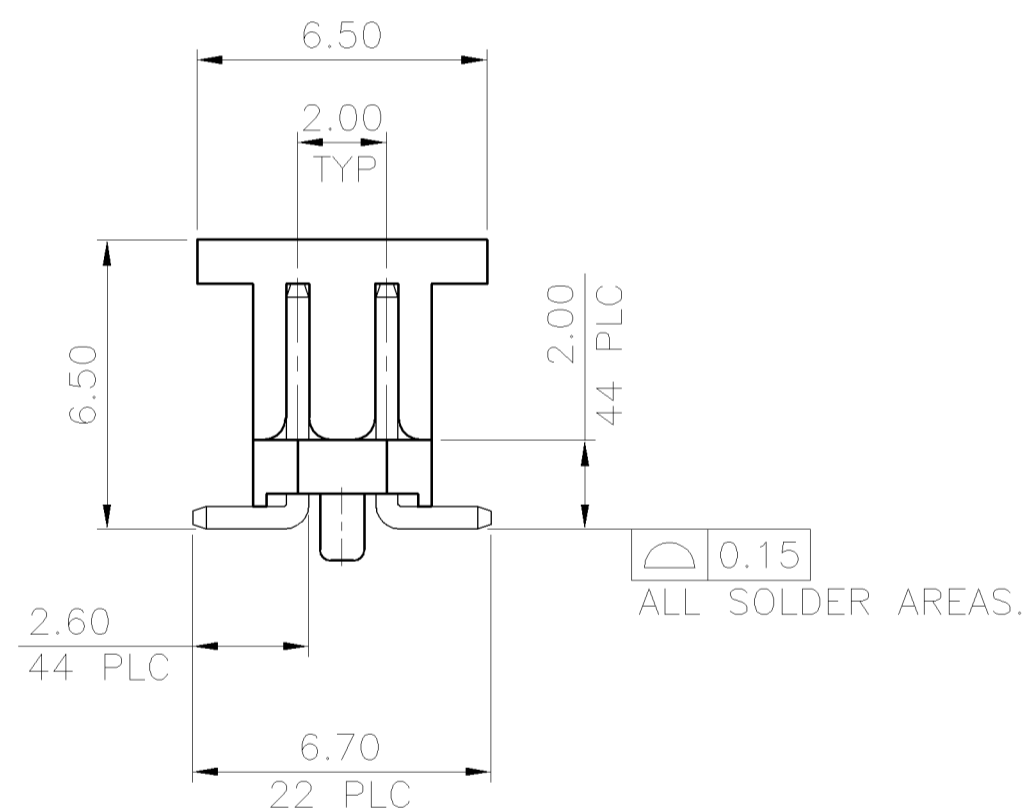
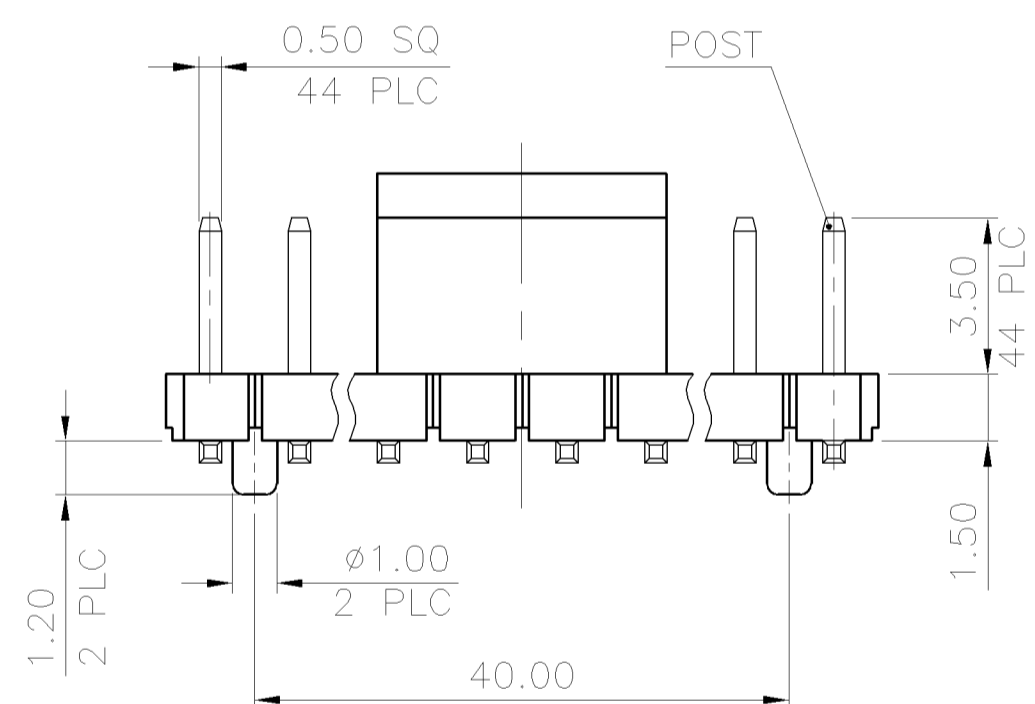
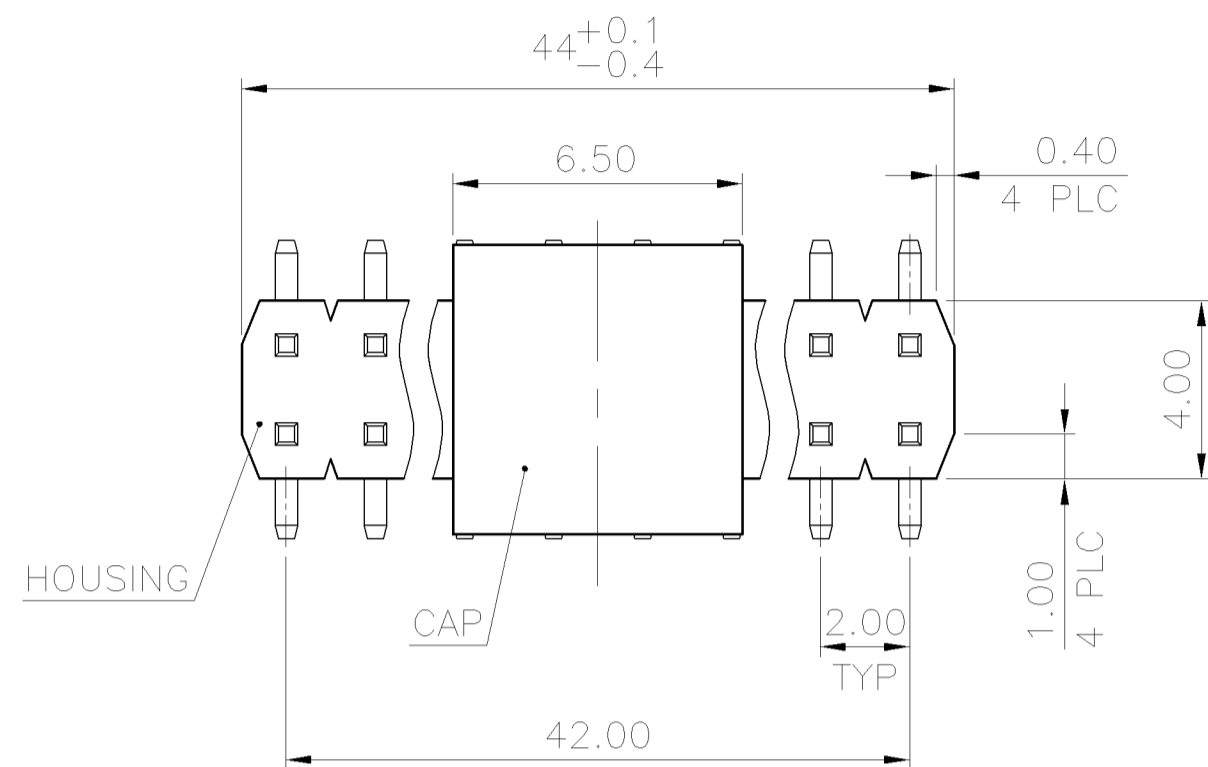


THIS DRAWING IS UNPUBLISHED. RELEASED FOR PUBLICATION
 © COPYRIGHT BY TYCO ELECTRONICS CORPORATION. ALL RIGHTS RESERVED.

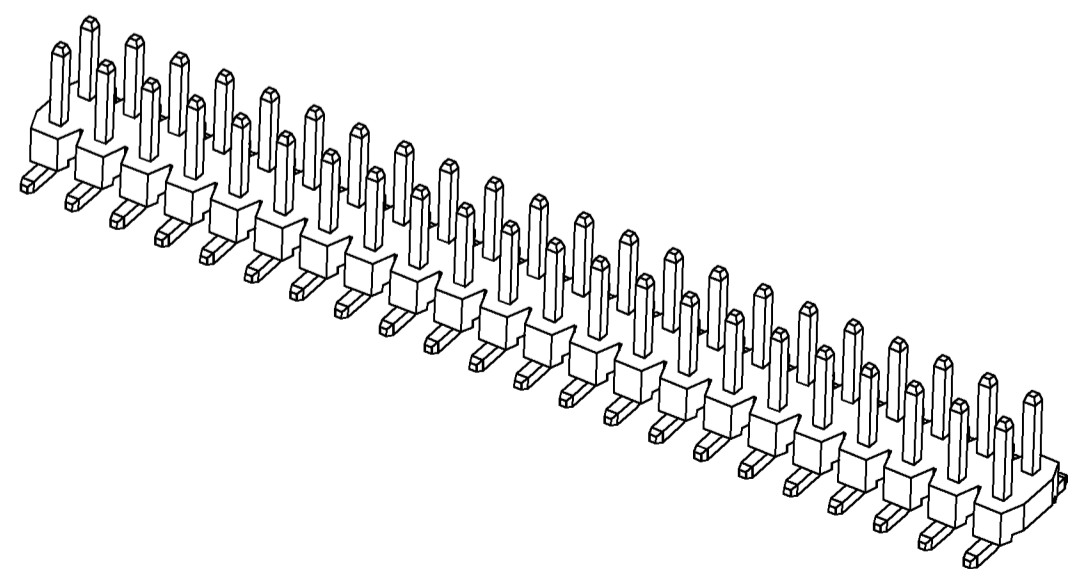
LOC DW	DIST —	REVISIONS		
P	LTR	DESCRIPTION	DATE	DWN
	A	RELEASED	03JUN08	AW
				WK

NOTE:

- MATERIAL:
 HOUSING: NYLON 6T WITH 30% GF, UL 94V-0, BLACK COLOR.
 CAP: NYLON 6T WITH 30% GF, UL 94V-0, BLACK COLOR.
 POSTS: BRASS.
- FINISH:
 POSTS: 0.076μm [3μ"] MIN. GOLD FLASH OVER 0.762μm [30μ"] MIN. NICKEL ON ENTIRE POST.
- REFLOW SOLDER CAPABLE TO 260°C PER TE TEST SPEC. 109-201, CONDITION B.



TOLERANCE: ±0.05, THICKNESS: 1.2mm
 RECOMMENDED PCB LAYOUT
 (TOP VIEW)

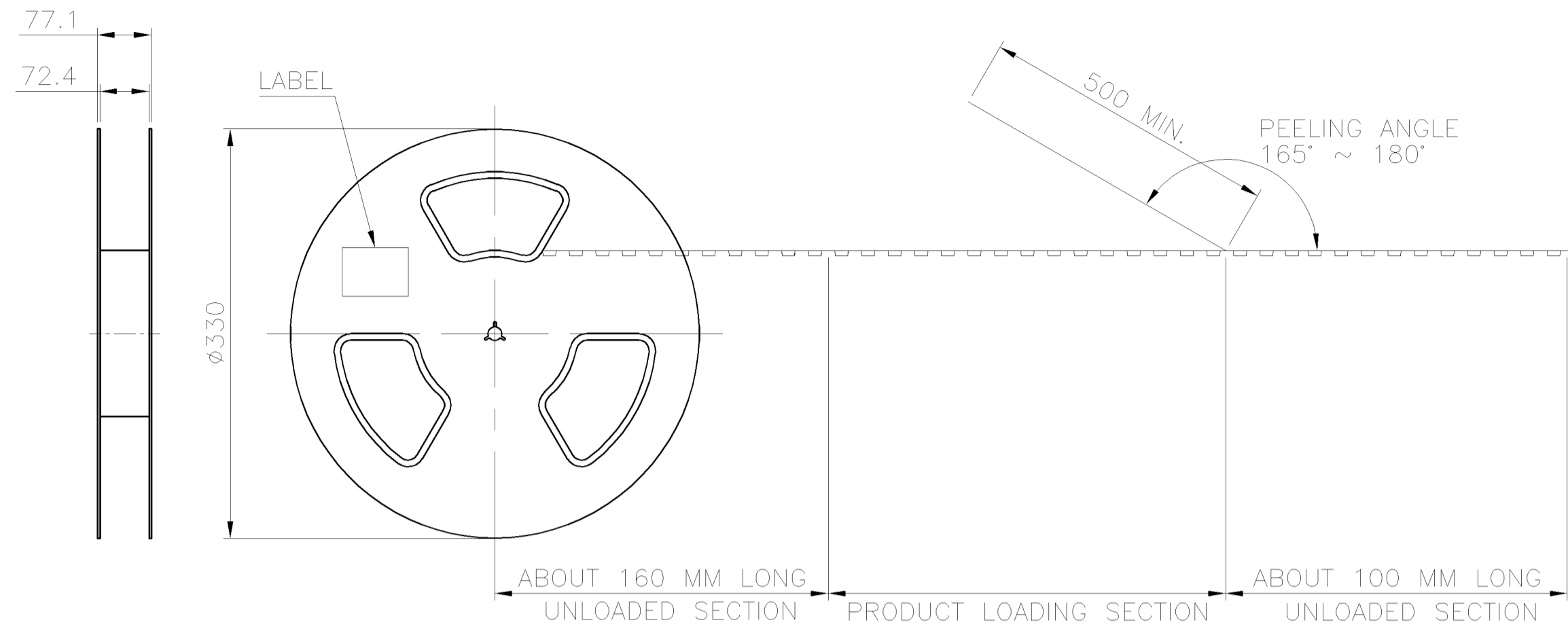


2041008-1
 PART NUMBER

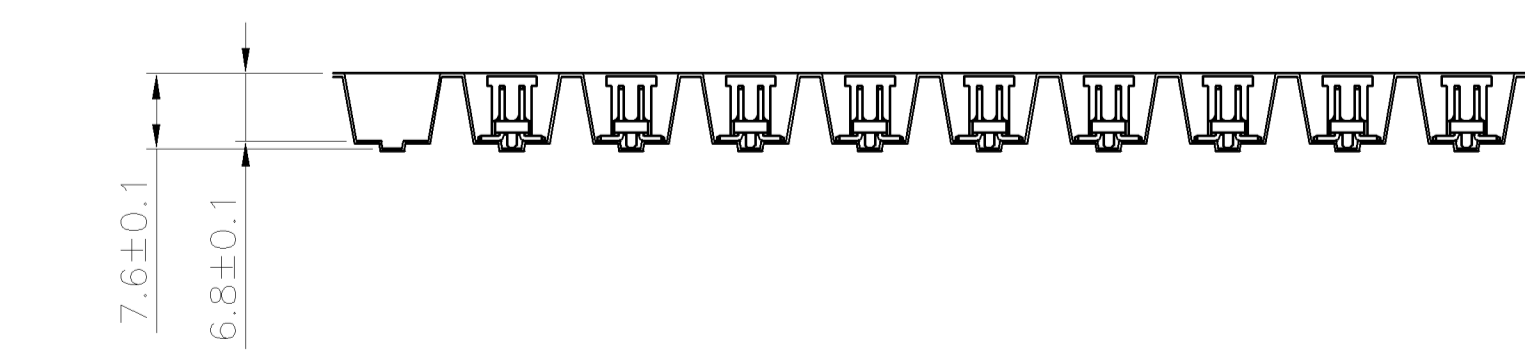
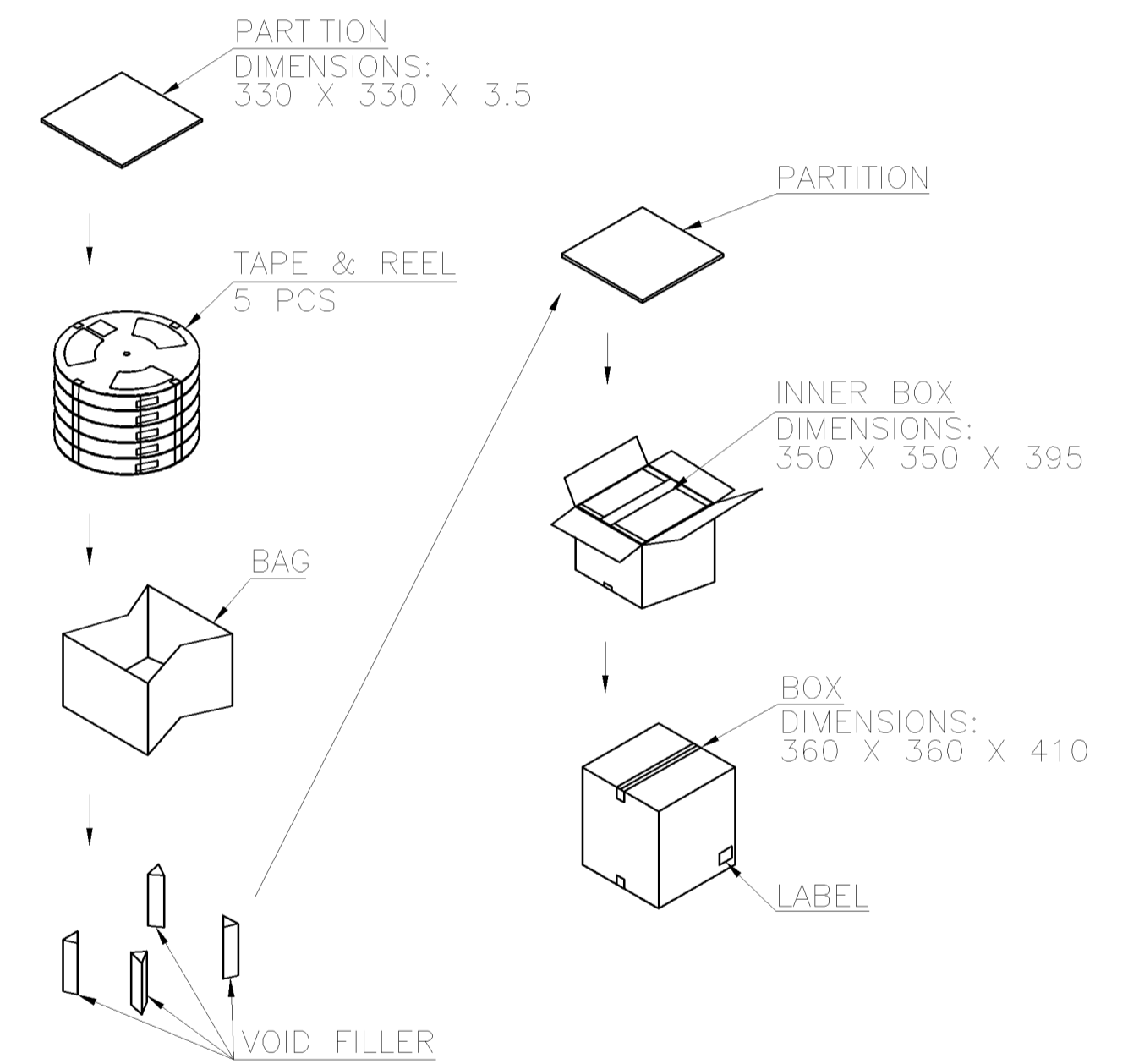
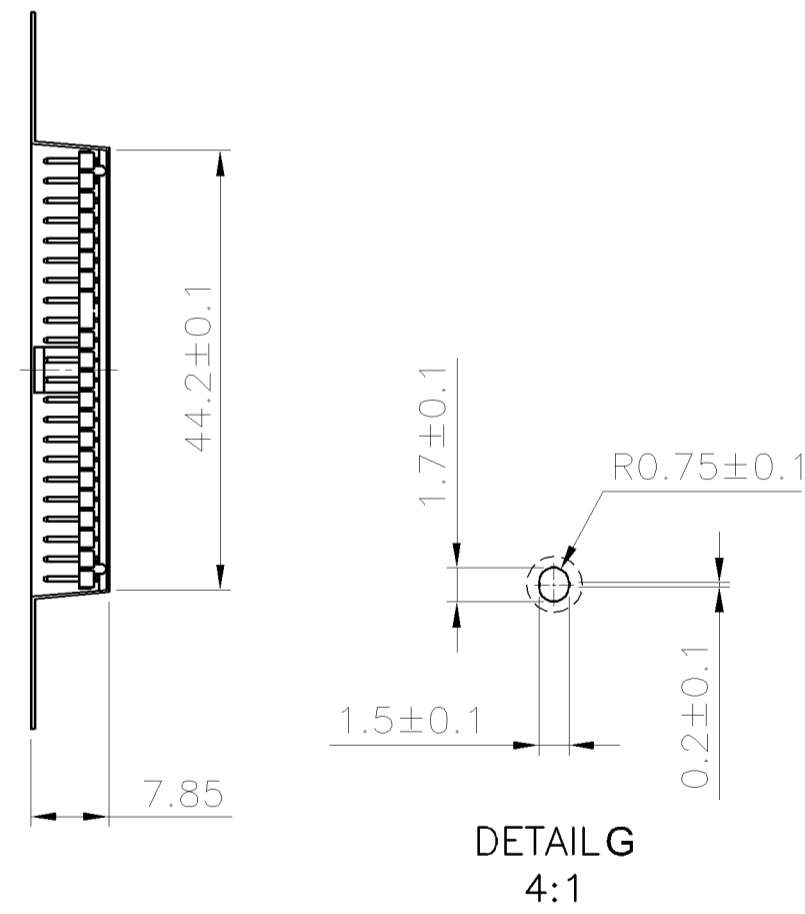
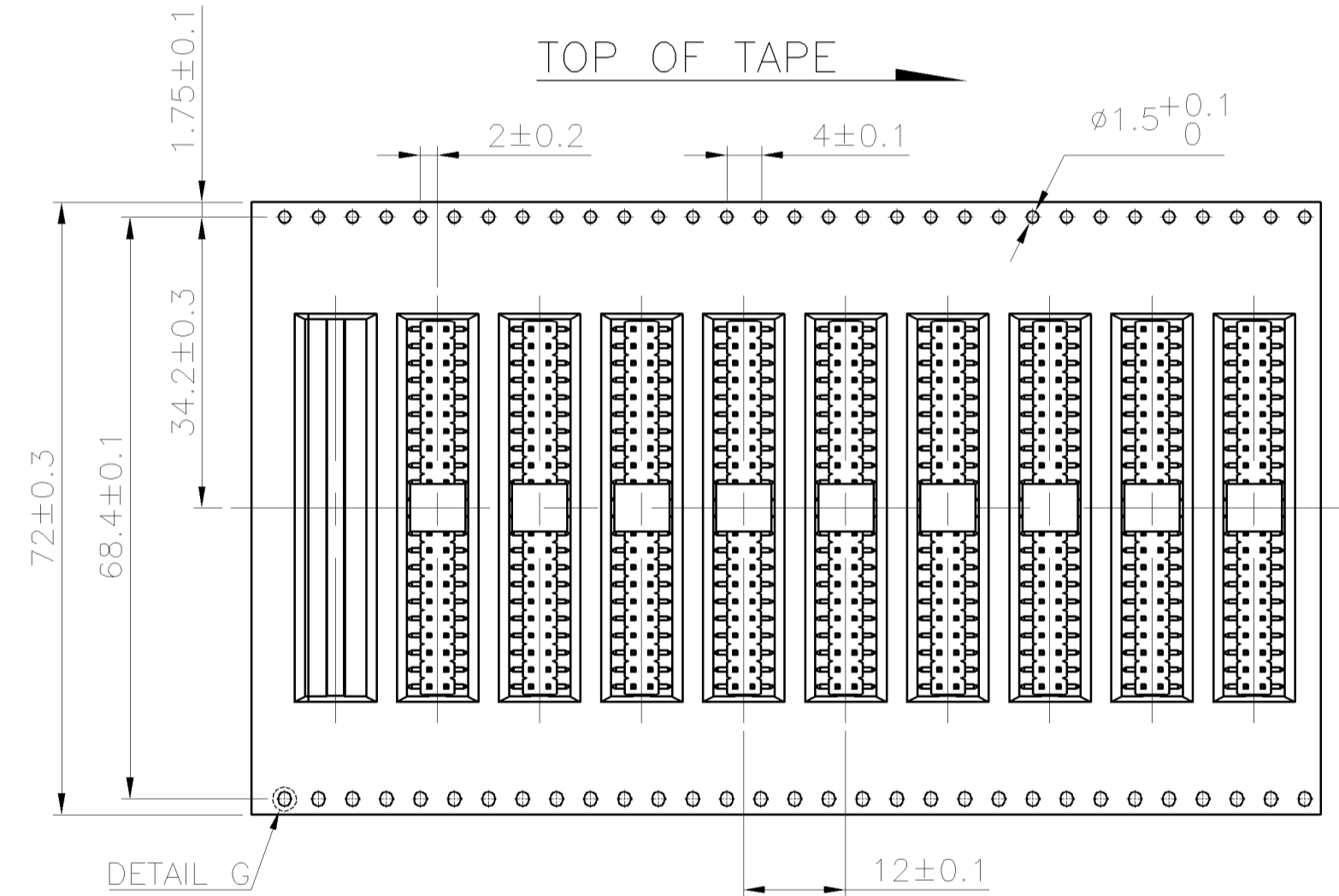
THIS DRAWING IS A CONTROLLED DOCUMENT.		DWN A. WU	03JUN2008	Tyco Electronics Corporation Taipei, Taiwan	
DIMENSIONS: MM		CHK S. CHIEN	03JUN2008	NAME	
TOLERANCES UNLESS OTHERWISE SPECIFIED:		APVD W. KODAMA	03JUN2008	2.0 MM PITCH PIN HEADER, 44 POSITION, PLUG, VERTICAL, SMT.	
0 PLC ± 0.5		PRODUCT SPEC		SIZE	
1 PLC ± 0.3		APPLICATION SPEC		CAGE CODE	
2 PLC ± 0.2		—		DRAWING NO	
3 PLC ± 0.15		—		RESTRICTED TO	
4 PLC ± —		—		—	
ANGLES ± 3°		WEIGHT 1.1 GRAMS		A300779	
MATERIAL SEE NOTE		FINISH SEE NOTE		C=2041008	
		CUSTOMER DRAWING		SCALE — SHEET 1 OF 2 REV A	

THIS DRAWING IS UNPUBLISHED. RELEASED FOR PUBLICATION
 © COPYRIGHT BY TYCO ELECTRONICS CORPORATION. ALL RIGHTS RESERVED.

LOC	DIST	REVISIONS					
DW	—	P	LTR	DESCRIPTION	DATE	DWN	APVD
				SEE SHEET 1.			



- NOTE:
- MATERIAL:
 BOX: FIBREBOARD, CORRUGATED, DOUBLE WALL.
 TAPE: POLYSTYRENES, HEAT-RESISTANT TEMPERATURE: 120°C, BLACK COLOR.
 REEL: POLYSTYRENES, HEAT-RESISTANT TEMPERATURE: 70°C, BLUE COLOR.
 BAG: POLYETHYLENE, HEAT-RESISTANT TEMPERATURE: 100°C.
 - PEELING STRENGTH: 0.1 ~ 1.5 N (10 ~ 150 GRAMS)
 - PEELING SPEED: 300 mm/min.



750	5	3750 PCS	9.1 KG	3.94 KG
PCS/TAPE	REELS/BOX	QUANTITY	GROSS WEIGHT	NET WEIGHT

THIS DRAWING IS A CONTROLLED DOCUMENT.		DWN A. WU 03JUN2008	Tyco Electronics Corporation Taipei, Taiwan	
DIMENSIONS: MM		CHK S. CHIEN 03JUN2008		
TOLERANCES UNLESS OTHERWISE SPECIFIED:		APVD W. KODAMA 03JUN2008	NAME	
0 PLC ± -		PRODUCT SPEC	2.0 MM PITCH PIN HEADER, 44 POSITION, PLUG, VERTICAL, SMT.	
1 PLC ± -		APPLICATION SPEC		
2 PLC ± -		WEIGHT	SIZE	CAGE CODE
3 PLC ± -		CUSTOMER DRAWING	DRAWING NO	
4 PLC ± -			RESTRICTED TO	
ANGLES ± -		A300779 C-2041008		
FINISH		SCALE	SHEET	REV
		—	2 OF 2	A