

THIS DRAWING IS UNPUBLISHED.

RELEASED FOR PUBLICATION

20

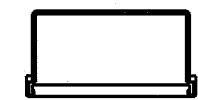
© COPYRIGHT 20

BY TYCO ELECTRONICS CORPORATION. ALL RIGHTS RESERVED.

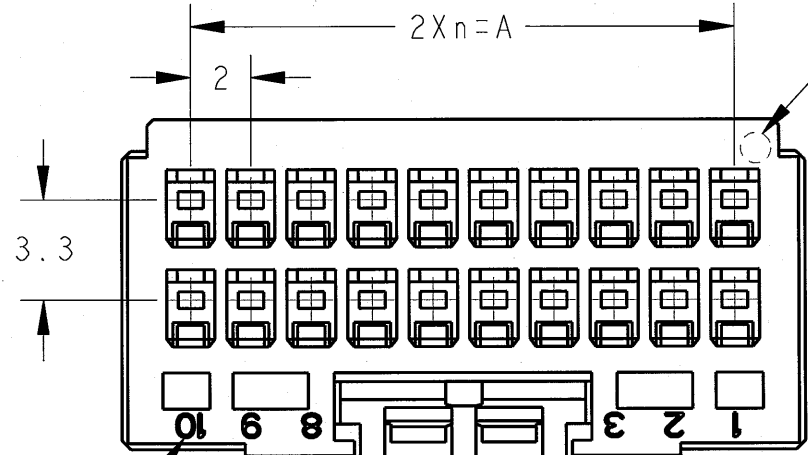
LOC J DIST -

REVISIONS  
変更

P	LTR	DESCRIPTION	DATE	DWN	APVD
	B	REVISED	18JUN2009	R.K	N.Y
	C	REVISED	06JAN2010	R.K	N.Y



SCALE 1:1



CAVITY MARK (ALPHABET:CAPITAL LETTER)

1. 材料: ガラス入り熱可塑性ポリエステル樹脂(94V-0), 色: 黒以外

2. 文字の形状、大きさ、および位置については、大略を示すものであり、詳細を示すものではありません。

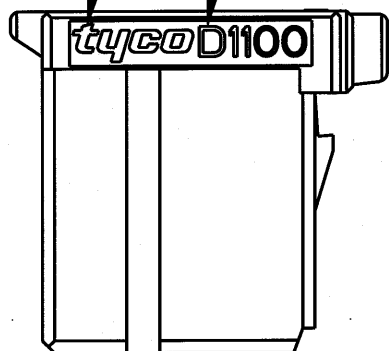
1. MATERIAL: GLASS FILED THERMO PLASTIC POLYESTER(94V-0) COLOR: EXCLUDING BLACK

2. THE SHAPE, SIZE AND POSITION OF THE CHARACTER SHOW THE OUTLINE. THEY DON'T SHOW DETAILS.

CIRCUIIT NO

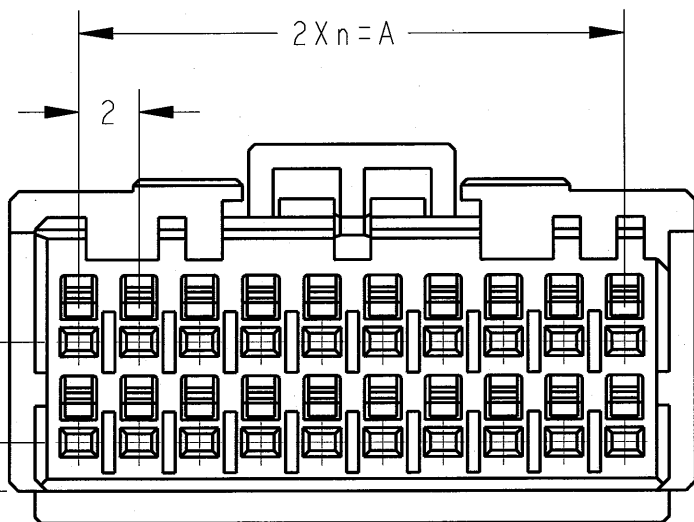
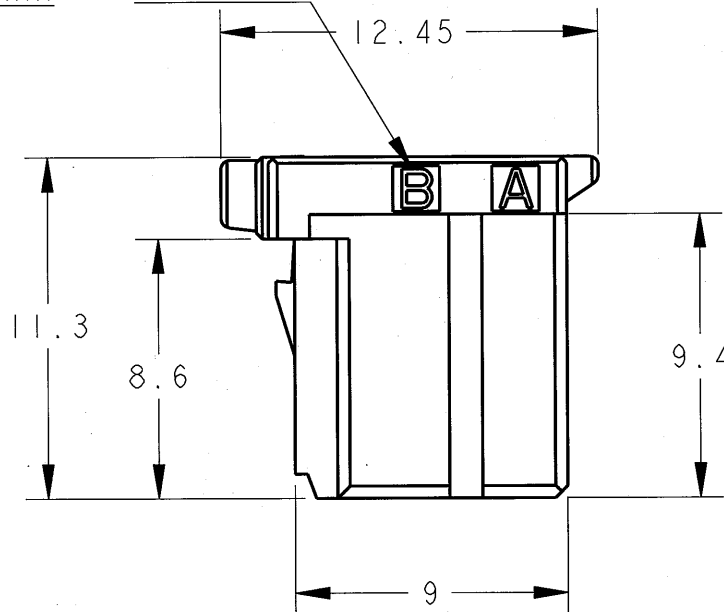
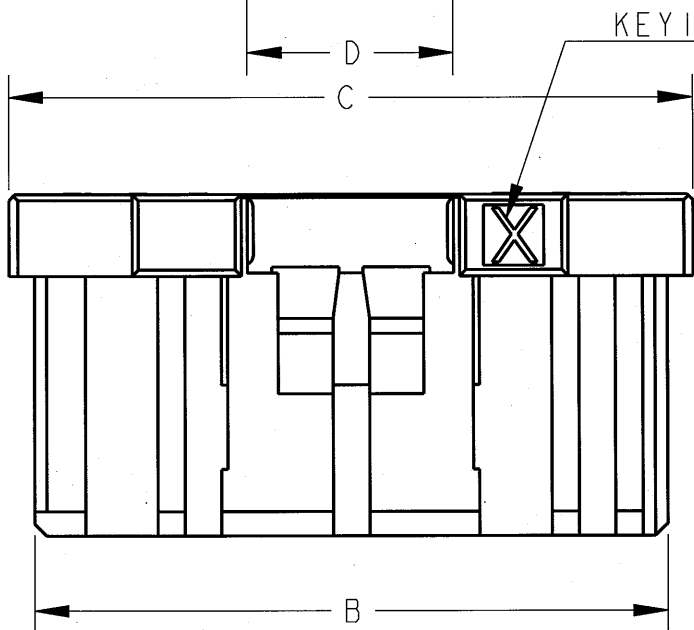
LOGO MARK

SERIES CODE



KEYING MARK

ROW ID



20POS(X-KEY) : \*-2040555-0

18	X	8	16.0	18.9	20.6	8.1	YELLOW	3-2040555-9
18	X	8	16.0	18.9	20.6	8.1	NATURAL	1-2040555-9
20	X	9	18.0	20.9	22.6	6.8	RED	5-2040555-0
20	X	9	18.0	20.9	22.6	6.8	YELLOW	3-2040555-0
20	X	9	18.0	20.9	22.6	6.8	NATURAL	1-2040555-0
POS	KEY	n	A	B	C	D	COLOR	PART NO

THIS DRAWING IS A CONTROLLED DOCUMENT FOR TYCO ELECTRONICS CORPORATION IT IS SUBJECT TO CHANGE AND THE CONTROLLING ENGINEERING ORGANIZATION SHOULD BE CONTACTED FOR THE LATEST REVISION.

DWN M. MAEBASHI 15JUL2008  
CHK T. KUDO 15JUL2008  
APVD S. MANABE 15JUL2008

Tyco Electronics Corporation  
Kawasaki, Japan

NAME 名称 DYNAMIC D1100D 2.0mmPITCH  
REC HSG COLOR 4-20POS

PRODUCT SPEC 製品規格 108-78268, 78298  
APPLICATION SPEC 取付適用規格 114-5377

SIZE A3 CAGE CODE 00779 DRAWING NO 番号 C-2040555 RESTRICTED TO -

MATERIAL 材料 FINISH 仕上 -  
WEIGHT -

CUSTOMER DRAWING SCALE 尺度 4:1 SHEET 1 OF 2 REV C

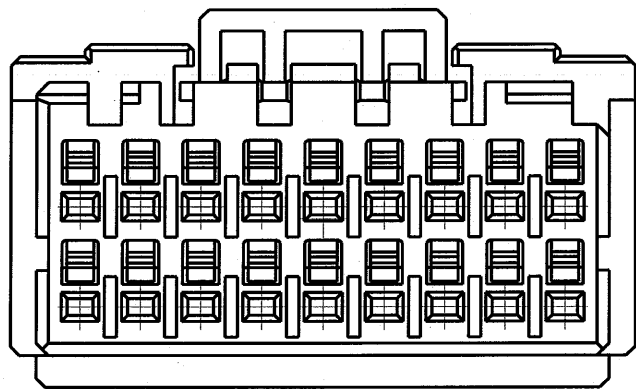
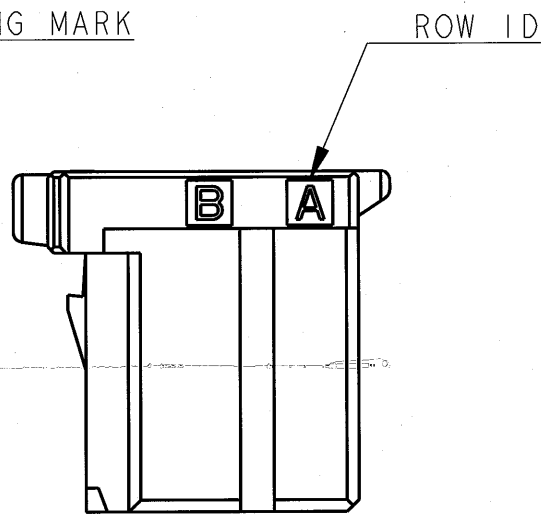
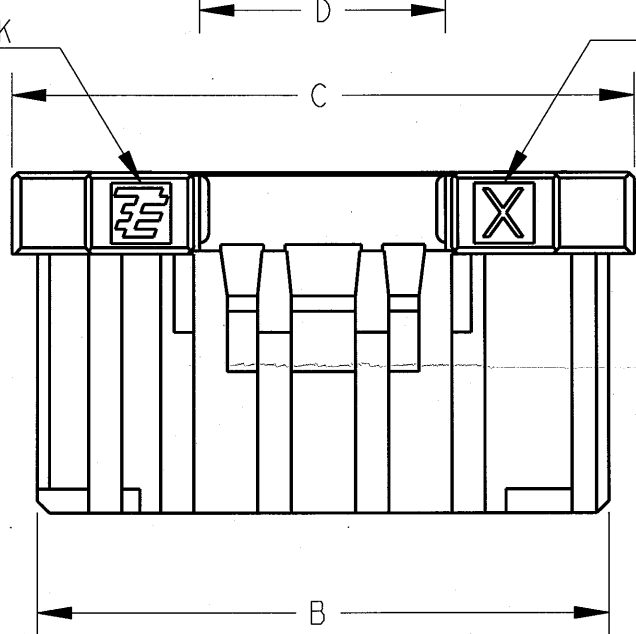
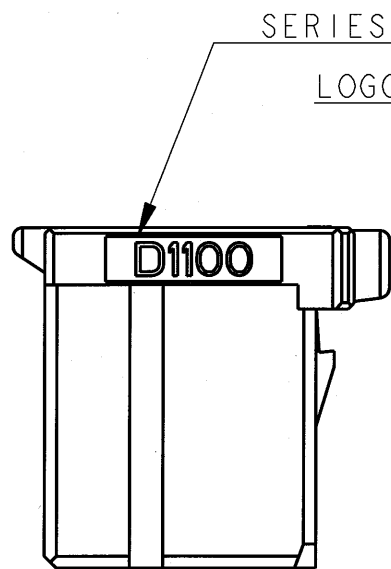
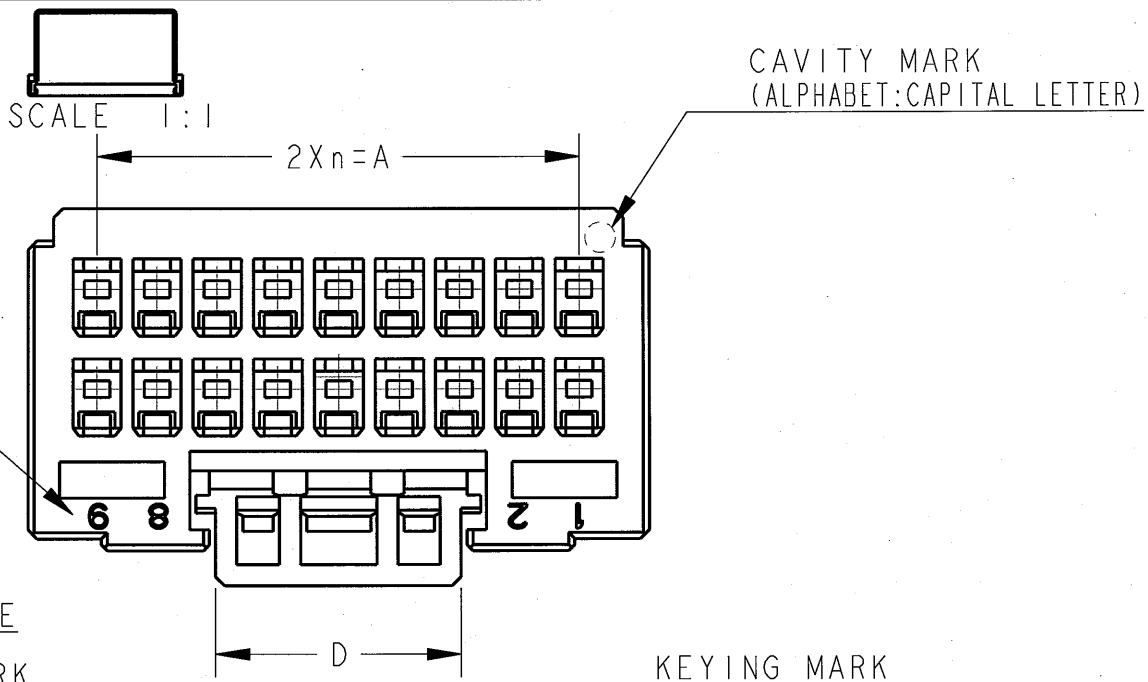
THIS DRAWING IS UNPUBLISHED.

RELEASED FOR PUBLICATION

20

© COPYRIGHT 20 BY TYCO ELECTRONICS CORPORATION. ALL RIGHTS RESERVED.

LOC	DIST	REVISIONS					
J	-	P	LTR	DESCRIPTION	DATE	DWN	APVD
				SEE SHEET 1 OF 2			



18POS(X-KEY) : \*-2040555-9

THIS DRAWING IS A CONTROLLED DOCUMENT FOR TYCO ELECTRONICS CORPORATION  
IT IS SUBJECT TO CHANGE AND THE CONTROLLING ENGINEERING ORGANIZATION  
SHOULD BE CONTACTED FOR THE LATEST REVISION.

DIMENSIONS: mm	TOLERANCES UNLESS OTHERWISE SPECIFIED:
	0 PLC ±
	1 PLC ±
	2 PLC ±
	3 PLC ±
	4 PLC ±
	ANGLES ±
MATERIAL	FINISH

DWN	SEE SHEET 1	Tyco Electronics Corporation Kawasaki, Japan
CHK	SEE SHEET 1	
APVD	SEE SHEET 1	
PRODUCT SPEC	-	
NAME	DYNAMIC D1100D 2.0mmPITCH REC HSG COLOR 4-20POS	
APPLICATION SPEC	-	
WEIGHT	-	
CUSTOMER DRAWING	SCALE 4:1	SHEET 2 OF 2

SIZE	CAGE CODE	DRAWING NO	RESTRICTED TO
A3	00779	C-2040555	-