
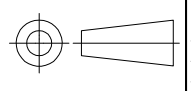


THIS DRAWING IS UNPUBLISHED. RELEASED FOR PUBLICATION
 © COPYRIGHT - By - ALL RIGHTS RESERVED.

LOC	DIST	REVISIONS					
FT	8	P	LTR	DESCRIPTION	DATE	DWN	APVD
			AV1	REVISED PER ECO-13-008672	31AUG2013	KH	DR

- △1 DIALLYL PHTHALATE, BLUE.
- △2 STAINLESS STEEL.
- △3 STEEL, NICKEL PLATED.
- △4 ALUMINUM, IRIDITE.
- △5 PHENOLIC, BLACK.
- △6 ALUMINUM, ANODIZED.
- △7 OBSOLETE PART NO.

OBSOLETE									
△7	△7	△7	△7	△7	△7				
-	-	-	-	-	1	200867-1	△2	JACKSCREW ASSY, FEMALE, LONG	22
1	-	-	-	-	-	200517-1	△6	180° SHIELD, 2 PIECE	21
-	2	2	-	-	-	200330-2		#4-40 SCREW	20
-	2	2	-	-	-	200773-2		#4-40 NUT	19
-	2	2	-	-	-	200503-1		#4 LOCKWASHER	18
-	-	-	1	-	-	201350-2	△4	PIN HOOD EXTERNAL	17
-	-	-	-	1	-	204814-1		GROUNDING CONNECTOR - 34 POSN	16
-	-	-	-	1	-	4-202430-5		ASSEMBLED KIT - 34 POSN	15
-	-	-	-	-	34	66105-1		CONTACT ASSY SOCKET	14
-	-	2	2	-	-	200835-2	△2	CONTACT SOCKET CORNER	13
-	-	2	2	-	-	200833-2	△2	CONTACT PIN CORNER	12
-	1	1	-	-	-	201224-1	△3	STRAIN RELIEF ASSY	11
-	-	-	-	-	1	201846-1	△3	STRAIN RELIEF ASSY, LONG	10
1	-	-	-	-	-	201413-1	△2	JACKSCREW ASSY MALE, LONG	9
1	-	-	-	-	-	201414-1	△2	JACKSCREW ASSY FEMALE, LONG	8
-	2	-	-	-	-	203535-2		JACKSCREW SPECIAL	7
-	-	1	1	-	-	200874-1	△2	FIXED JACKSCREW ASSY, MALE	6
-	-	1	1	-	-	200875-1	△2	FIXED JACKSCREW ASSY, FEMALE	5
-	-	-	-	-	1	200871-1	△2	JACKSCREW ASSY, LONG	4
1	-	-	-	-	-	201357-1	△5	BLOCK	3
-	1	1	-	-	1	200838-2	△5	BLOCK FEMALE	2
-	-	-	1	-	-	201357-3	△1	BLOCK, MALE, DEEP	1
8-76-03-92-92-8-2						PART NO		DESCRIPTION	ITEM NO

THIS DRAWING IS A CONTROLLED DOCUMENT.		DWN K.FOLTZ 05/31/94	 TE Connectivity CONNECTOR KIT, UNASSEMBLED, 34 POSN, M SERIES		
DIMENSIONS: mm [INCHES]		CHK R.STONE 06/16/94			
TOLERANCES UNLESS OTHERWISE SPECIFIED:		APVD T.COULSON 06/17/94			
0 PLC ± - 1 PLC ± - 2 PLC ± - 3 PLC ± - 4 PLC ± - ANGLES ± -		NAME			
		PRODUCT SPEC	RESTRICTED TO		
MATERIAL		APPLICATION SPEC	SIZE	CAGE CODE	DRAWING NO
FINISH		WEIGHT	A3	00779	C-203736
CUSTOMER DRAWING			SCALE	SHEET	REV
			2:1	1 OF 1	AV1