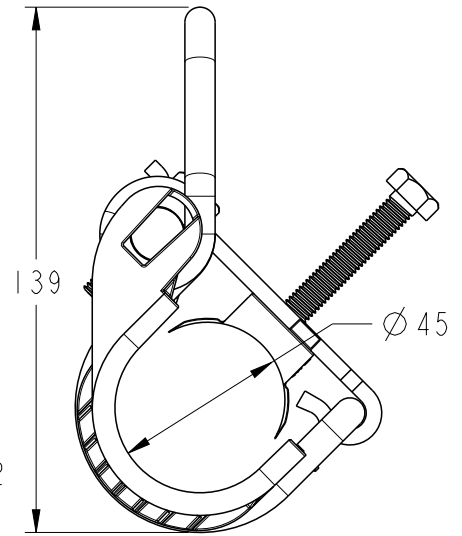
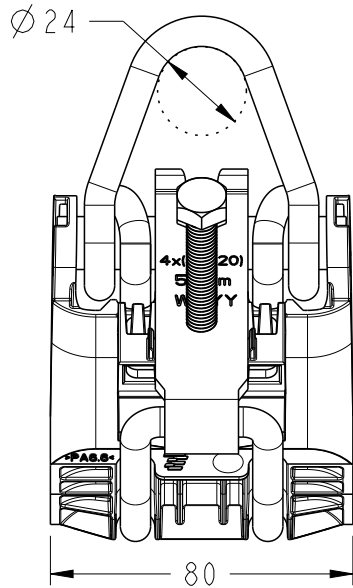
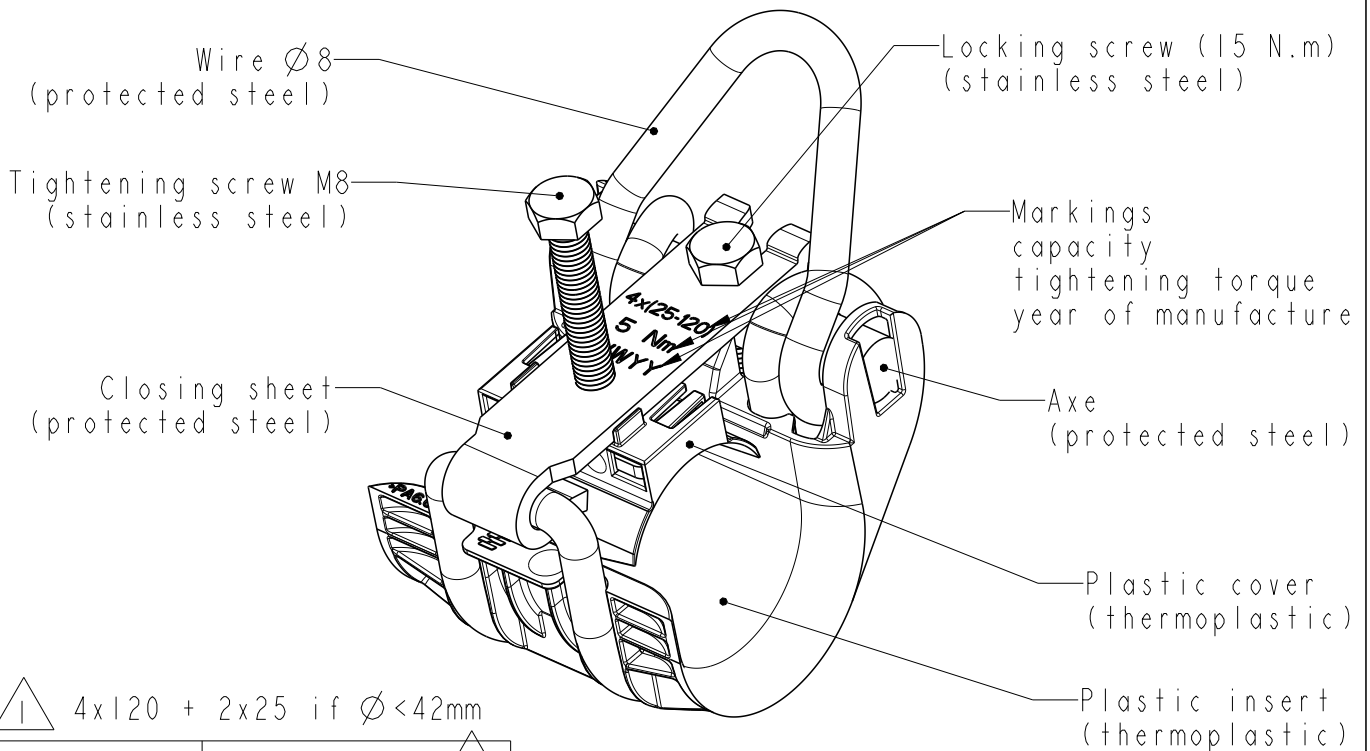


LOC	DIST	REVISIONS					
FH	00	P	LTR	DESCRIPTION	DATE	DWN	APVD
		D		NOTE "15 N.m" ADDED	22FEB2013	NH	RB
		C		COATING MODIFIED	03JUL2009	RB	AG



ECHELLE 1:2



⚠ 4x120 + 2x25 if $\varnothing < 42\text{mm}$

2037052-1	4x25 - 4x120	⚠
Part number	Capacity	

TOLERANCES UNLESS OTHERWISE SPECIFIED	-
TOLERANCES NON SPECIFIEES:	-
FINISH	-

DIMENSIONS:	
mm	
TOLERANCES UNLESS OTHERWISE SPECIFIED:	
0 PLC	±0
1 PLC	±0
2 PLC	±0
3 PLC	±0
4 PLC	±0
ANGLES	±-

DWN	R.BUTHIOT	12FEB2008
CHK	E. DEREY	-
APVD	G. NEDELLEC	-
PRODUCT SPEC	-	
APPLICATION SPEC	-	
WEIGHT	500	
CUSTOMER DRAWING		

MATERIAL		FINISH	
-		-	
NAME USC 25-120			
SIZE	CAGE CODE	DRAWING NO	RESTRICTED TO
A4	-	C-2037052	-
SCALE 2:3		SHEET 1 OF 1	REV D

RELEASED FOR PUBLICATION 20

ALL RIGHTS RESERVED.

THIS DRAWING IS UNPUBLISHED. BY -

COPYRIGHT 20