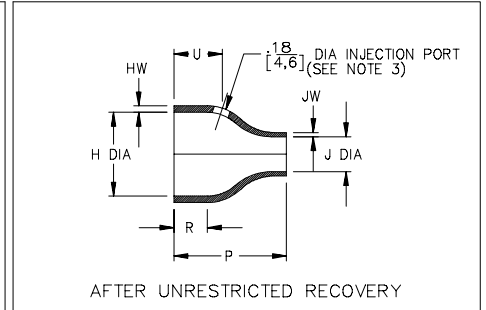
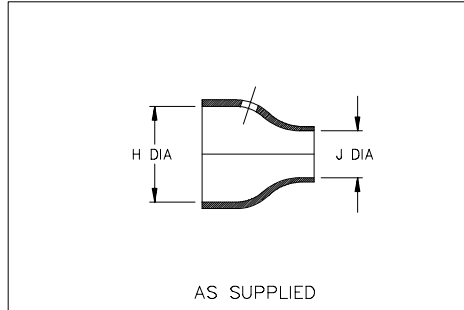


Thermofit[®] Molded Parts
 Specification Control Drawing
 Limited Distribution

Part Number : 202D242-XX-07
 Description : Boot, Straight

NOTES

- All dimensions are in $\frac{\text{inches}}{[\text{millimeters}]}$
- Dimensions appearing in table are as follows:
 a - As Supplied
 b - After Unrestricted Recovery
- One plug supplied with each part, Part No. 002A011.



PART NUMBER	H		J		P	R	U	HW	JW
	Min	Max	Min	Max					
	a	b	a	b	±10%	±10%	±10%	±20%	±20%
202D242-XX-07	1.00 [25,4]	.90 [22,9]	.57 [14,5]	.38 [9,7]	1.21 [30,7]	.36 [9,1]	.50 [12,7]	.07 [1,8]	.04 [1,0]

If this document is printed it becomes uncontrolled.
 Check for the latest revision.

Raychem

RAYCHEM CORPORATION
 300 CONSTITUTION DRIVE
 MENLO PARK, CALIFORNIA 94025
 (415) 361-6055

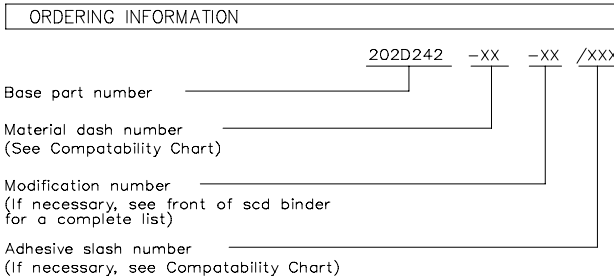
Revision : A
 Date : 07/25/91

Part Number : 202D242-XX-07
 Description : Boot, Straight

Thermofit[®] Molded Parts
 Specification Control Drawing
 Limited Distribution

Part Number : 202D242-XX-07
 Description : Boot, Straight

MATERIAL DASH NO.	MATERIAL DESCRIPTION	RT SPEC	COATING SLASH NO.	COATING S NO.	COATING DESCRIPTION
-3	Polyolefin, Semi-rigid	RT-301			
-25	Elastomer, Fluid Resistant	RT-1325			



THIS DRAWING IS SUBJECT TO CHANGE WITHOUT NOTICE; CONSULT YOUR NEAREST FIELD REPRESENTATIVE FOR CURRENT REVISION

Raychem

RAYCHEM CORPORATION
 300 CONSTITUTION DRIVE
 MENLO PARK, CALIFORNIA 94025
 (415) 361-6055

Revision : A
 Date : 07/25/91

Part Number : 202D242-XX-07
 Description : Boot, Straight