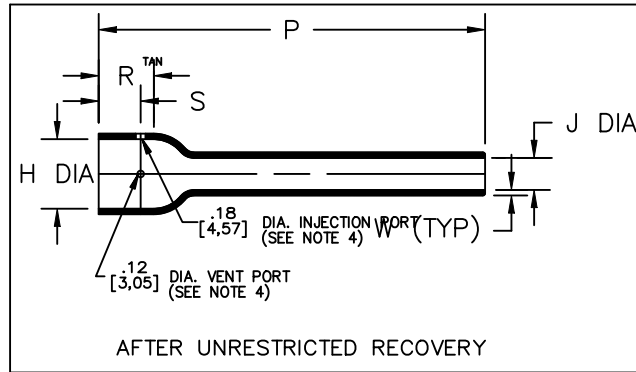
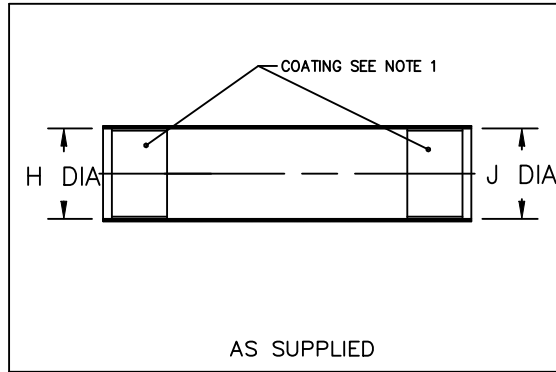


REVISIONS

P	LTR	DESCRIPTION	DATE	DWN	APVD
L1		REVISED PER ECN-23-219673	01JUN2023	MM	LR



PART NUMBER	H		J		P ±10% b	R Ref b	S Ref b	W ±20% b
	Min	Max	Min	Max				
	a	b	a	b				
202A312	.79 [20,1]	.64 [16,3]	.79 [20,1]	.24 [6,1]	5.00 [127,0]	.62 [15,7]	.50 [12,7]	.08 [2,03]
202A322	.96 [24,4]	.64 [16,3]	.96 [24,4]	.28 [7,1]	5.00 [127,0]	.62 [15,7]	.50 [12,7]	.08 [2,03]
202A333	1.20 [30,5]	.79 [20,1]	1.20 [30,5]	.35 [8,9]	5.75 [146,1]	.62 [15,7]	.50 [12,7]	.09 [2,29]
202A343	1.62 [41,1]	1.00 [25,4]	1.62 [41,1]	.40 [10,2]	6.38 [162,1]	.88 [22,4]	.76 [19,3]	.09 [2,29]
202A354	2.05 [52,1]	1.26 [32,0]	2.05 [52,1]	.58 [14,7]	7.06 [179,3]	1.00 [25,4]	.76 [19,3]	.10 [2,54]
202A364	2.63 [66,8]	1.63 [41,4]	2.63 [66,8]	.70 [17,8]	7.06 [179,3]	1.00 [25,4]	.76 [19,3]	.10 [2,54]

TE Connectivity. All Rights Reserved.



DIMENSIONS: INCHES	DWN	M MAZARIEGOS	01JUN2023	MATERIAL	-	FINISH	-						
	CHK	C LIMA	01JUN2023	TE Connectivity									
TOLERANCES UNLESS OTHERWISE SPECIFIED:	APVD	L RODRIGUEZ	01JUN2023					NAME					
	PRODUCT SPEC	Boot, Straight Long											
	APPLICATION SPEC	-											
0 PLC ± -	1 PLC ± -	2 PLC ± -	3 PLC ± -	4 PLC ± -	ANGLES ± -	SIZE	A4	CAGE CODE	00779	DRAWING NO	C-202A312THRU364	RESTRICTED TO	-
WEIGHT				0.000000	SCALE	DNS	SHEET	1	OF	2	REV	L1	
CUSTOMER DRAWING													

REVISIONS				
P	LTR	DESCRIPTION	DATE	APVD
	-	SEE SHEET 1	-	-

NOTES

- All dimensions are in  $\frac{\text{inches}}{[\text{millimeters}]}$
- Dimensions appearing in table are as follows:
  - a - As Supplied
  - b - After Unrestricted Recovery
- Coating is optional. As supplied dimensions appearing in table are for uncoated parts. When coating is added, entry diameters will be reduced by .06 max.
- Molding ports are optional. When -00 modification number is specified molding ports will be located as shown.

MATERIAL DASH NO.	MATERIAL DESCRIPTION	RT SPEC	COATING SLASH NO.	COATING S NO.
-3	Polyolefin, Semi-rigid	RT-301	/42,/86,/180	S-1017; S-1048; S-1030
-4	Polyolefin, Flexible	RT-1304	/42,/86,/180	S-1017; S-1048; S-1030
-12	*VITON, Flexible	RT-1312	N/A	
-25	Elastomer, Fluid Resistant	RT-1325	/42,/86,/225	S-1017; S-1048; S-1206

\*VITON is a Registered Trademark of Dupont

ORDERING INFORMATION

202A312 -X -XX /XXX

Base part number \_\_\_\_\_  
 Material dash number \_\_\_\_\_  
 (See Compatability Chart)  
 Modification number \_\_\_\_\_  
 (If necessary, see front of scd binder for a complete list)  
 Adhesive slash number \_\_\_\_\_  
 (If necessary, see Compatability Chart)

TE Connectivity. All Rights Reserved.



DIMENSIONS: INCHES	DWN	01JUN2023	MATERIAL	-	FINISH	-
	CHK	-	TE Connectivity			
TOLERANCES UNLESS OTHERWISE SPECIFIED:	APVD	-				
0 PLC ± -	PRODUCT SPEC	-	NAME			
1 PLC ± -	APPLICATION SPEC	-	Boot, Straight Long			
2 PLC ± -			SIZE	CAGE CODE	DRAWING NO	RESTRICTED TO
3 PLC ± -			A4	00779	☉-202A312THRU364	-
4 PLC ± -			CUSTOMER DRAWING			
ANGLES ± -	WEIGHT	0.000000	SCALE	DNS	SHEET	2 OF 2
					REV	L1