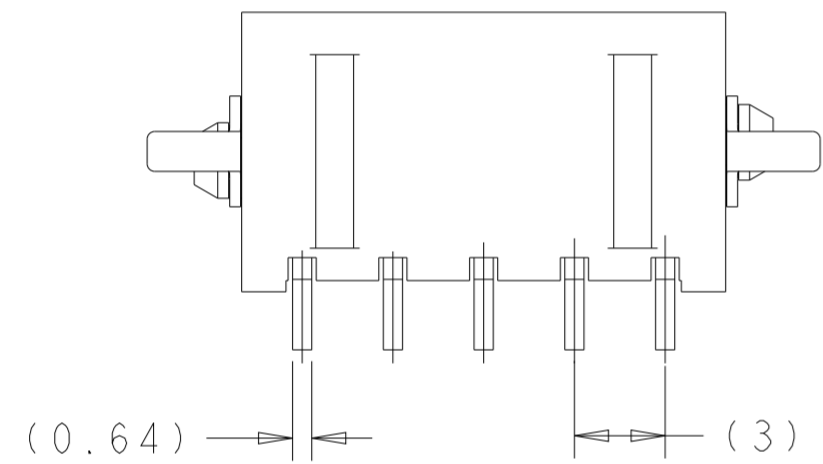
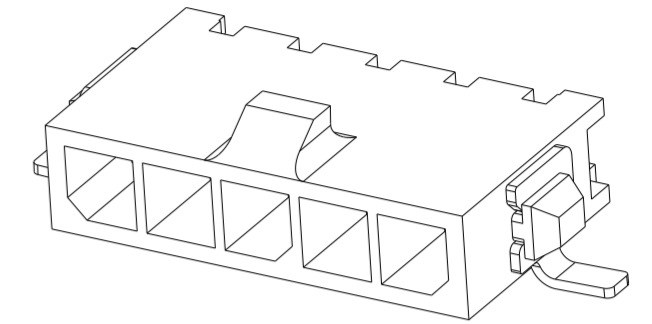
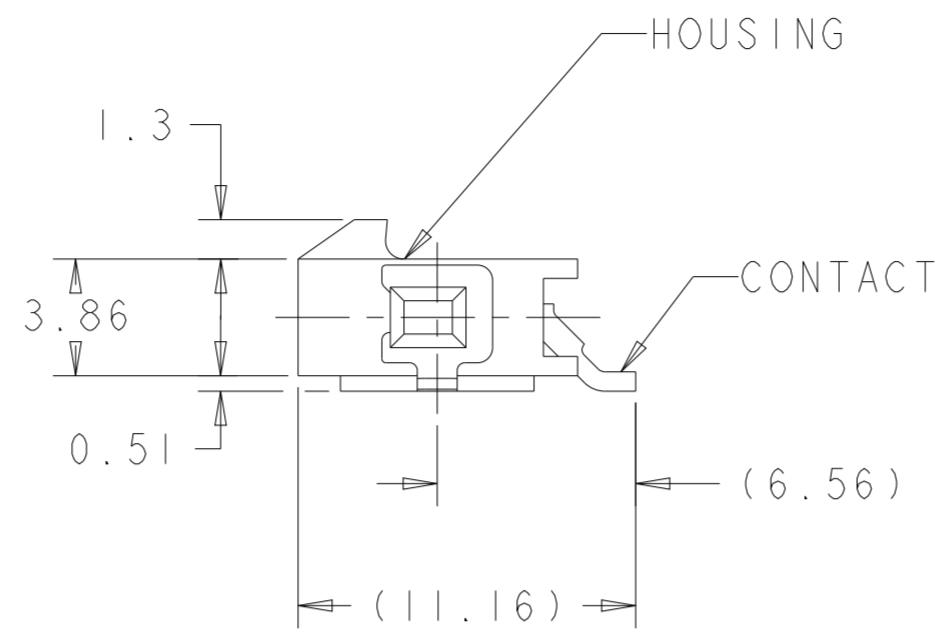
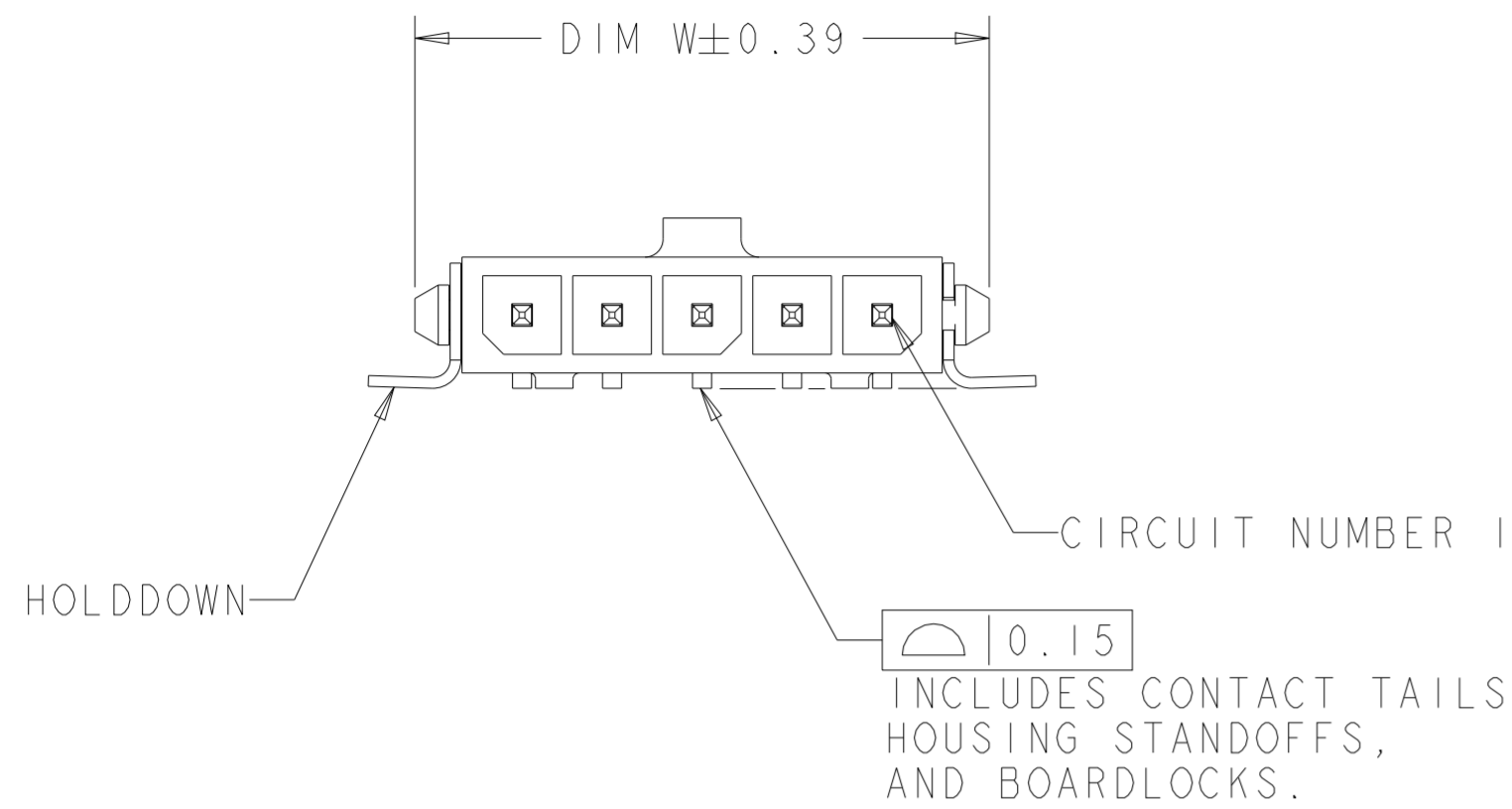
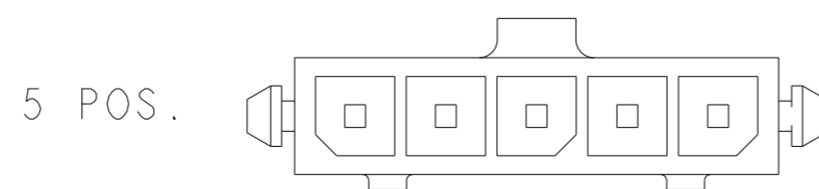
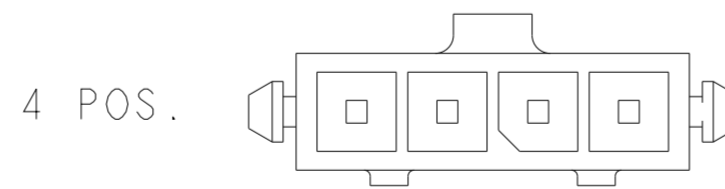
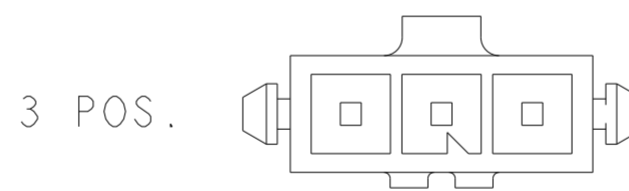
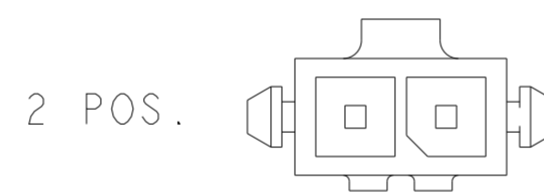


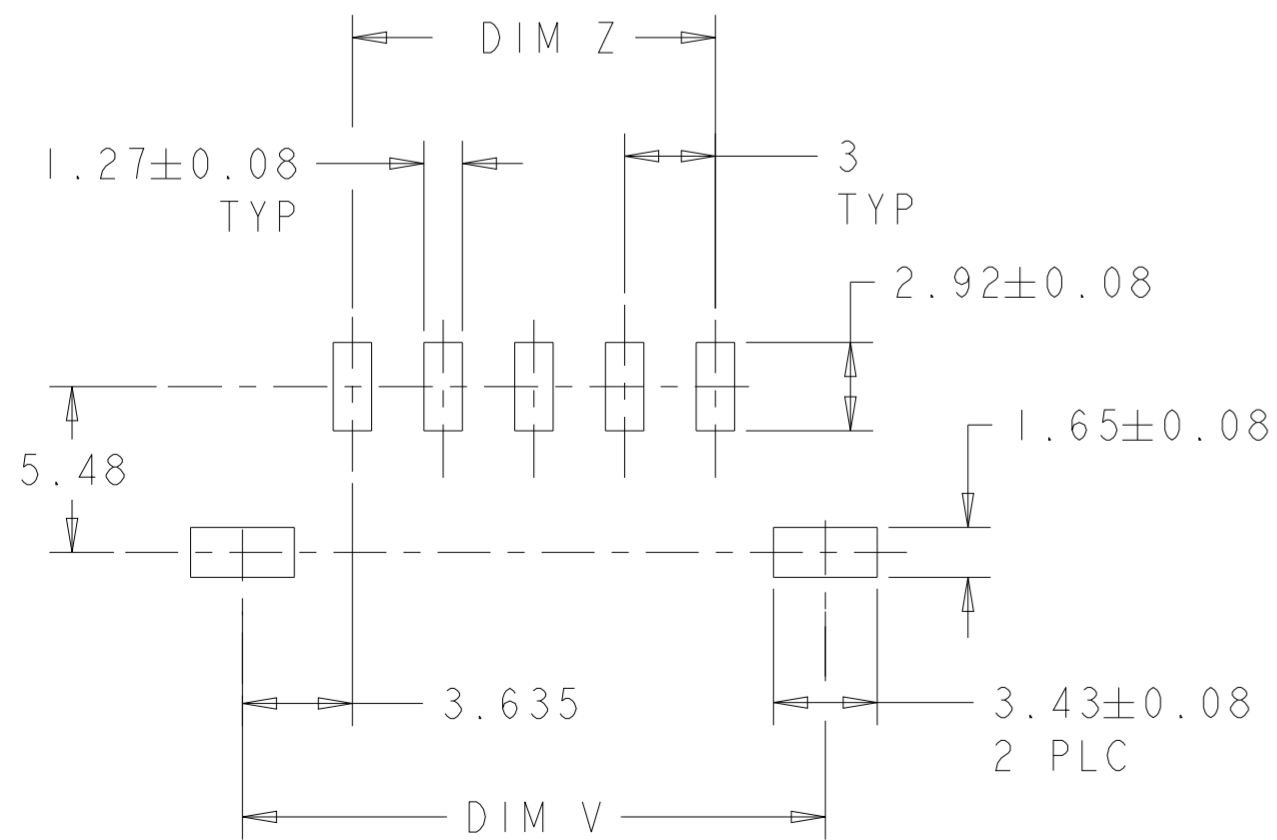
P	LTR	DESCRIPTION	DATE	DWN	APVD
B		REVISED PER ECO-11-010355	08JUN2011	HMR	JR
B1		ECO-19-006934	10MAY2019	AP	WS
B2		REVISED PER ECN-23-198901	23FEB2023	WLS	VS
B3		REVISED PER ECN-24-270554	13JUN2024	WLS	JP



- ① MATERIAL: HOUSING - UL 94V-0 RATED HIGH TEMP NYLON, COLOR NATURAL.
CONTACTS - BRASS.
HOLDDOWNS - PHOSPHOR BRONZE.
- ② PLATING: CONTACTS - 2.54µm MIN TIN OVER 1.27µm MIN NICKEL.
HOLDDOWNS - 2.54µm MIN TIN OVER 1.27µm MIN NICKEL.
- ③ RECOMMENDED PC BOARD THICKNESS OF 1.57



KEYING BY POSITION SIZE



PCB LAYOUT COMPONENT SIDE ③

OBSOLETE	12	19.27	19	5	2029076-5
OBSOLETE	9	16.27	16	4	2029076-4
OBSOLETE	6	13.27	13	3	2029076-3
	3	10.27	10	2	2029076-2
	DIM Z	DIM V	DIM W	NO. OF POSN	PART NUMBER

DIMENSIONS:		TOLERANCES UNLESS OTHERWISE SPECIFIED:		APVD		NAME	
mm		0 PLC ±		DWN	K. WHITAKER	TE Connectivity	
		1 PLC ±		CHK	C. JONES	RT ANGLE SURFACE MOUNT HEADER ASSY, TIN CONTACTS W/SURF MOUNT HOLDDOWNS, SINGLE ROW, MICRO MATE-N-LOK(TM)	
		2 PLC ±0.13		APVD	C. JONES	SIZE	CAGE CODE
		3 PLC ±		PRODUCT SPEC	108-1836	DRAWING NO	RESTRICTED TO
		4 PLC ±		APPLICATION SPEC	114-13000	A200779	C-2029076
		ANGLES ±°		WEIGHT	-	SCALE	4:1
		FINISH		CUSTOMER DRAWING		SHEET	OF
						REV	B3