

4

3

2

1

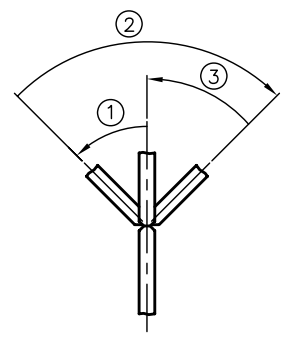
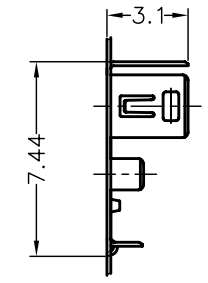
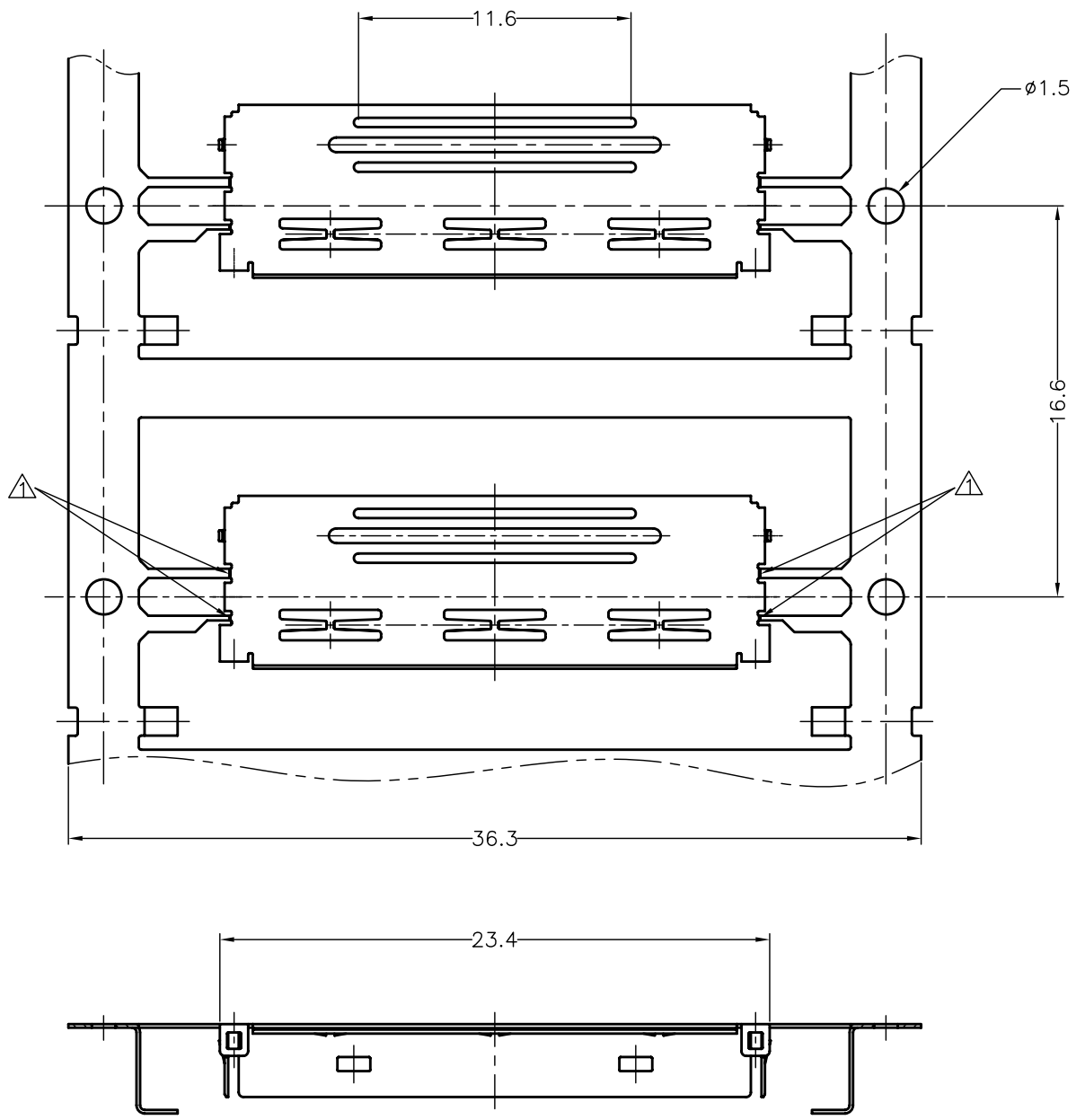
THIS DRAWING IS UNPUBLISHED. RELEASED FOR PUBLICATION  
 © COPYRIGHT BY TYCO ELECTRONICS CORPORATION. ALL RIGHTS RESERVED.

LOC		DIST		REVISIONS			
DW		P	LTR	DESCRIPTION	DATE	DWN	APVD
		C		REVISED (ECR-09-005903)	12MAR09	P.H	H.K

2023317-1: AS SHOWN

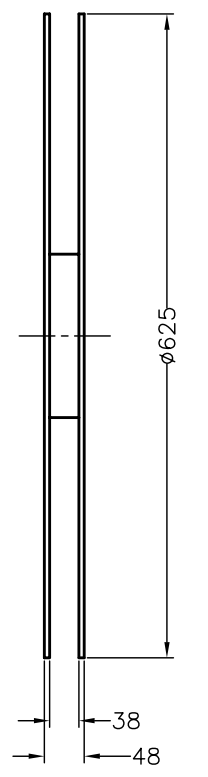
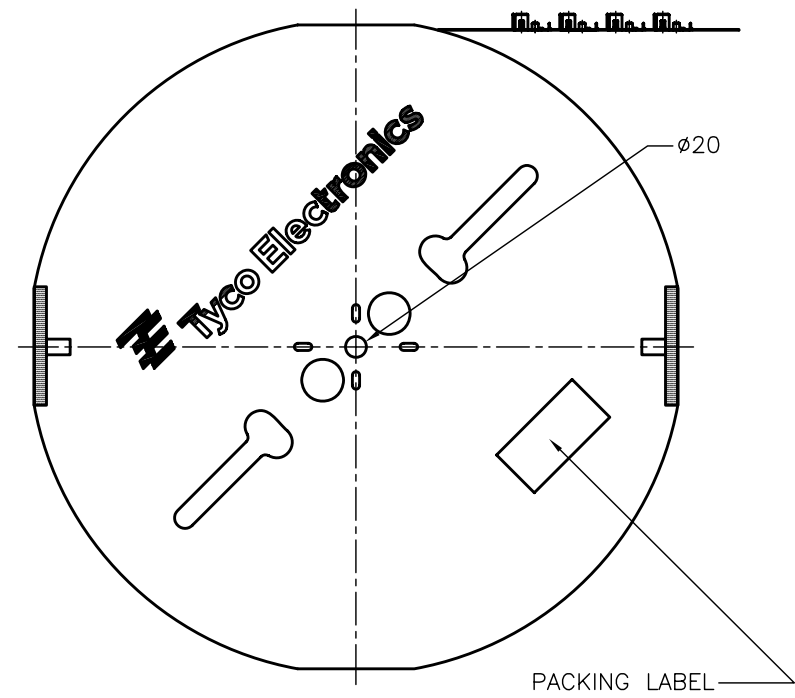
NOTES

- 1. NOTCH SHOULD BE CUT OFF WITHIN 3 PROCESS
- 2. QUANTITY: 3000 PCS/REEL



1 NOTCH CUT PROCESS

PULL OUT DIRECTION



①	UPPER SHELL	COPPER ALLOY	NI UNDER PL 0.0013mm MIN.ALL OVER TIN 0.002~0.005mm PL OVER UNDER NI PL
ITEM	NAME	MATERIAL	FINISH/COLOR

THIS DRAWING IS A CONTROLLED DOCUMENT.

DWN	P.HSU	25NOV08	Tyco Electronics Corporation Taipi, Taiwan
CHK	C.WAYDE	25NOV08	
APVD	H.KODAMA	25NOV08	NAME
PRODUCT SPEC			UPPER SHELL FOR 40 POS PLUG CONNECTOR LCD COAXIAL EMBEDDED DISPLAY INTERFACE (LCEDI) SR SERIES
APPLICATION SPEC			SIZE
WEIGHT			CAGE CODE
MATERIAL			DRAWING NO
FINISH			RESTRICTED TO
CUSTOMER DRAWING			A2 00779 2023317

SCALE 5:1 SHEET 1 of 1 REV C

2023317