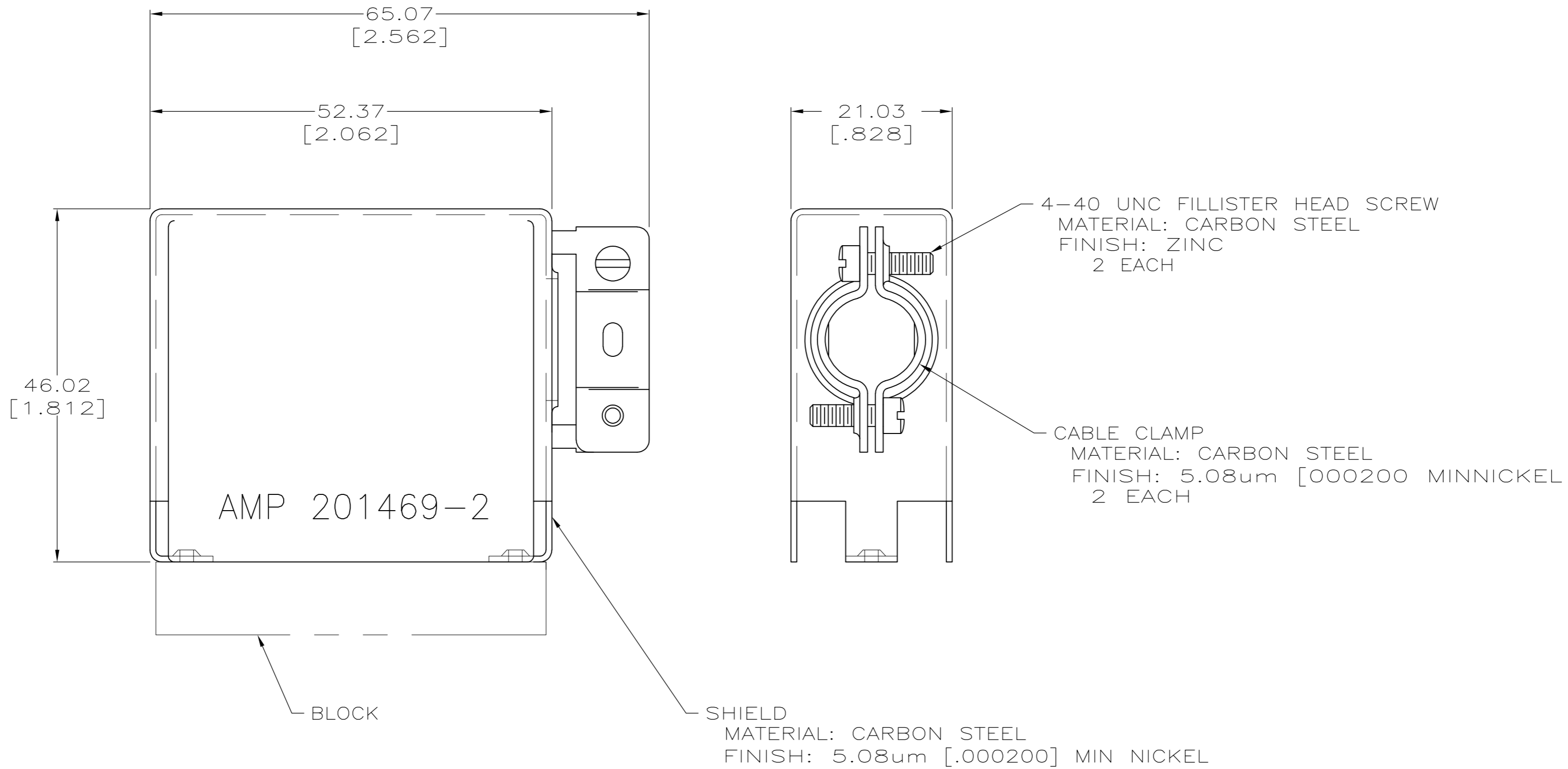


THIS DRAWING IS UNPUBLISHED. RELEASED FOR PUBLICATION
 © COPYRIGHT - By - ALL RIGHTS RESERVED.

REVISIONS				
P	LTR	DESCRIPTION	DATE	APVD
F2		REVISED PER ECO-16-004000	28SEP2016	NK MZ



ASSEMBLED VIEW

OBSOLETE	\triangle 3	—201469-3—
	\triangle 2	201469-2
	SCREW FINISH	PART NUMBER

- CABLE CLAMP WILL ACCEPT 34 WIRES OF 1.78 [.070] MAX DIA.
- \triangle FINISH: ZINC WITH HEXAVALENT CHROMATE.
- \triangle FINISH: ZINC WITH NON-HEVALENT CHROMATE.

THIS DRAWING IS A CONTROLLED DOCUMENT.		DWN C.DORWART 07 NOV 95	TE TE Connectivity	
DIMENSIONS: mm [INCHES]		CHK R.STONE 15 DEC 95		
TOLERANCES UNLESS OTHERWISE SPECIFIED:		APVD G.STEINHAUER 18 JAN 96	NAME SHIELD KIT, UNASSEMBLED, SHORT, 34 POSITION, M SERIES	
0 PLC ± -		PRODUCT SPEC -	SIZE A2	CAGE CODE 00779
1 PLC ± -		APPLICATION SPEC -	DRAWING NO C=201469	RESTRICTED TO -
2 PLC ± 0.38 [.015]		WEIGHT -	SCALE 2:1	SHEET 1 of 1
3 PLC ± -		CUSTOMER DRAWING	REV F2	
4 PLC ± -				
ANGLES ± -				
FINISH -				