

4

3

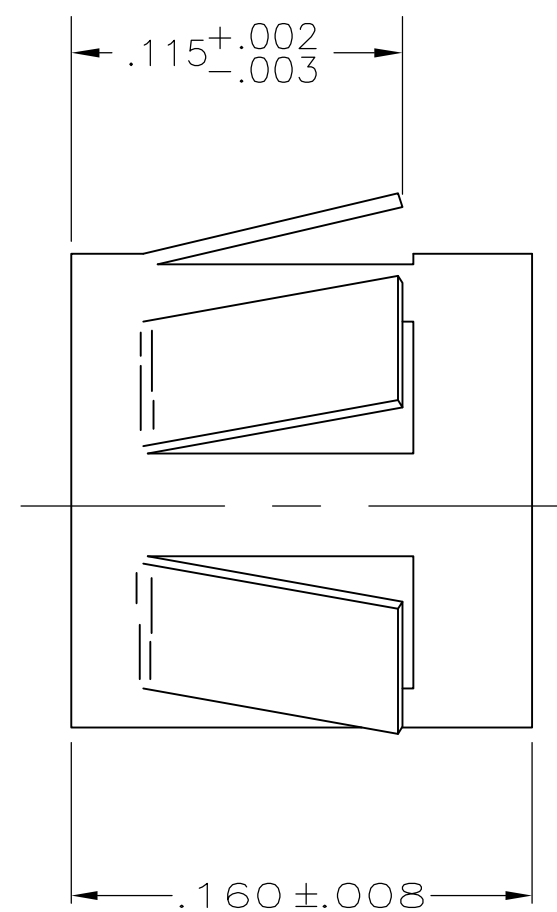
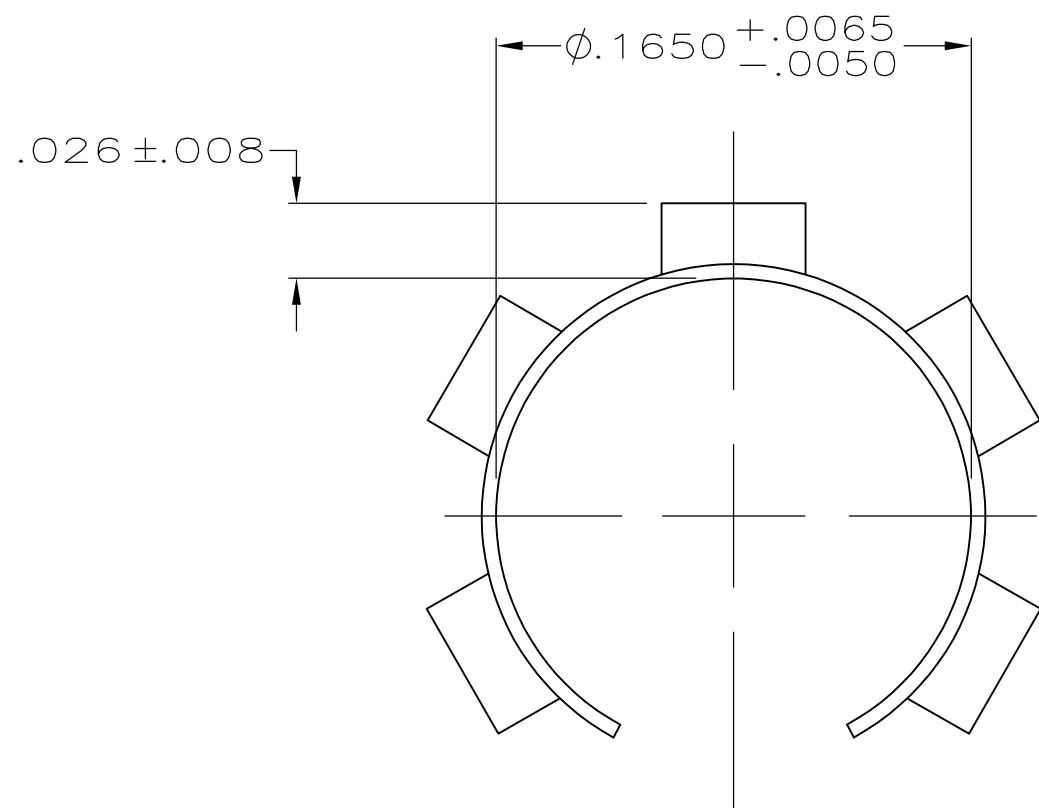
2

1

THIS DRAWING IS UNPUBLISHED. RELEASED FOR PUBLICATION
 © COPYRIGHT - BY TYCO ELECTRONICS CORPORATION. ALL INTERNATIONAL RIGHTS RESERVED.

LOC	DIST	REVISIONS					
AJ	16	P	LTR	DESCRIPTION	DATE	DWN	APVD
			S	REVISED PER ECO-10-007735	13APR10	HMR	WK

1 STAINLESS STEEL PER QQ-S-766



201142-2
PART NO

THIS DRAWING IS A CONTROLLED DOCUMENT.		DWN	J.KURTZ	2/21/90	Tyco Electronics Corporation Harrisburg, PA 17105-3608		
DIMENSIONS: INCHES		CHK	D.LAMAN	3-9-90	NAME SPRING,RETENTION		
TOLERANCES UNLESS OTHERWISE SPECIFIED:		APVD	M.SNEED	3-12-90	PRODUCT SPEC		
0 PLC ± -		APPLICATION SPEC		SIZE			RESTRICTED TO
1 PLC ± -		-		CAGE CODE			-
2 PLC ± -		-		DRAWING NO			
3 PLC ± .005		-		A3 00779 C-201142			
4 PLC ± -		-		SCALE			1 OF 1
ANGLES ± -		-		15:1			
MATERIAL		FINISH		WEIGHT		REV	
1		-		.000107 LB		S	
CUSTOMER DRAWING				SCALE		REV	
				15:1		S	