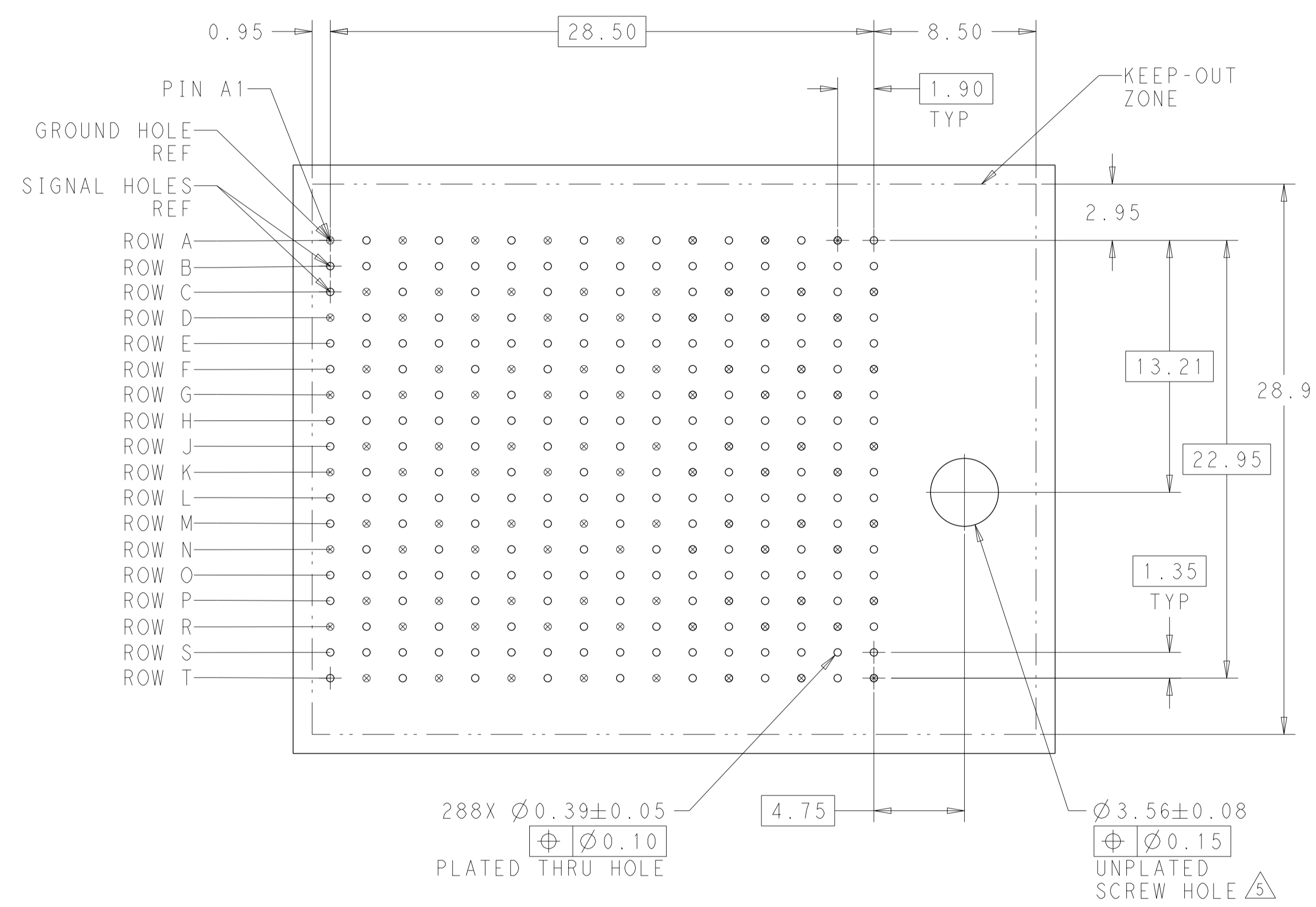
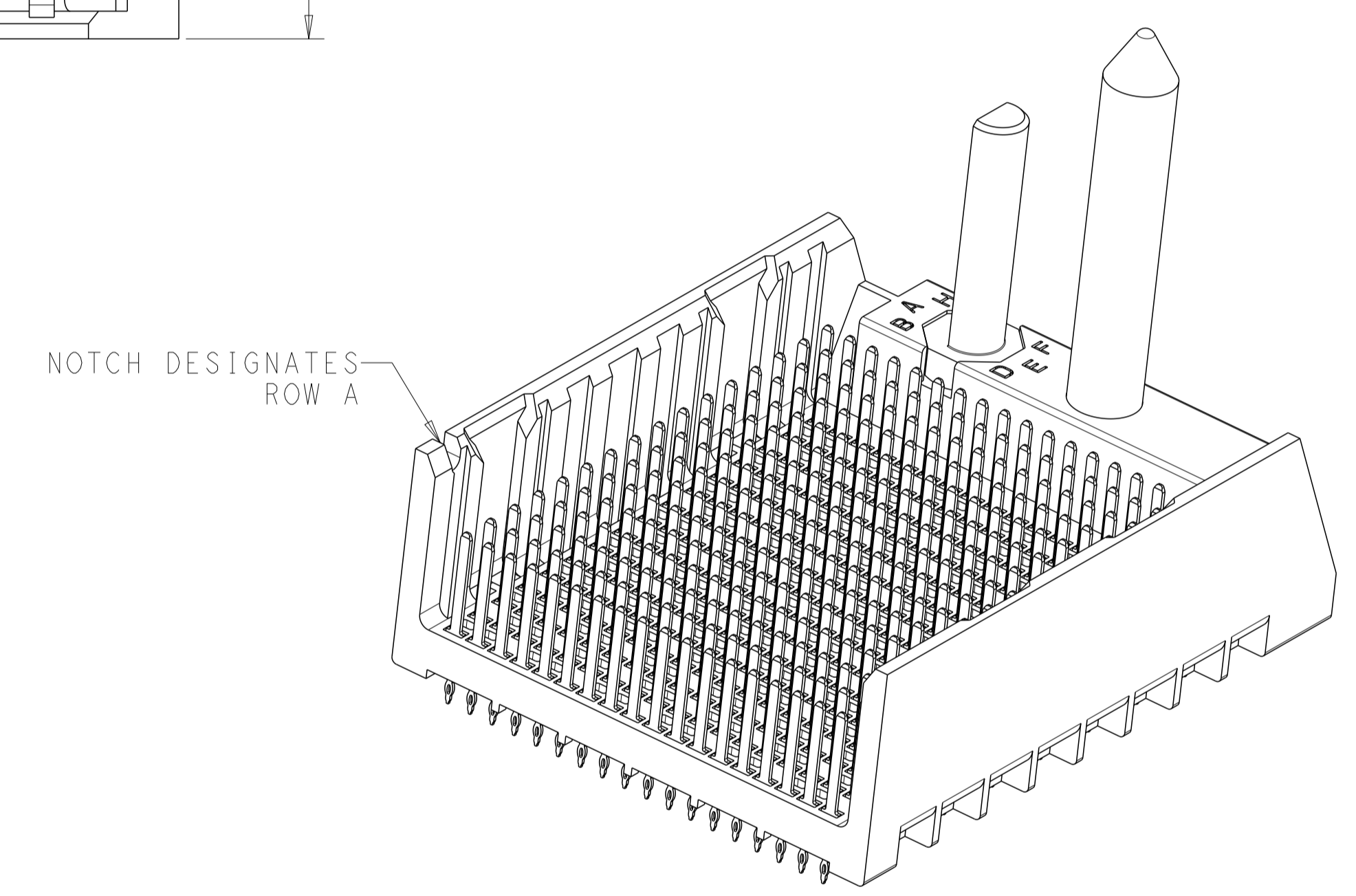
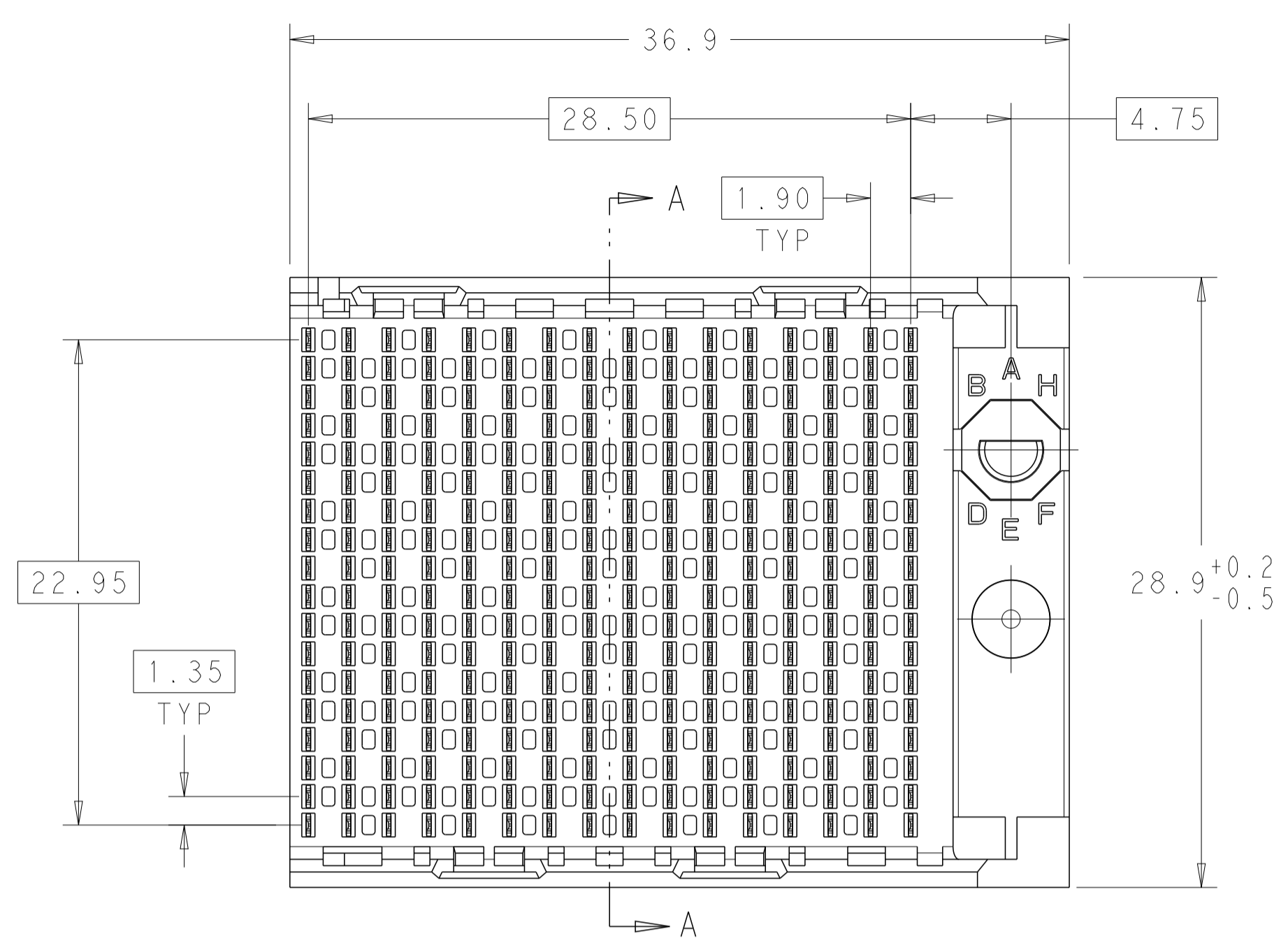
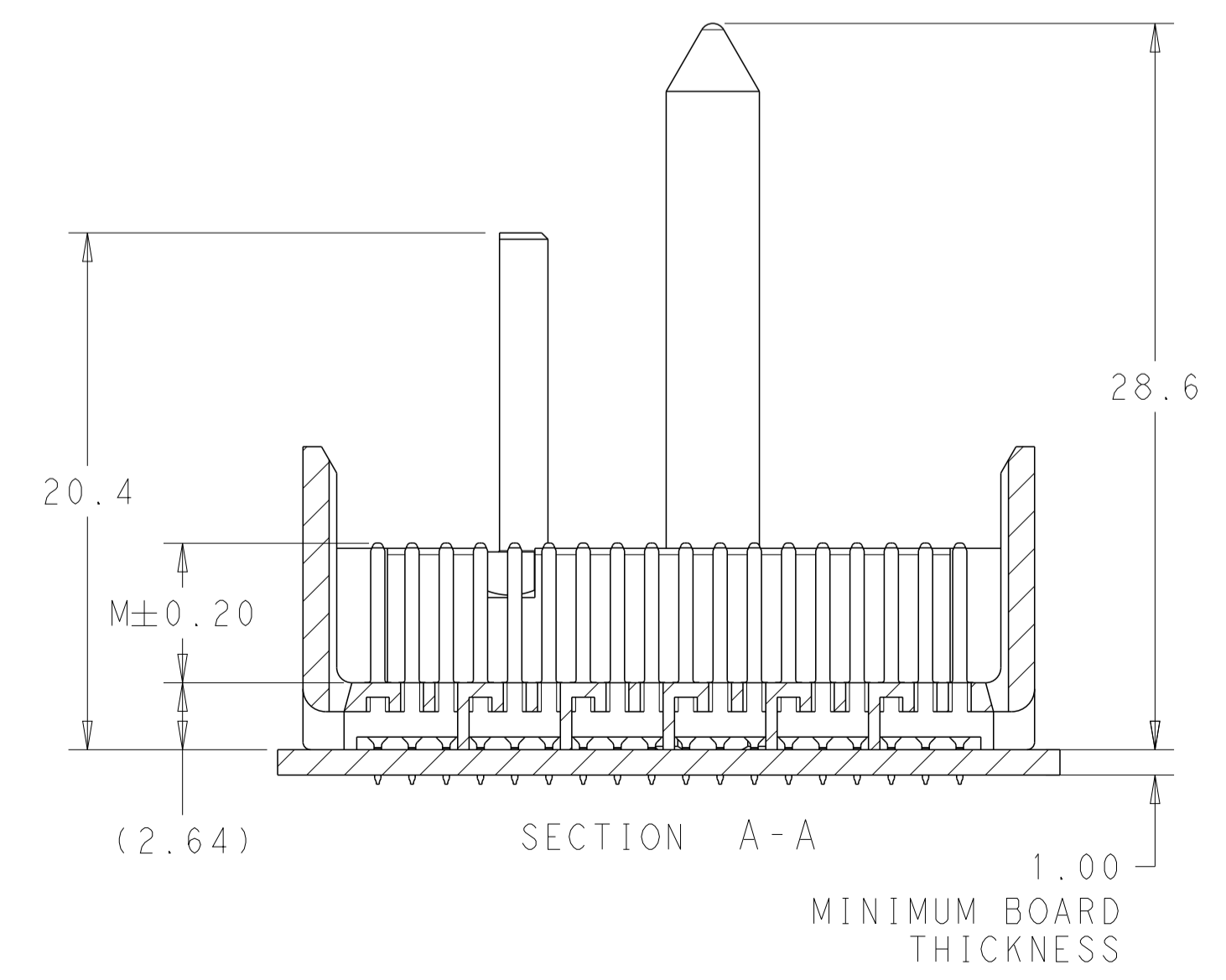
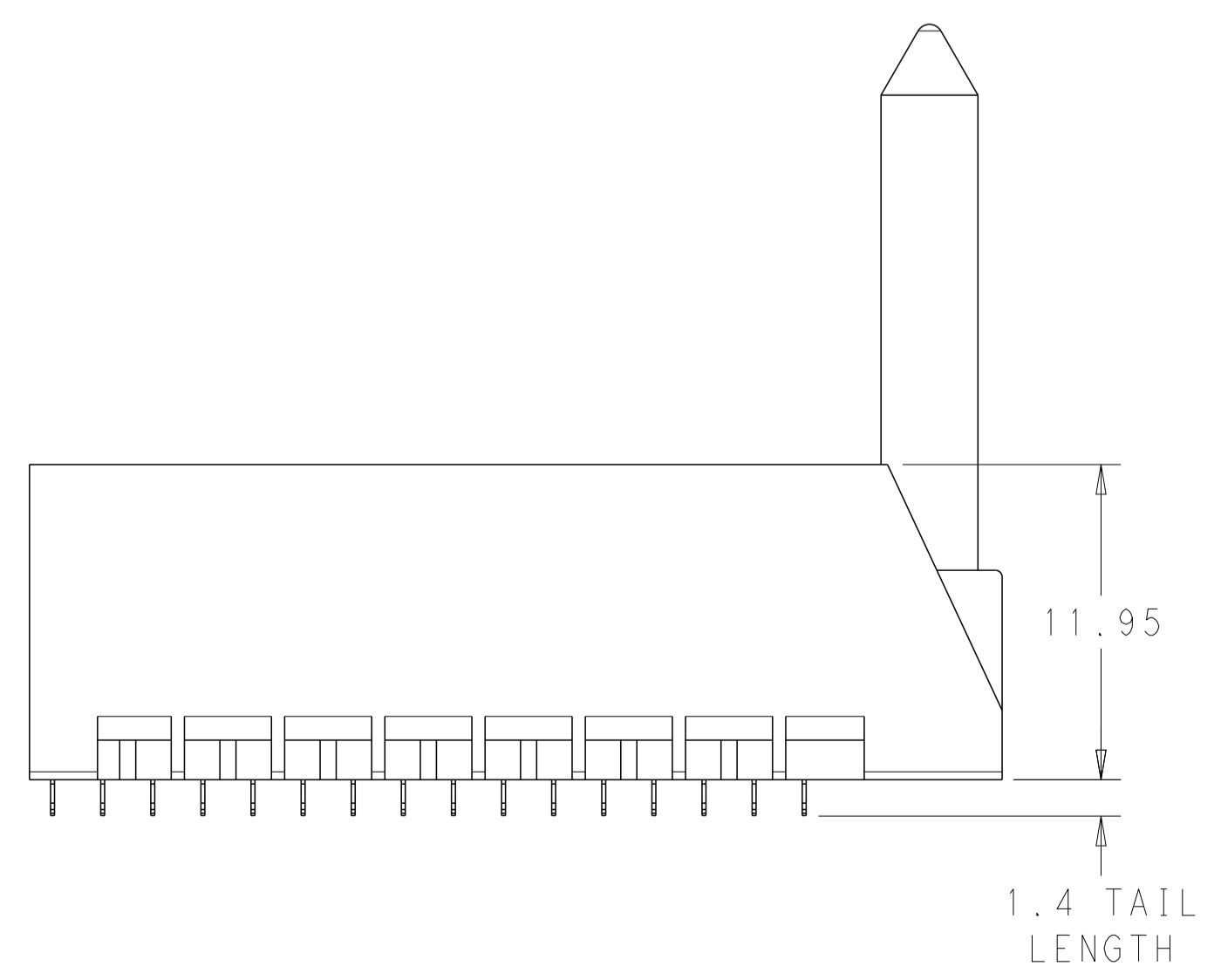


LOC	DIST	REVISIONS			
P	LTN	DESCRIPTION	DATE	DWN	APVD
B		REVISED PER ECO-11-025276	04JAN2012	KH	DY
B1		REVISED PER ECN-24-252171	11MAR2024	AP	RS



- 1 MATERIAL:  
HOUSING: LCP, GLASS FILLED, UL94V-0.  
TERMINALS: HIGH PERFORMANCE COPPER ALLOY.
- 2 FINISH:  
30μ" MIN GOLD IN CONTACT AREA. SELECTIVE TIN ON PCB TAILS, NICKEL OVERALL.
- 3 FINISH:  
30μ" MIN GOLD IN CONTACT AREA. SELECTIVE TIN-LEAD ON PCB TAILS, NICKEL OVERALL.
- 4. SCREWS PACKAGED IN END OF PACKAGING TUBE.
- 5 FOR GROUNDED GUIDE PIN USE Ø3.56±0.08 PTH, Ø3.66 DRILL, AND Ø6.5 PAD.
- 6. KEYING PIN SHOWN IN POSITION A, SEE KEYING CHART ON SHEET 2 FOR OTHER POSITIONS.



RIGHT GUIDED BACKPLANE HOLE PATTERN (CONNECTOR SIDE)

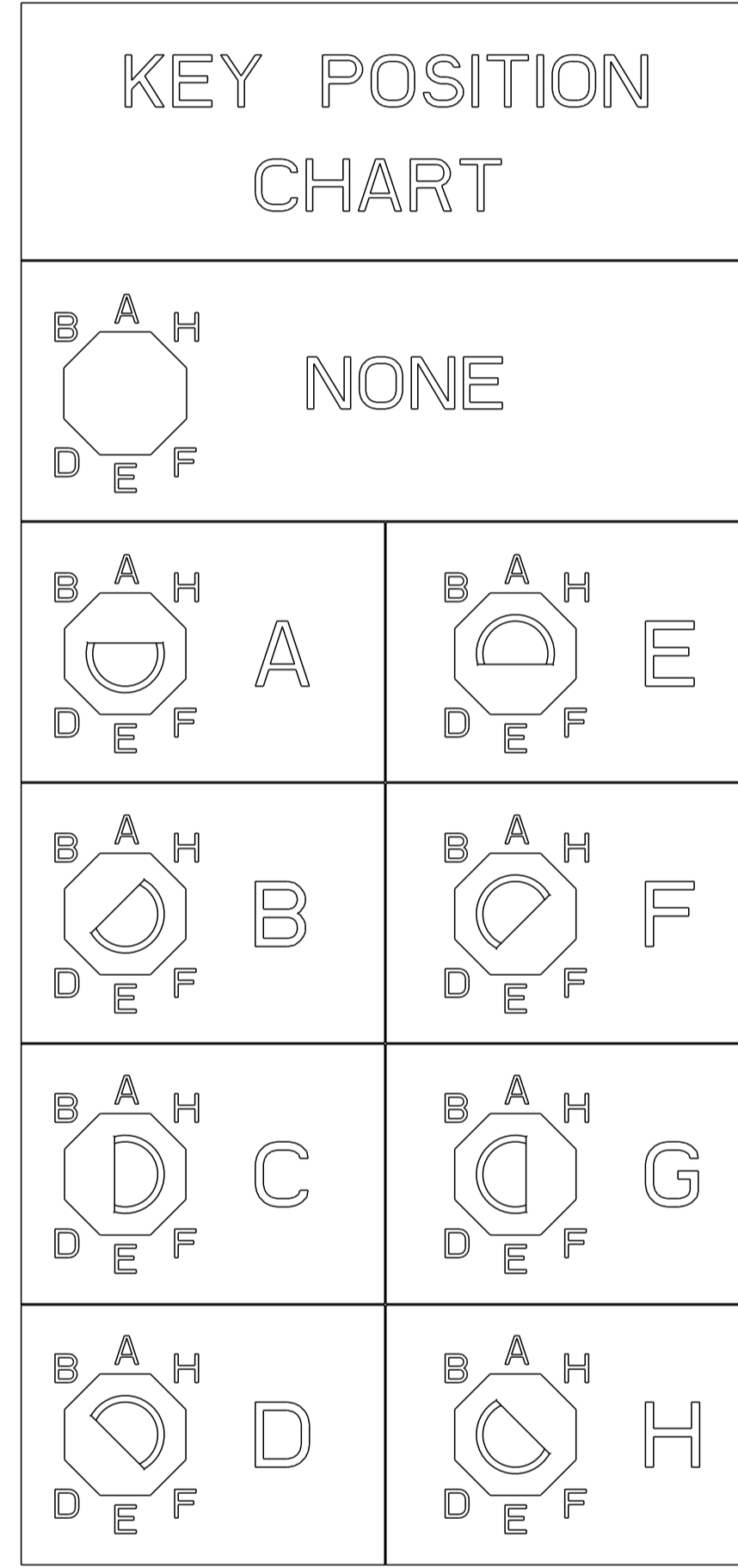
THIS DRAWING IS A CONTROLLED DOCUMENT.		DWN J. K. SHOBER 25JAN2011	TE Connectivity
DIMENSIONS: mm		CHK J. EARY 25JAN2011	
TOLERANCES UNLESS OTHERWISE SPECIFIED:		APVD J. EARY 25JAN2011	NAME IMPACT, 6 PAIR, 16 COLUMN, HEADER RIGHT GUIDED, OPEN END WALL SIGNAL MODULE, 0.39 PTH
0 PLC ±	1 PLC ±0.25	PRODUCT SPEC	SIZE CAGE CODE DRAWING NO RESTRICTED TO
2 PLC ±0.13	3 PLC ±	APPLICATION SPEC	A100779C=2007893
4 PLC ±	ANGLES ±	WEIGHT	SCALE 4:1 SHEET 1 OF 2 REV B1
MATERIAL FINISH SEE TABLE		CUSTOMER DRAWING	

LOC	DIST	REVISIONS					
		P	LTN	DESCRIPTION	DATE	DMN	APVD
AD	00	-	-	SEE SHEET 1	-	-	-

3	H	5.5	8-2007893-6	OBSOLETE
3	H	4.9	8-2007893-5	
3	H	4.5	8-2007893-4	
2	H	5.5	8-2007893-3	
2	H	4.9	8-2007893-2	
2	H	4.5	8-2007893-1	
3	G	5.5	7-2007893-6	
3	G	4.9	7-2007893-5	
3	G	4.5	7-2007893-4	
2	G	5.5	7-2007893-3	
2	G	4.9	7-2007893-2	
2	G	4.5	7-2007893-1	
3	F	5.5	6-2007893-6	
3	F	4.9	6-2007893-5	
3	F	4.5	6-2007893-4	
2	F	5.5	6-2007893-3	
2	F	4.9	6-2007893-2	
2	F	4.5	6-2007893-1	
3	E	5.5	5-2007893-6	
3	E	4.9	5-2007893-5	
3	E	4.5	5-2007893-4	
2	E	5.5	5-2007893-3	
2	E	4.9	5-2007893-2	
2	E	4.5	5-2007893-1	
3	D	5.5	4-2007893-6	
3	D	4.9	4-2007893-5	
3	D	4.5	4-2007893-4	
2	D	5.5	4-2007893-3	
2	D	4.9	4-2007893-2	
2	D	4.5	4-2007893-1	
3	C	5.5	3-2007893-6	
3	C	4.9	3-2007893-5	
3	C	4.5	3-2007893-4	
2	C	5.5	3-2007893-3	
2	C	4.9	3-2007893-2	
2	C	4.5	3-2007893-1	
3	B	5.5	2-2007893-6	
3	B	4.9	2-2007893-5	
3	B	4.5	2-2007893-4	
2	B	5.5	2-2007893-3	
2	B	4.9	2-2007893-2	
2	B	4.5	2-2007893-1	
3	A	5.5	1-2007893-6	
3	A	4.9	1-2007893-5	
3	A	4.5	1-2007893-4	
2	A	5.5	1-2007893-3	
2	A	4.9	1-2007893-2	
2	A	4.5	1-2007893-1	
3	-	5.5	2007893-6	
3	-	4.9	2007893-5	
3	-	4.5	2007893-4	
2	-	5.5	2007893-3	
2	-	4.9	2007893-2	
2	-	4.5	2007893-1	
FINISH	KEY POSITION	DIM M	PART NUMBER	

OBSOLETE

OBSOLETE



REFER TO WWW.TE.COM  
FOR PRODUCT AVAILABILITY

THIS DRAWING IS A CONTROLLED DOCUMENT.		DMN J. K. SHOBER	25JAN2011	<b>TE</b> Connectivity
DIMENSIONS:		CHK J. EARY	25JAN2011	
mm	TOLERANCES UNLESS OTHERWISE SPECIFIED:	APVD J. EARY	25JAN2011	NAME IMPACT, 6 PAIR, 16 COLUMN, HEADER RIGHT GUIDED, OPEN END WALL SIGNAL MODULE, 0.39 PTH
	0 PLC ±	PRODUCT SPEC		SIZE A100779
	1 PLC ±0.25	APPLICATION SPEC		CAGE CODE C=2007893
	2 PLC ±0.13			RESTRICTED TO
	3 PLC ±			
	4 PLC ±			
	ANGLES ±			
MATERIAL	FINISH	WEIGHT		
	SEE TABLE			
CUSTOMER DRAWING		SCALE	5:1	SHEET 2 OF 2
		REV	B1	