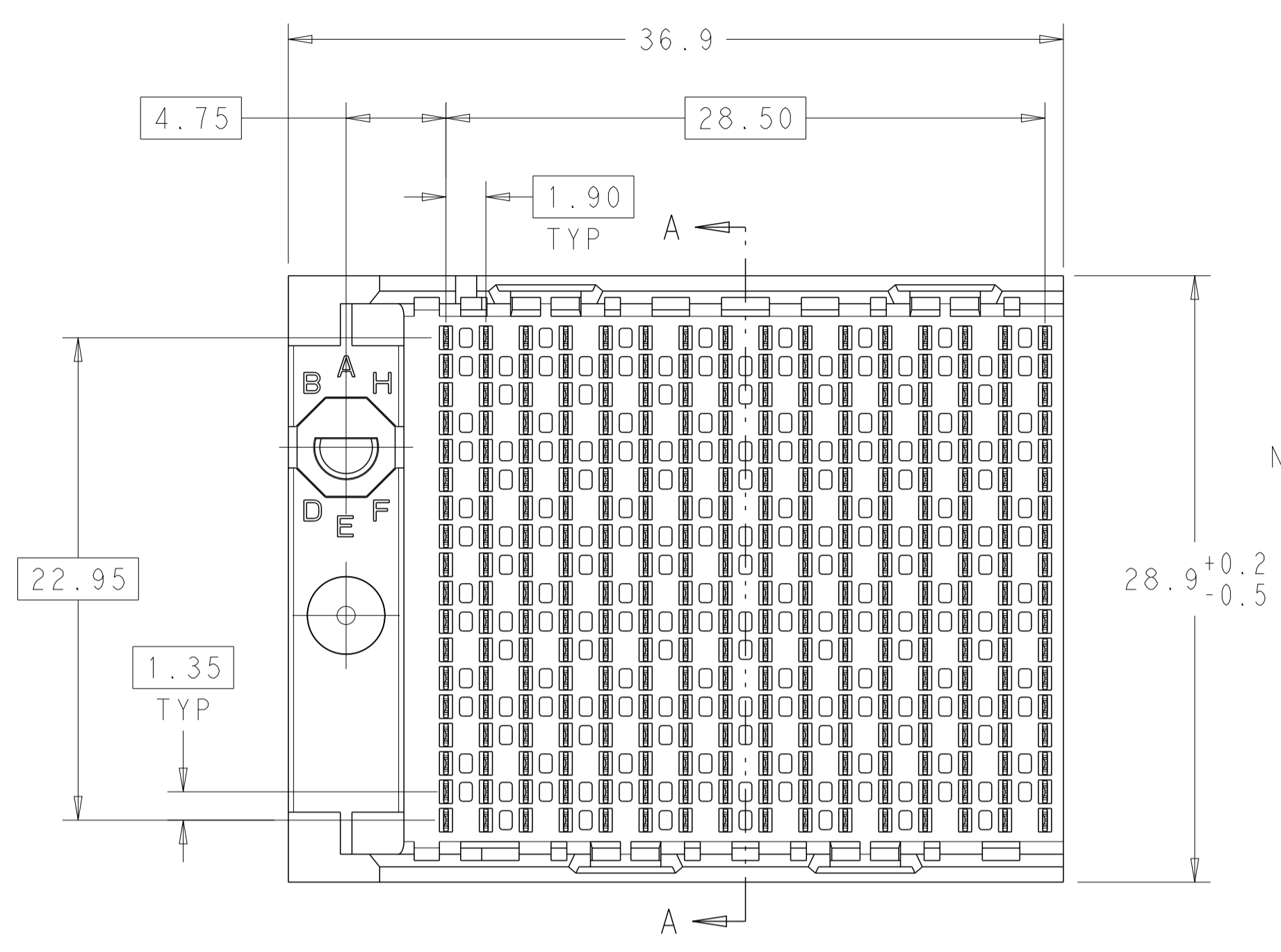
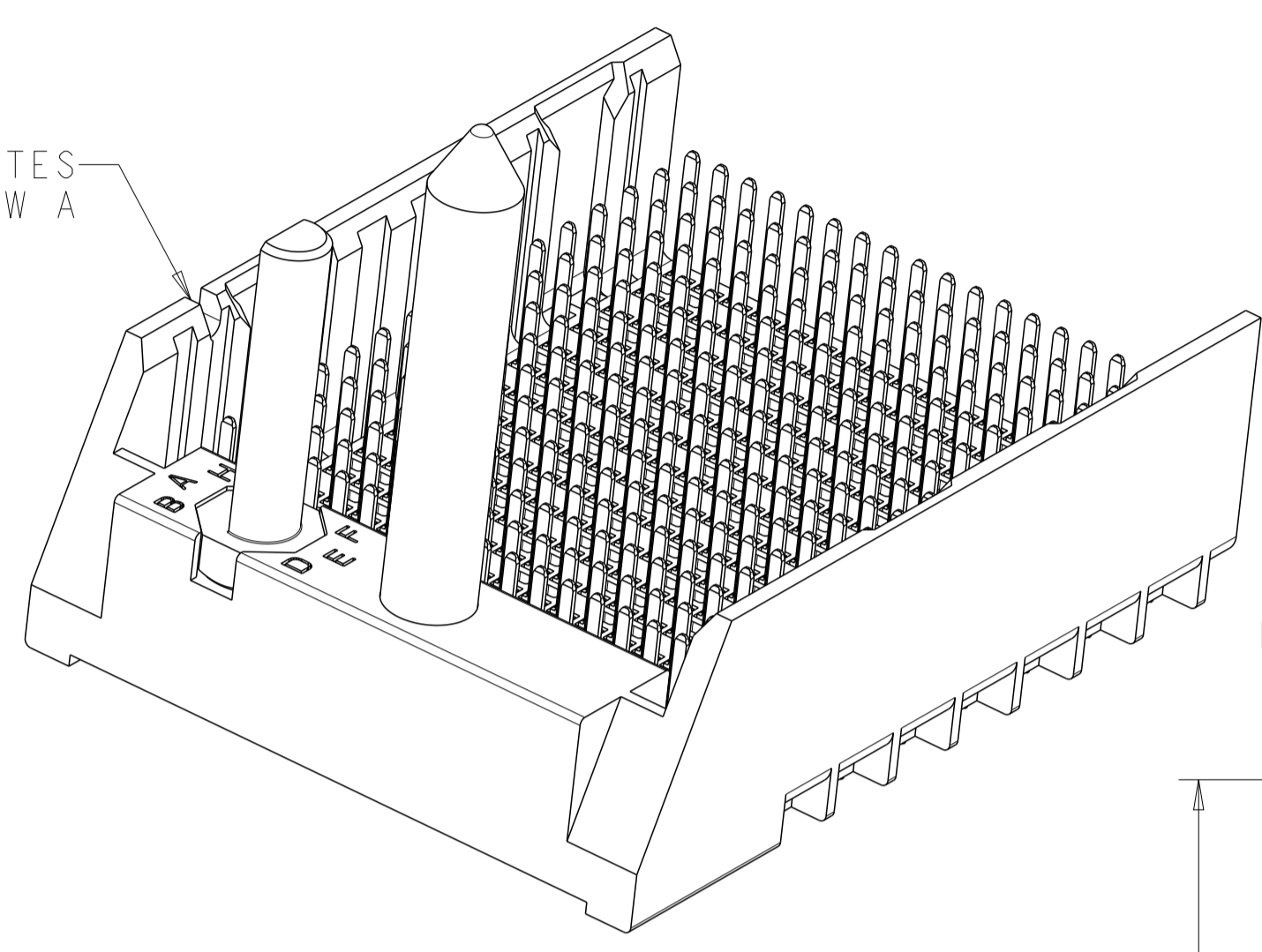


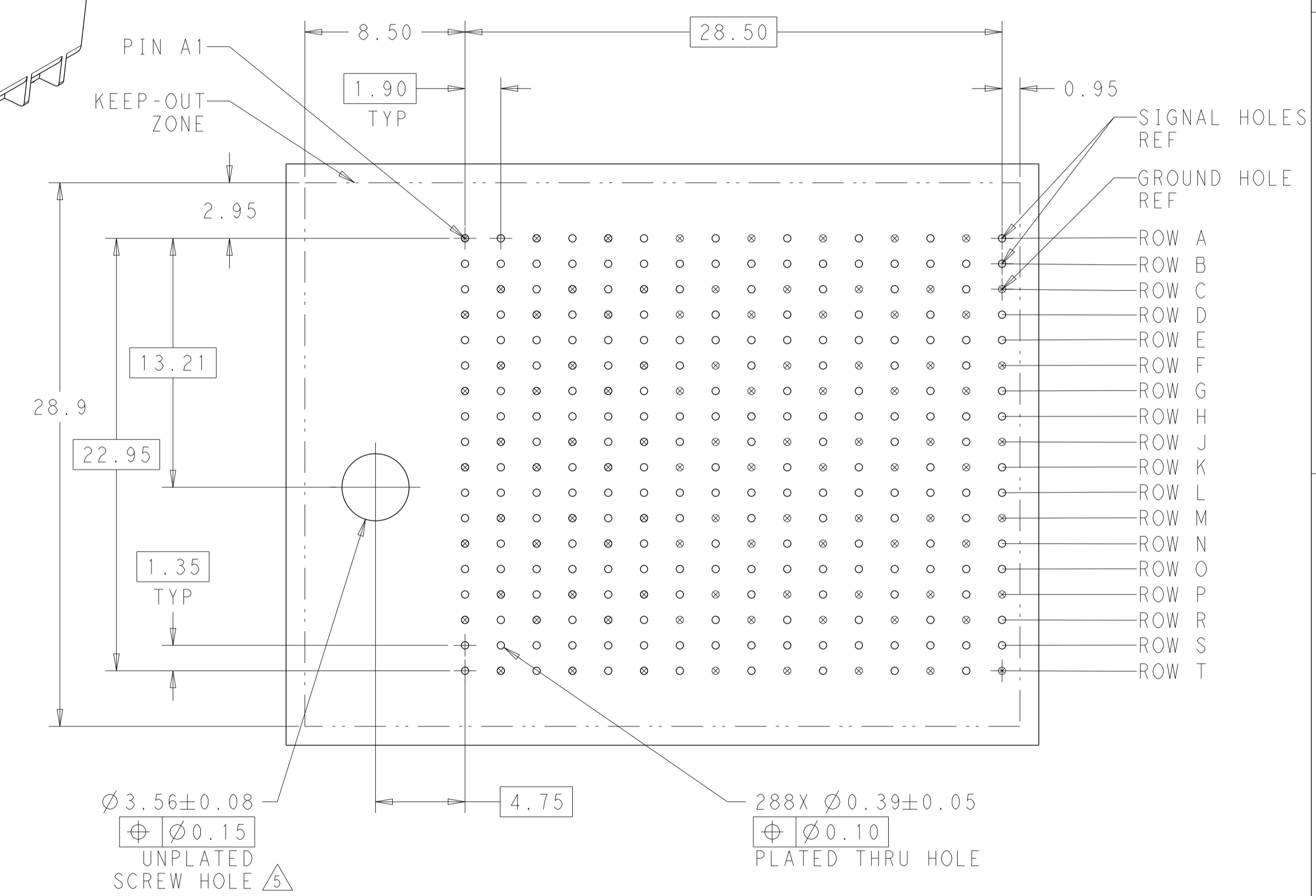
LOC	DIST	REVISIONS					
		P	LTN	DESCRIPTION	DATE	DWN	APVD
AD	00	B		REVISED PER ECO-11-025276	04JAN2012	KH	DY
		B1		REVISED PER ECN-24-252171	22FEB2024	AP	RS



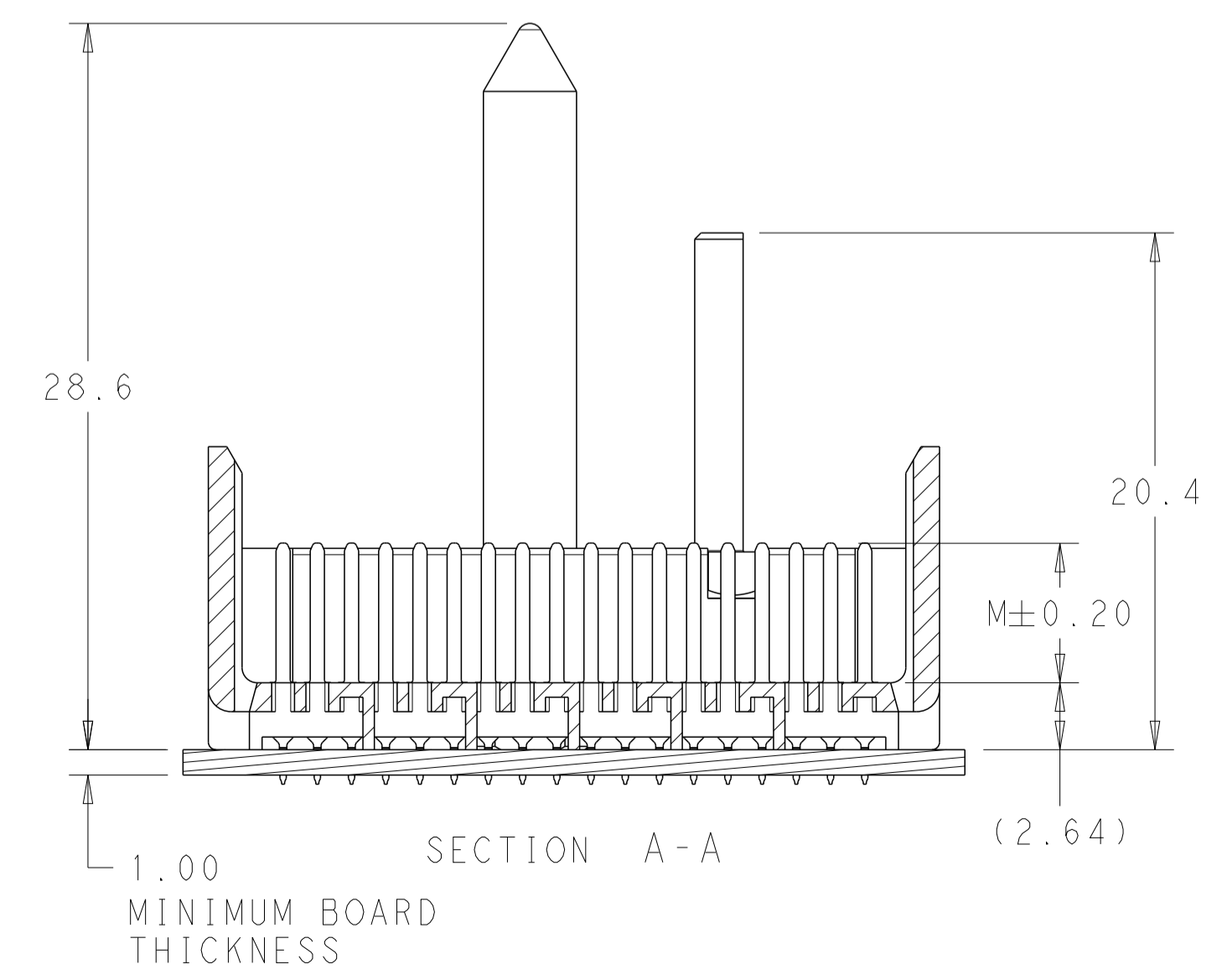
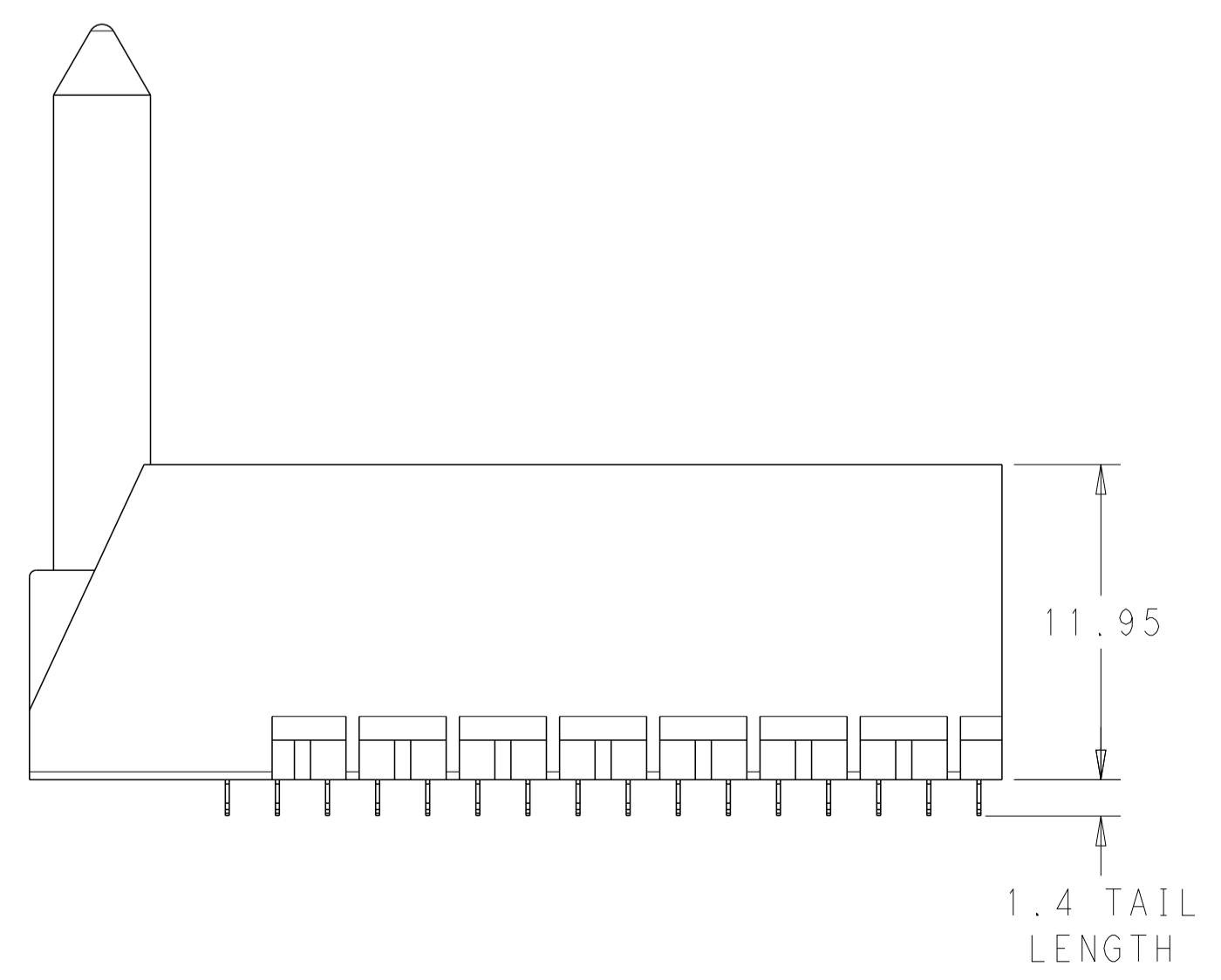
NOTCH DESIGNATES ROW A



- 1 MATERIAL:  
HOUSING: LCP, GLASS FILLED, UL94V-0.  
TERMINALS: HIGH PERFORMANCE COPPER ALLOY.
- 2 FINISH:  
30μ" MIN GOLD IN CONTACT AREA. SELECTIVE TIN ON PCB TAILS, NICKEL OVERALL.
- 3 FINISH:  
30μ" MIN GOLD IN CONTACT AREA. SELECTIVE TIN-LEAD ON PCB TAILS, NICKEL OVERALL.
- 4. SCREWS PACKAGED IN END OF PACKAGING TUBE.
- 5 FOR GROUNDED GUIDE PIN USE Ø3.56±0.08 PTH, Ø3.66 DRILL, AND Ø6.5 PAD.
- 6. KEYING PIN SHOWN IN POSITION A, SEE KEYING CHART ON SHEET 2 FOR OTHER POSITIONS.



LEFT GUIDED BACKPLANE HOLE PATTERN (CONNECTOR SIDE)



THIS DRAWING IS A CONTROLLED DOCUMENT.		DWN J. K. SHOBER 25JAN2011	TE Connectivity
DIMENSIONS: mm		CHK J. EARY 25JAN2011	
TOLERANCES UNLESS OTHERWISE SPECIFIED:		APVD J. EARY 25JAN2011	NAME
0 PLC ±	1 PLC ±0.25	PRODUCT SPEC	IMPACT, 6 PAIR, 16 COLUMN, HEADER
2 PLC ±0.13	3 PLC ±	APPLICATION SPEC	LEFT GUIDED, OPEN END WALL
4 PLC ±	ANGLES ±	WEIGHT	SIGNAL MODULE, 0.39 PTH
MATERIAL SEE TABLE		SIZE CAGE CODE DRAWING NO	RESTRICTED TO
FINISH		A100779C=2007889	
CUSTOMER DRAWING		SCALE 4:1	SHEET 1 OF 2 REV B1

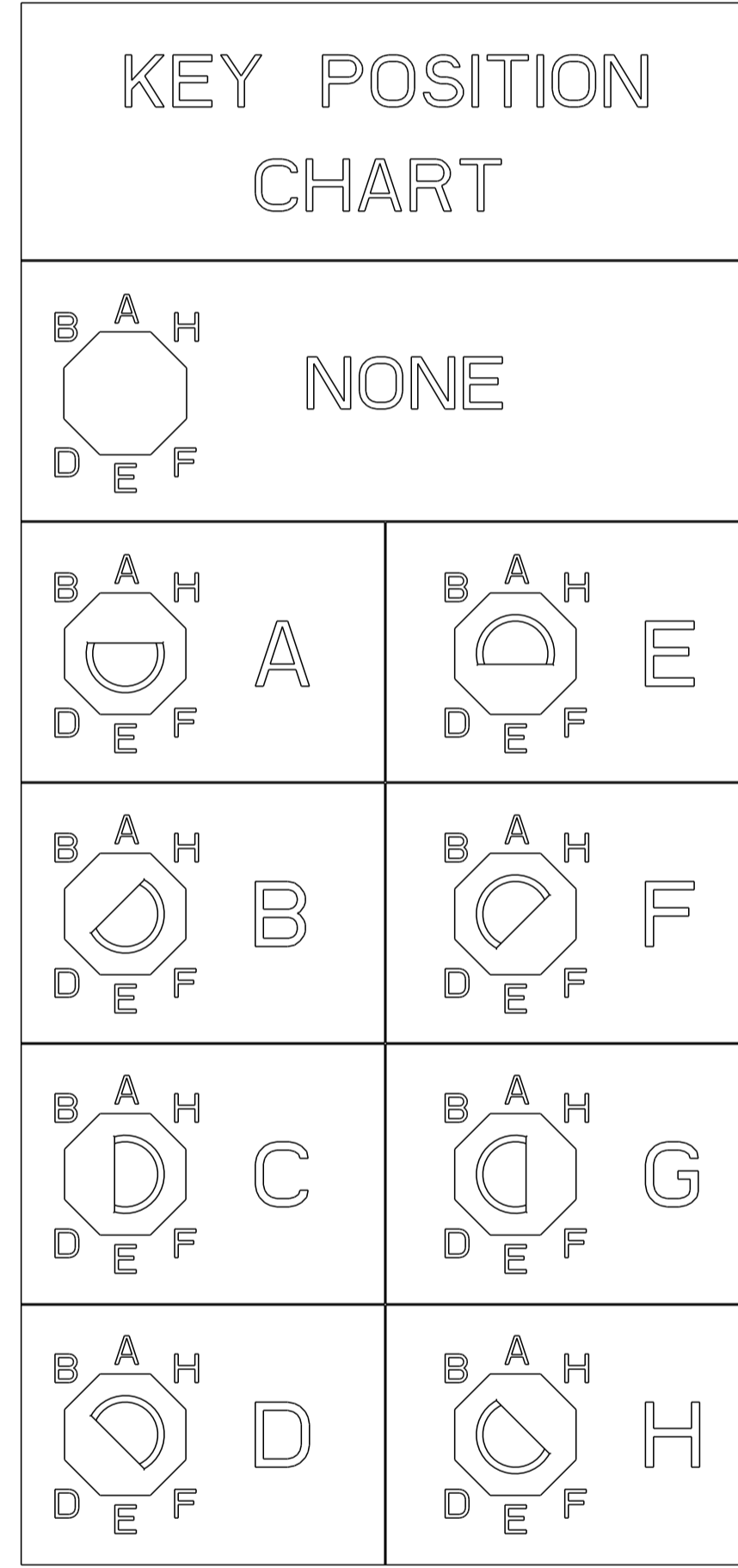
LOC	DIST	REVISIONS					
		P	LYR	DESCRIPTION	DATE	OWN	APVD
AD	00	-	-	SEE SHEET 1	-	-	-

3	H	5.5	8-2007889-6
3	H	4.9	8-2007889-5
3	H	4.5	8-2007889-4
2	H	5.5	8-2007889-3
2	H	4.9	8-2007889-2
2	H	4.5	8-2007889-1
3	G	5.5	7-2007889-6
3	G	4.9	7-2007889-5
3	G	4.5	7-2007889-4
2	G	5.5	7-2007889-3
2	G	4.9	7-2007889-2
2	G	4.5	7-2007889-1
3	F	5.5	6-2007889-6
3	F	4.9	6-2007889-5
3	F	4.5	6-2007889-4
2	F	5.5	6-2007889-3
2	F	4.9	6-2007889-2
2	F	4.5	6-2007889-1
3	E	5.5	5-2007889-6
3	E	4.9	5-2007889-5
3	E	4.5	5-2007889-4
2	E	5.5	5-2007889-3
2	E	4.9	5-2007889-2
2	E	4.5	5-2007889-1
3	D	5.5	4-2007889-6
3	D	4.9	4-2007889-5
3	D	4.5	4-2007889-4
2	D	5.5	4-2007889-3
2	D	4.9	4-2007889-2
2	D	4.5	4-2007889-1
3	C	5.5	3-2007889-6
3	C	4.9	3-2007889-5
3	C	4.5	3-2007889-4
2	C	5.5	3-2007889-3
2	C	4.9	3-2007889-2
2	C	4.5	3-2007889-1
3	B	5.5	2-2007889-6
3	B	4.9	2-2007889-5
3	B	4.5	2-2007889-4
2	B	5.5	2-2007889-3
2	B	4.9	2-2007889-2
2	B	4.5	2-2007889-1
3	A	5.5	1-2007889-6
3	A	4.9	1-2007889-5
3	A	4.5	1-2007889-4
2	A	5.5	1-2007889-3
2	A	4.9	1-2007889-2
2	A	4.5	1-2007889-1
3	-	5.5	2007889-6
3	-	4.9	2007889-5
3	-	4.5	2007889-4
2	-	5.5	2007889-3
2	-	4.9	2007889-2
2	-	4.5	2007889-1
FINISH	KEY POSITION	DIM M	PART NUMBER

OBSOLETE

OBSOLETE

REFER TO WWW.TE.COM FOR PRODUCT AVAILABILITY



THIS DRAWING IS A CONTROLLED DOCUMENT.		OWN J. K. SHOBER 25JAN2011	TE Connectivity
DIMENSIONS: mm		CHK J. EARY 25JAN2011	
TOLERANCES UNLESS OTHERWISE SPECIFIED:		APVD J. EARY 25JAN2011	NAME IMPACT, 6 PAIR, 16 COLUMN, HEADER LEFT GUIDED, OPEN END WALL SIGNAL MODULE, 0.39 PTH
0 PLC ±0.25		PRODUCT SPEC	
1 PLC ±0.13		APPLICATION SPEC	SIZE CAGE CODE DRAWING NO RESTRICTED TO
2 PLC ±		WEIGHT	A100779C=2007889
3 PLC ±		CUSTOMER DRAWING	SCALE 5:1 SHEET 2 OF 2 REV B1
4 PLC ±			
ANGLES ±			
FINISH SEE TABLE			