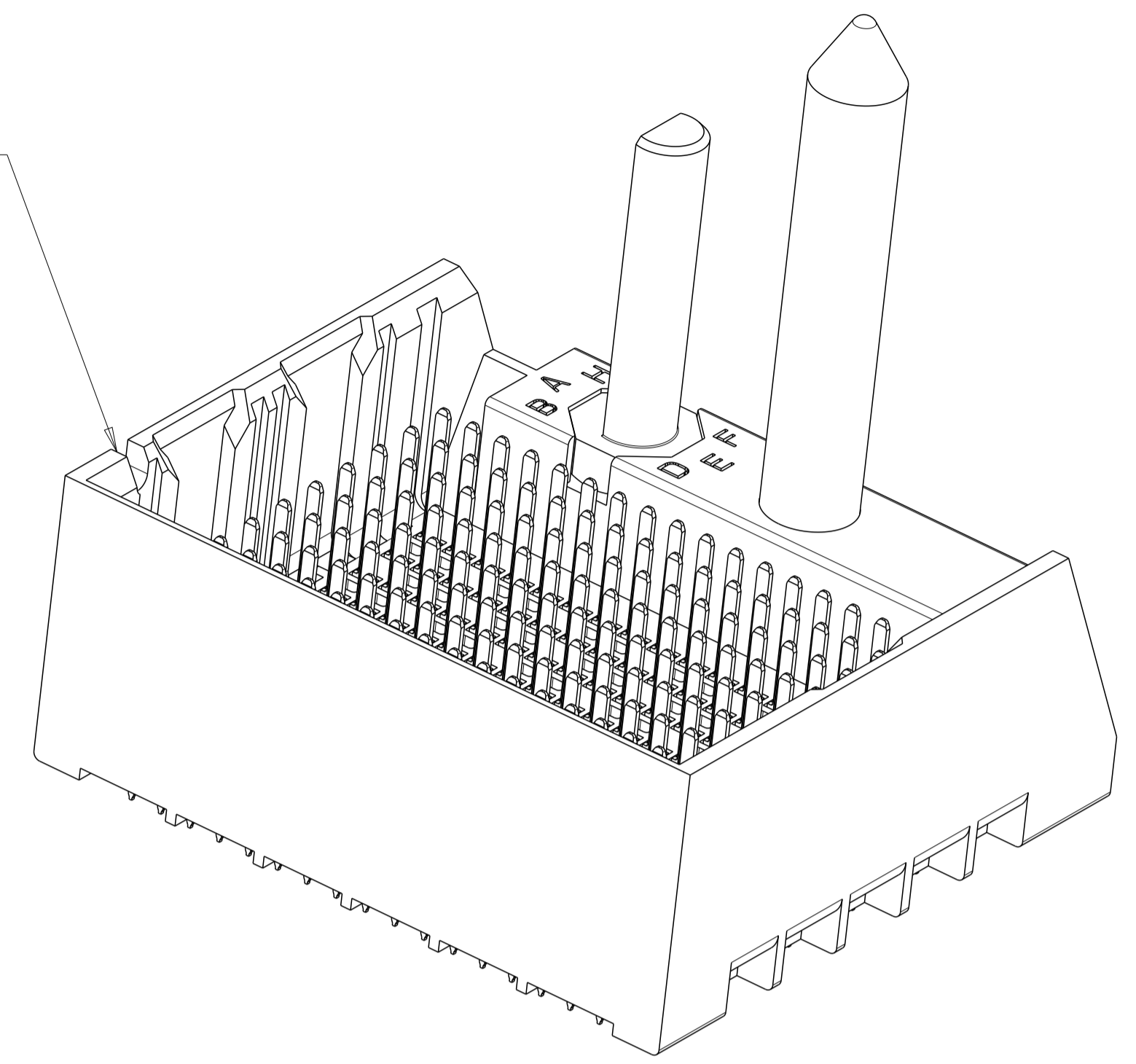
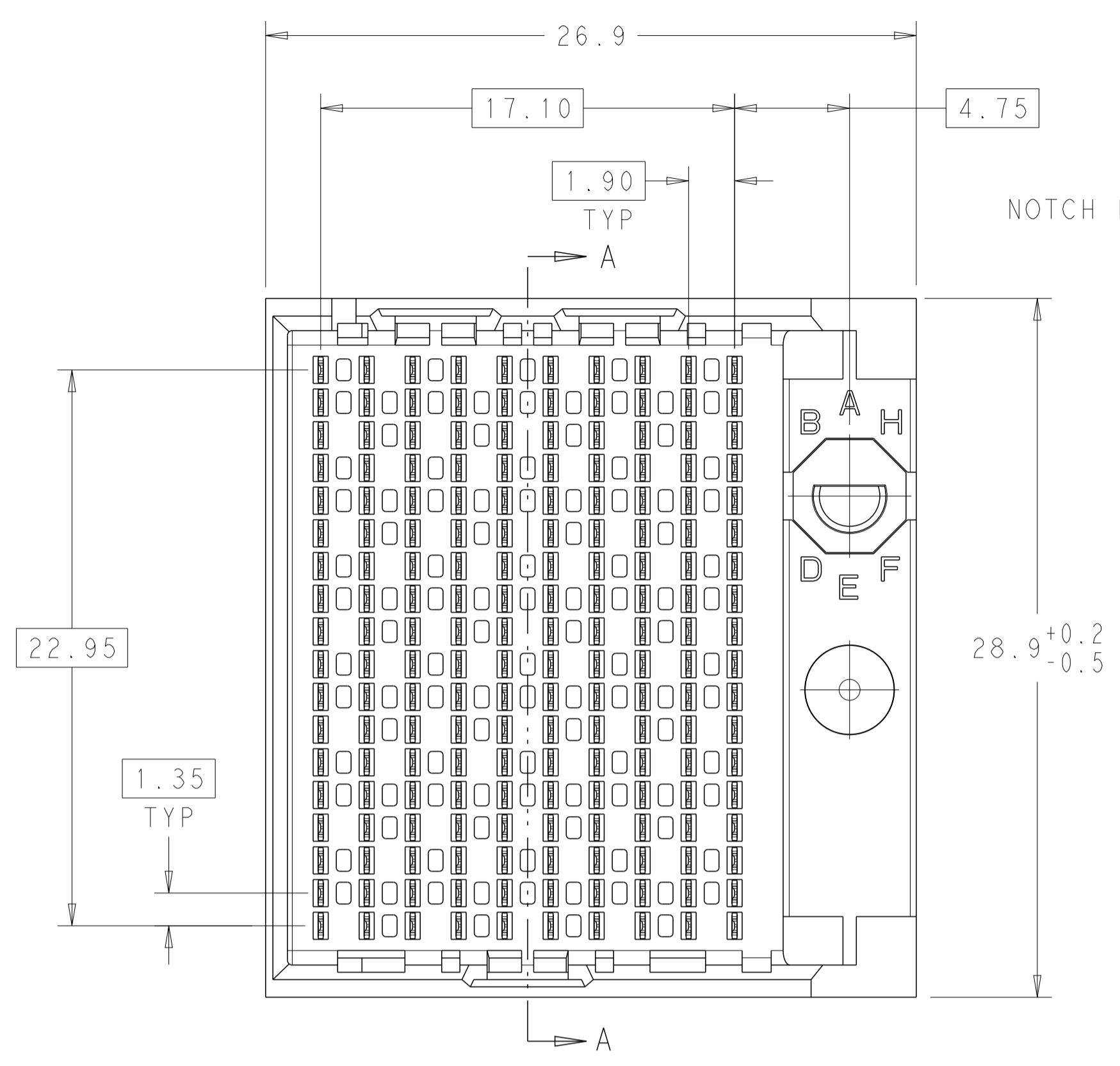
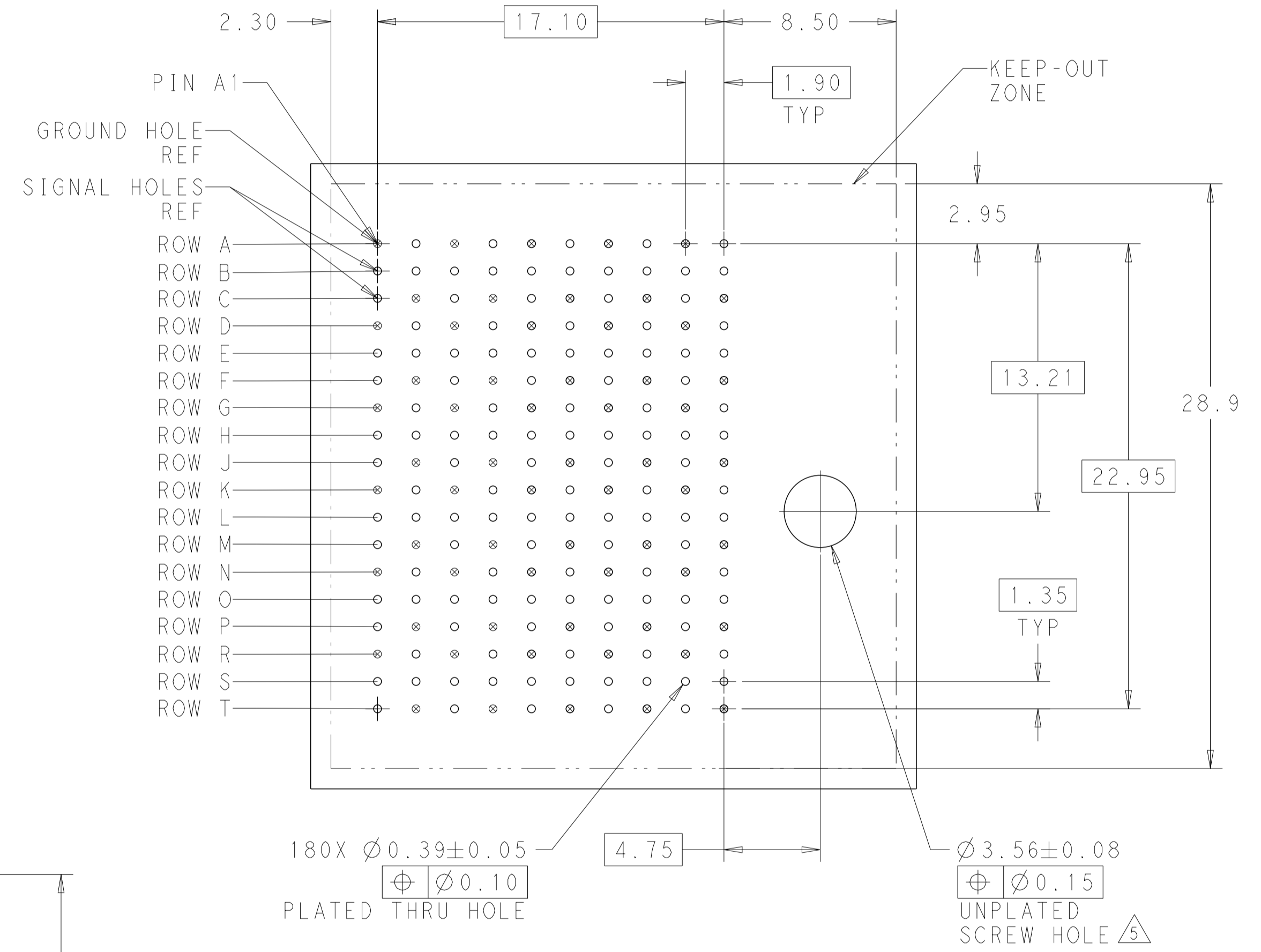


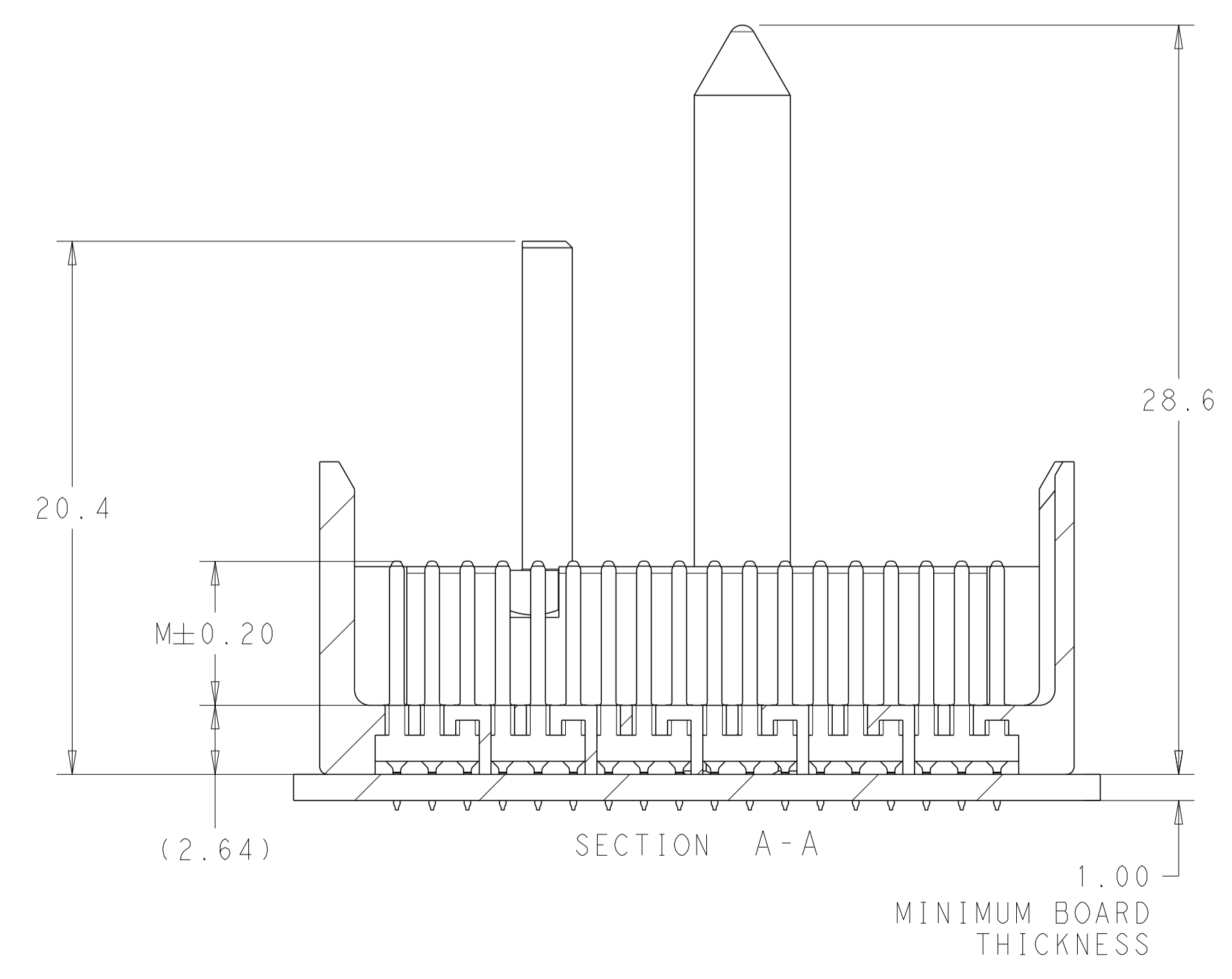
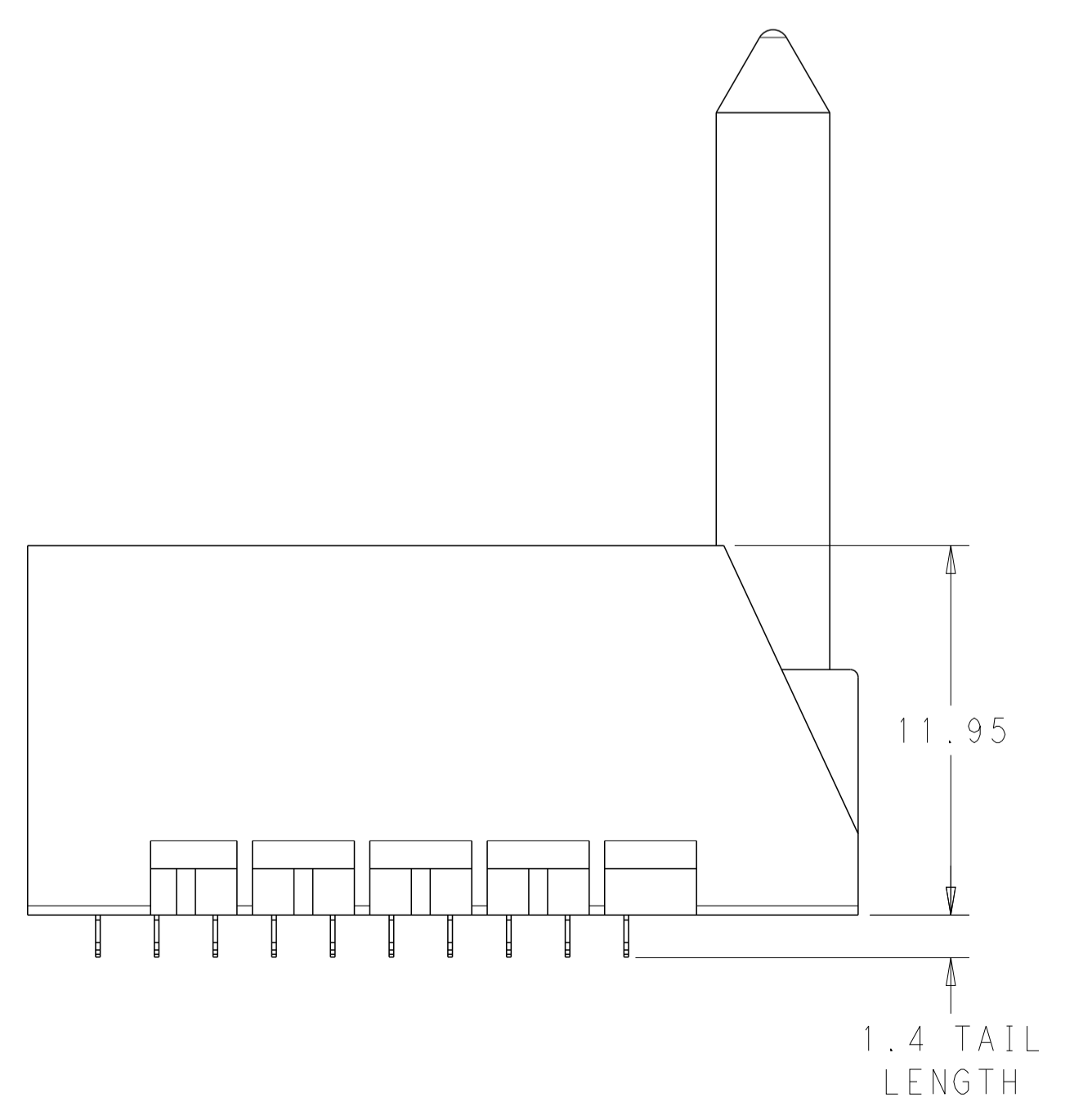
LOC	DIST	REVISIONS			
P	LTN	DESCRIPTION	DATE	DMN	APVD
B		REVISED PER ECO-11-025276	04JAN2012	KH	DY
B1		REVISED PER ECN-24-252171	21FEB2024	AP	RS



- 1. MATERIAL:
HOUSING: LCP, GLASS FILLED, UL94V-0.
TERMINALS: HIGH PERFORMANCE COPPER ALLOY.
- 2. FINISH:
30μ" MIN GOLD IN CONTACT AREA. SELECTIVE TIN ON PCB TAILS, NICKEL OVERALL.
- 3. FINISH:
30μ" MIN GOLD IN CONTACT AREA. SELECTIVE TIN-LEAD ON PCB TAILS, NICKEL OVERALL.
- 4. SCREWS PACKAGED IN END OF PACKAGING TUBE.
- 5. FOR GROUNDED GUIDE PIN USE Ø3.56±0.08 PTH, Ø3.66 DRILL, AND Ø6.5 PAD.
- 6. KEYING PIN SHOWN IN POSITION A, SEE KEYING CHART ON SHEET 2 FOR OTHER POSITIONS.



RIGHT GUIDED BACKPLANE HOLE PATTERN (CONNECTOR SIDE)



THIS DRAWING IS A CONTROLLED DOCUMENT.

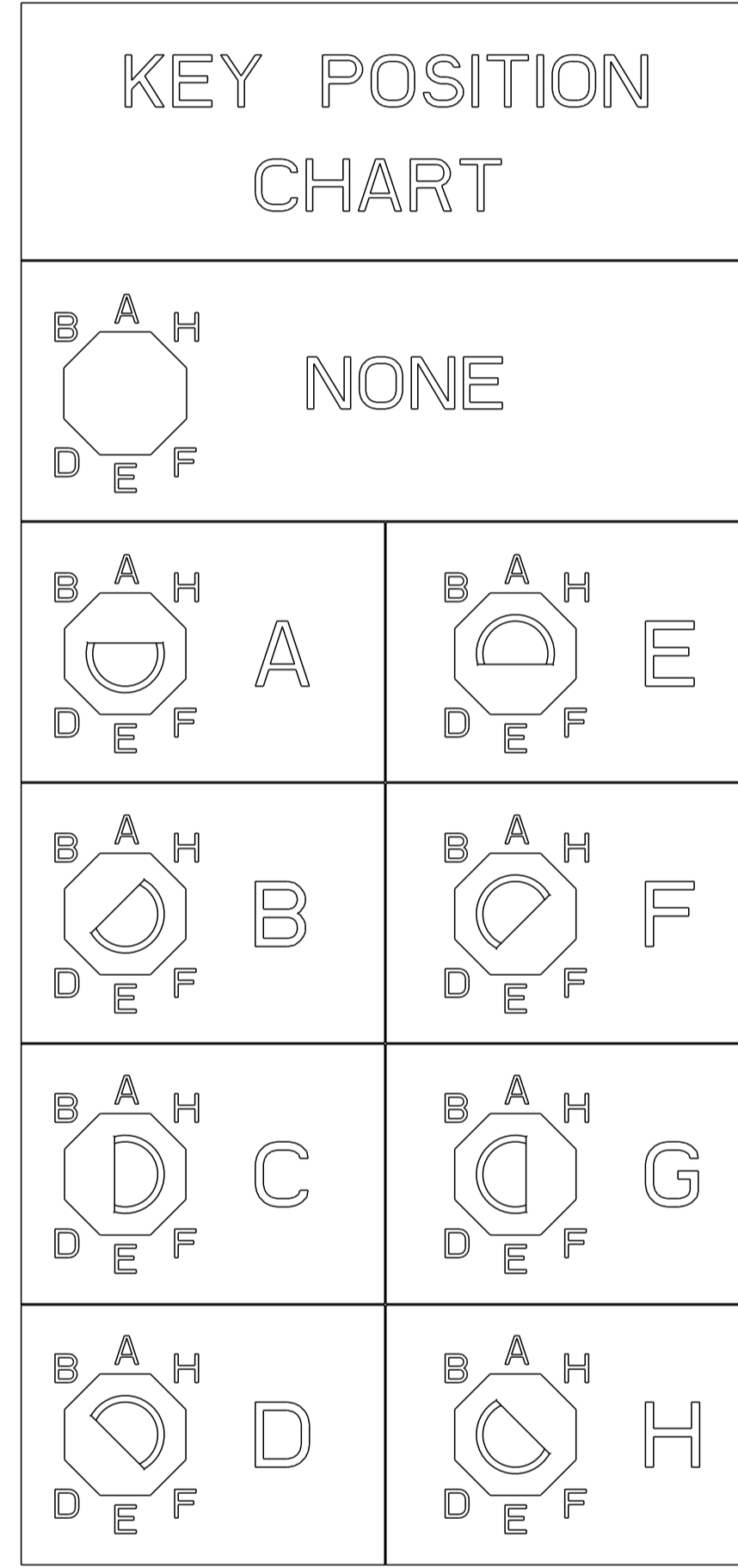
DIMENSIONS:	TOLERANCES UNLESS OTHERWISE SPECIFIED:	DMN J. K. SHOBER 25JAN2011	TE Connectivity
mm	0 PLC ±0.25	CHK J. EARY 25JAN2011	
	1 PLC ±0.13	APVD J. EARY 25JAN2011	
	2 PLC ±0.13	PRODUCT SPEC	
	3 PLC ±0.13	APPLICATION SPEC	NAME IMPACT, 6 PAIR, 10 COLUMN, HEADER RIGHT GUIDED, LEFT END WALL SIGNAL MODULE, 0.39 PTH
MATERIAL	FINISH SEE TABLE	WEIGHT	SIZE CAGE CODE DRAWING NO. RESTRICTED TO
			A100779C=2007879
		CUSTOMER DRAWING	SCALE 5:1 SHEET 1 OF 2 REV B1

LOC		DIST		REVISIONS			
AD	00	P	LYR	DESCRIPTION	DATE	OWN	APVD
		-		SEE SHEET 1			

3	H	5.5	8-2007879-6	OBSOLETE
3	H	4.9	8-2007879-5	
3	H	4.5	8-2007879-4	
2	H	5.5	8-2007879-3	
2	H	4.9	8-2007879-2	
2	H	4.5	8-2007879-1	
3	G	5.5	7-2007879-6	
3	G	4.9	7-2007879-5	
3	G	4.5	7-2007879-4	
2	G	5.5	7-2007879-3	
2	G	4.9	7-2007879-2	
2	G	4.5	7-2007879-1	
3	F	5.5	6-2007879-6	
3	F	4.9	6-2007879-5	
3	F	4.5	6-2007879-4	
2	F	5.5	6-2007879-3	
2	F	4.9	6-2007879-2	
2	F	4.5	6-2007879-1	
3	E	5.5	5-2007879-6	
3	E	4.9	5-2007879-5	
3	E	4.5	5-2007879-4	
2	E	5.5	5-2007879-3	
2	E	4.9	5-2007879-2	
2	E	4.5	5-2007879-1	
3	D	5.5	4-2007879-6	
3	D	4.9	4-2007879-5	
3	D	4.5	4-2007879-4	
2	D	5.5	4-2007879-3	
2	D	4.9	4-2007879-2	
2	D	4.5	4-2007879-1	
3	C	5.5	3-2007879-6	
3	C	4.9	3-2007879-5	
3	C	4.5	3-2007879-4	
2	C	5.5	3-2007879-3	
2	C	4.9	3-2007879-2	
2	C	4.5	3-2007879-1	
3	B	5.5	2-2007879-6	
3	B	4.9	2-2007879-5	
3	B	4.5	2-2007879-4	
2	B	5.5	2-2007879-3	
2	B	4.9	2-2007879-2	
2	B	4.5	2-2007879-1	
3	A	5.5	1-2007879-6	
3	A	4.9	1-2007879-5	
3	A	4.5	1-2007879-4	
2	A	5.5	1-2007879-3	
2	A	4.9	1-2007879-2	
2	A	4.5	1-2007879-1	
3	-	5.5	2007879-6	
3	-	4.9	2007879-5	
3	-	4.5	2007879-4	
2	-	5.5	2007879-3	
2	-	4.9	2007879-2	
2	-	4.5	2007879-1	
FINISH	KEY POSITION	DIM M	PART NUMBER	

OBSOLETE

OBSOLETE



REFER TO WWW.TE.COM
FOR PRODUCT AVAILABILITY

THIS DRAWING IS A CONTROLLED DOCUMENT.		OWN J. K. SHOBER 25JAN2011	TE Connectivity
DIMENSIONS: mm		CHK J. EARY 25JAN2011	
TOLERANCES UNLESS OTHERWISE SPECIFIED:		APVD J. EARY 25JAN2011	NAME IMPACT, 6 PAIR, 10 COLUMN, HEADER RIGHT GUIDED, LEFT END WALL SIGNAL MODULE, 0.39 PTH
0 PLC ± .13		PRODUCT SPEC	
1 PLC ±0.25		APPLICATION SPEC	SIZE CAGE CODE DRAWING NO RESTRICTED TO
2 PLC ± .13		WEIGHT	A100779C=2007879
3 PLC ± .13		CUSTOMER DRAWING	SCALE 5:1 SHEET 2 OF 2 REV B1
4 PLC ± .13			
ANGLES FINISH SEE TABLE			