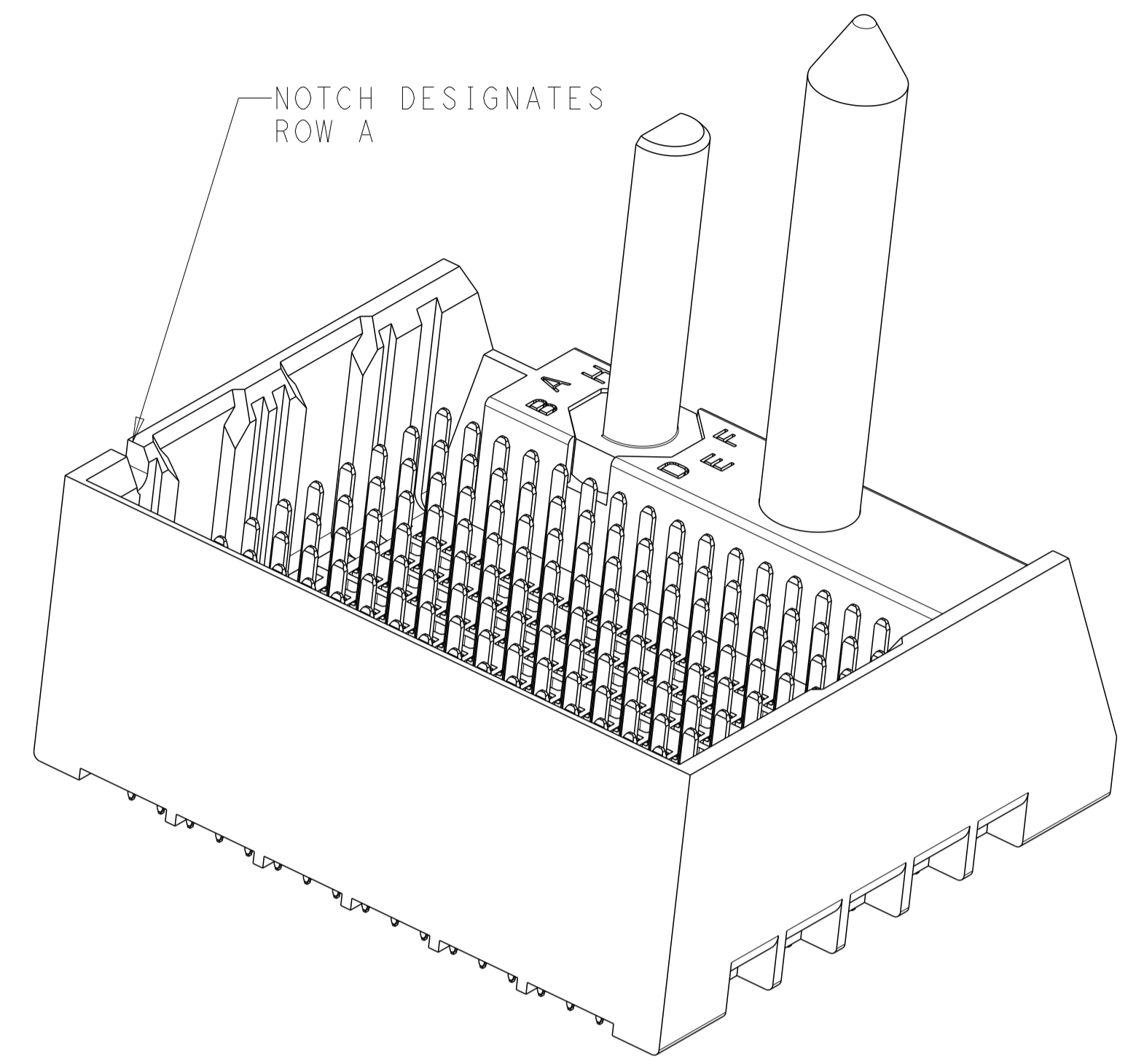
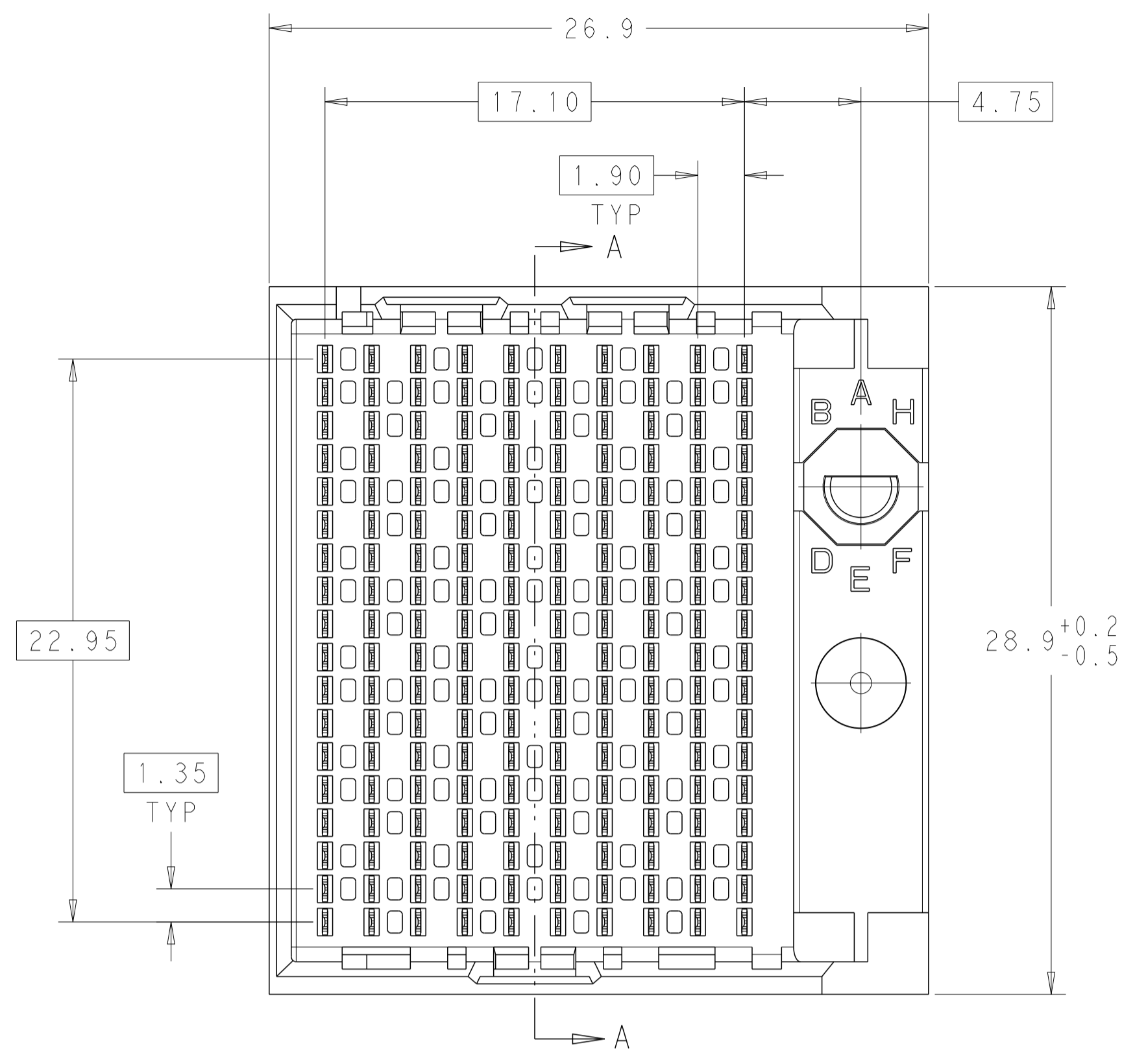
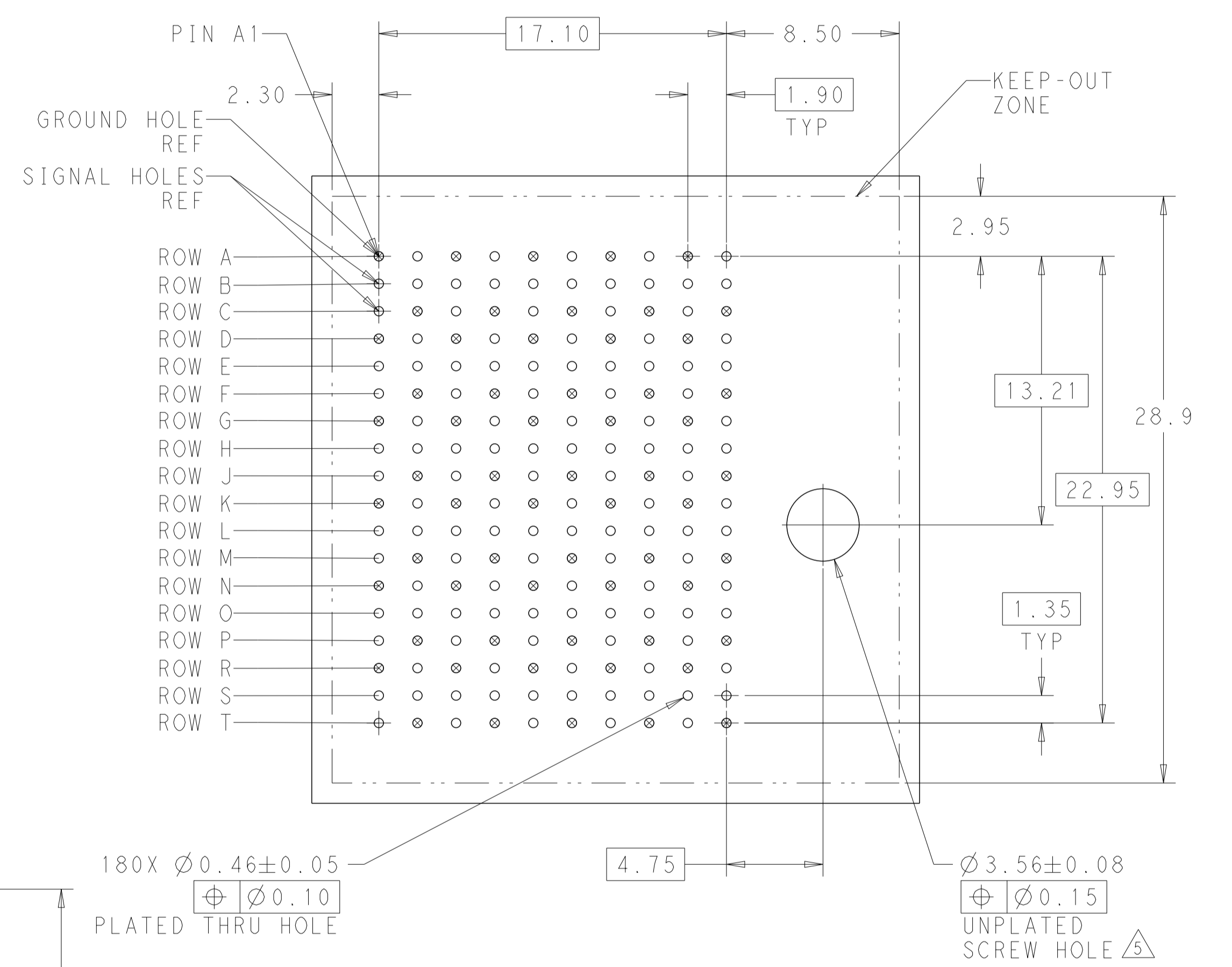


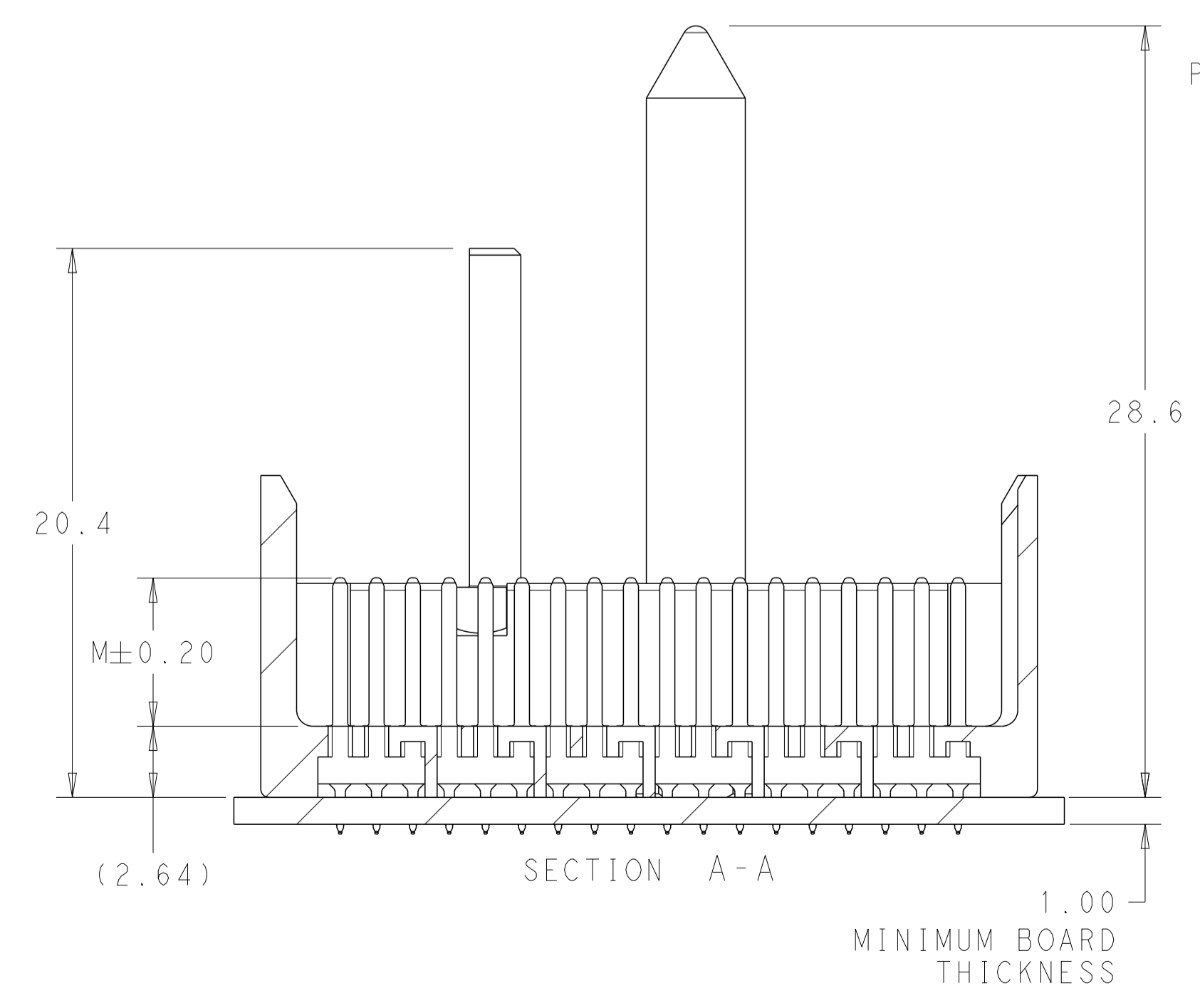
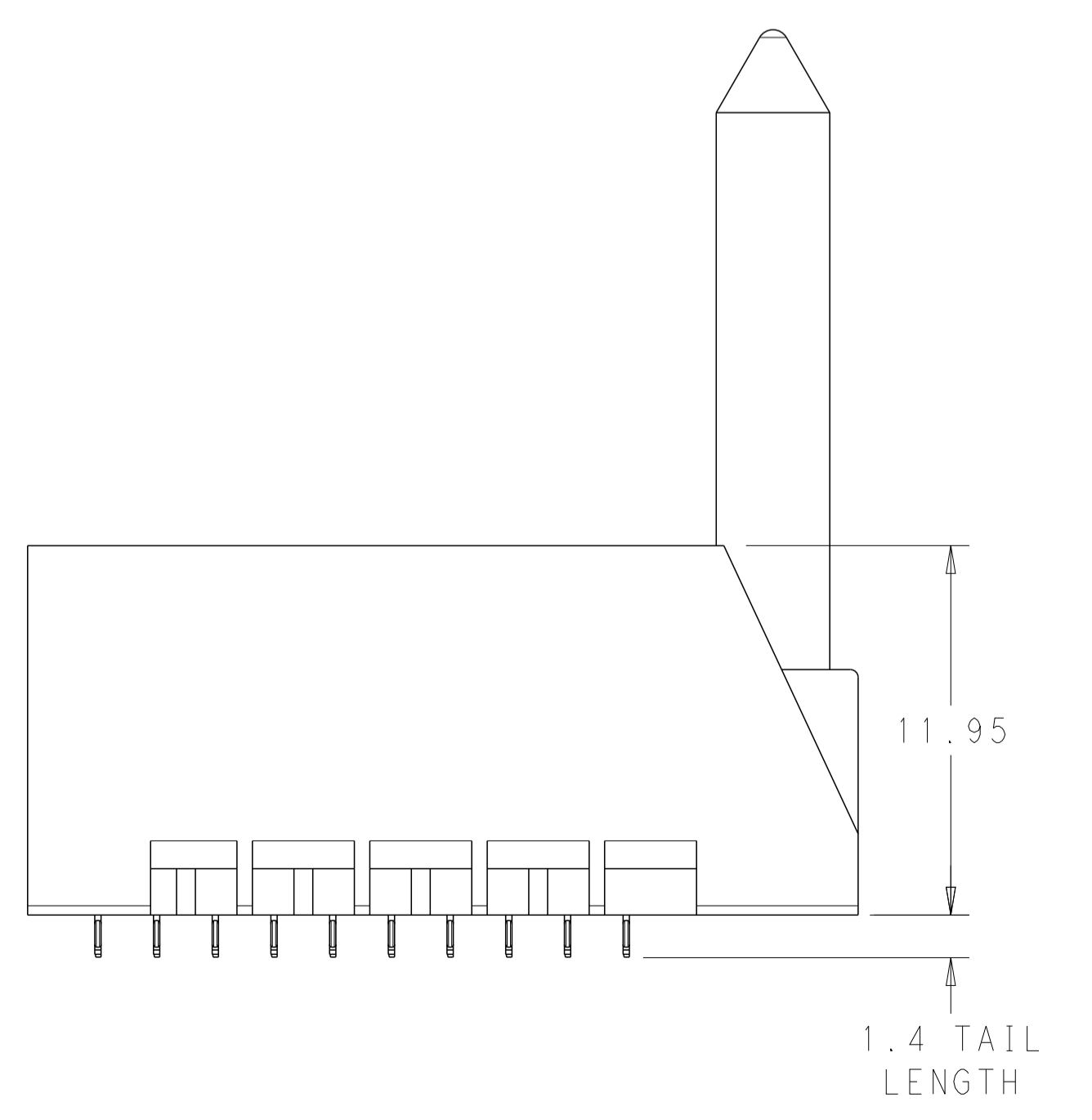
| LOC | DIST | REVISIONS | | | |
|-----|------|-------------------------------|-----------|-----|------|
| P | LTN | DESCRIPTION | DATE | DWN | APVD |
| A | | CREATED BY AUTOMATION PROGRAM | 02MAY2011 | RKC | JE |
| A1 | | REVISED PER ECN-24-252171 | 08MAR2024 | AP | RS |



- 1. MATERIAL:
HOUSING: LCP, GLASS FILLED, UL94V-0.
TERMINALS: HIGH PERFORMANCE COPPER ALLOY.
- 2. FINISH:
30μ" MIN GOLD IN CONTACT AREA. SELECTIVE TIN ON PCB TAILS, NICKEL OVERALL.
- 3. FINISH:
30μ" MIN GOLD IN CONTACT AREA. SELECTIVE TIN-LEAD ON PCB TAILS, NICKEL OVERALL.
- 4. SCREWS PACKAGED IN END OF PACKAGING TUBE.
- 5. FOR GROUNDED GUIDE PIN USE Ø3.56±0.08 PTH, Ø3.66 DRILL, AND Ø6.5 PAD.
- 6. KEYING PIN SHOWN IN POSITION A, SEE KEYING CHART ON SHEET 2 FOR OTHER POSITIONS.



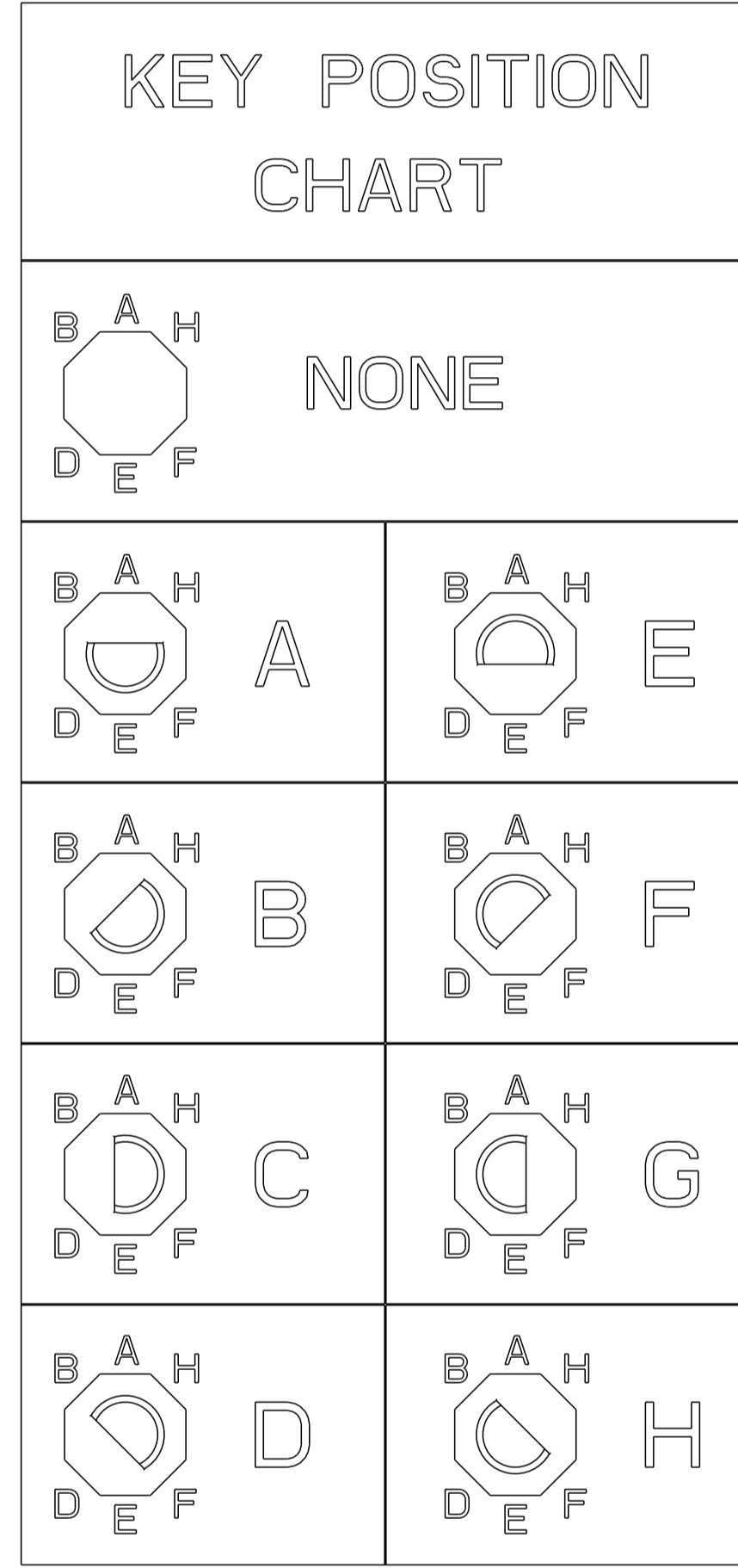
RIGHT GUIDED BACKPLANE HOLE PATTERN (CONNECTOR SIDE)



| | | | | | |
|--|--|--|--------------|---|--|
| THIS DRAWING IS A CONTROLLED DOCUMENT. | | DWN: R. COELLO 02MAY2011 | | TE Connectivity | |
| DIMENSIONS: mm | | CHK: J. EARY 02MAY2011 | | NAME: IMPACT, 6 PAIR, 10 COLUMN, HEADER RIGHT GUIDED, LEFT END WALL SIGNAL MODULE, 0.46 PTH | |
| TOLERANCES UNLESS OTHERWISE SPECIFIED: | | APVD: J. EARY 02MAY2011 | PRODUCT SPEC | | |
| 0 PLC ±0.25 | | APPLICATION SPEC | | | |
| 1 PLC ±0.13 | | SIZE: CAGE CODE DRAWING NO: A100779C=2007878 | | | |
| 2 PLC ±0.10 | | RESTRICTED TO | | | |
| 3 PLC ±0.08 | | WEIGHT | | | |
| 4 PLC ±0.05 | | CUSTOMER DRAWING | | | |
| ANGLES ±0.5 | | SCALE: 5:1 SHEET 1 OF 2 REV: A1 | | | |
| FINISH: SEE TABLE | | | | | |

| LOC | | DIST | | REVISIONS | | | |
|-----|-----|-------------|------|-----------|------|--|--|
| P | LYR | DESCRIPTION | DATE | DNW | APVD | | |
| - | - | SEE SHEET 1 | - | - | - | | |
| | | | | | | | |
| | | | | | | | |

| | | | | |
|--------|--------------|-------|-------------|----------|
| 3 | H | 5.5 | 8-2007878-6 | |
| 3 | H | 4.9 | 8-2007878-5 | |
| 3 | H | 4.5 | 8-2007878-4 | |
| 2 | H | 5.5 | 8-2007878-3 | |
| 2 | H | 4.9 | 8-2007878-2 | |
| 2 | H | 4.5 | 8-2007878-1 | |
| 3 | G | 5.5 | 7-2007878-6 | |
| 3 | G | 4.9 | 7-2007878-5 | |
| 3 | G | 4.5 | 7-2007878-4 | |
| 2 | G | 5.5 | 7-2007878-3 | |
| 2 | G | 4.9 | 7-2007878-2 | |
| 2 | G | 4.5 | 7-2007878-1 | |
| 3 | F | 5.5 | 6-2007878-6 | |
| 3 | F | 4.9 | 6-2007878-5 | |
| 3 | F | 4.5 | 6-2007878-4 | |
| 2 | F | 5.5 | 6-2007878-3 | |
| 2 | F | 4.9 | 6-2007878-2 | |
| 2 | F | 4.5 | 6-2007878-1 | |
| 3 | E | 5.5 | 5-2007878-6 | |
| 3 | E | 4.9 | 5-2007878-5 | |
| 3 | E | 4.5 | 5-2007878-4 | |
| 2 | E | 5.5 | 5-2007878-3 | |
| 2 | E | 4.9 | 5-2007878-2 | |
| 2 | E | 4.5 | 5-2007878-1 | |
| 3 | D | 5.5 | 4-2007878-6 | |
| 3 | D | 4.9 | 4-2007878-5 | OBSOLETE |
| 3 | D | 4.5 | 4-2007878-4 | |
| 2 | D | 5.5 | 4-2007878-3 | |
| 2 | D | 4.9 | 4-2007878-2 | |
| 2 | D | 4.5 | 4-2007878-1 | |
| 3 | C | 5.5 | 3-2007878-6 | |
| 3 | C | 4.9 | 3-2007878-5 | |
| 3 | C | 4.5 | 3-2007878-4 | |
| 2 | C | 5.5 | 3-2007878-3 | |
| 2 | C | 4.9 | 3-2007878-2 | |
| 2 | C | 4.5 | 3-2007878-1 | |
| 3 | B | 5.5 | 2-2007878-6 | |
| 3 | B | 4.9 | 2-2007878-5 | |
| 3 | B | 4.5 | 2-2007878-4 | |
| 2 | B | 5.5 | 2-2007878-3 | |
| 2 | B | 4.9 | 2-2007878-2 | |
| 2 | B | 4.5 | 2-2007878-1 | |
| 3 | A | 5.5 | 1-2007878-6 | |
| 3 | A | 4.9 | 1-2007878-5 | |
| 3 | A | 4.5 | 1-2007878-4 | |
| 2 | A | 5.5 | 1-2007878-3 | |
| 2 | A | 4.9 | 1-2007878-2 | |
| 2 | A | 4.5 | 1-2007878-1 | |
| 3 | - | 5.5 | 2007878-6 | |
| 3 | - | 4.9 | 2007878-5 | |
| 3 | - | 4.5 | 2007878-4 | |
| 2 | - | 5.5 | 2007878-3 | |
| 2 | - | 4.9 | 2007878-2 | OBSOLETE |
| 2 | - | 4.5 | 2007878-1 | |
| FINISH | KEY POSITION | DIM M | PART NUMBER | |



REFER TO WWW.TE.COM
FOR PRODUCT AVAILABILITY

| | | | |
|---|--------|----------------------------|---|
| THIS DRAWING IS A CONTROLLED DOCUMENT. | | DNW R. COELLO 02MAY2011 | TE Connectivity |
| DIMENSIONS: mm | | CHK J. EARY 02MAY2011 | |
| TOLERANCES UNLESS OTHERWISE SPECIFIED: | | APVD J. EARY 02MAY2011 | NAME IMPACT, 6 PAIR, 10 COLUMN, HEADER RIGHT GUIDED, LEFT END WALL SIGNAL MODULE, 0.46 PTH |
| 0 PLC ± 1 PLC ±0.25 2 PLC ±0.13 3 PLC ± 4 PLC ± | | PRODUCT SPEC | |
| ANGLES FINISH SEE TABLE | | APPLICATION SPEC | RESTRICTED TO |
| MATERIAL | WEIGHT | SIZE A100779C=2007878 | SCALE 5:1 SHEET 2 OF 2 REV A1 |
| CUSTOMER DRAWING | | | |