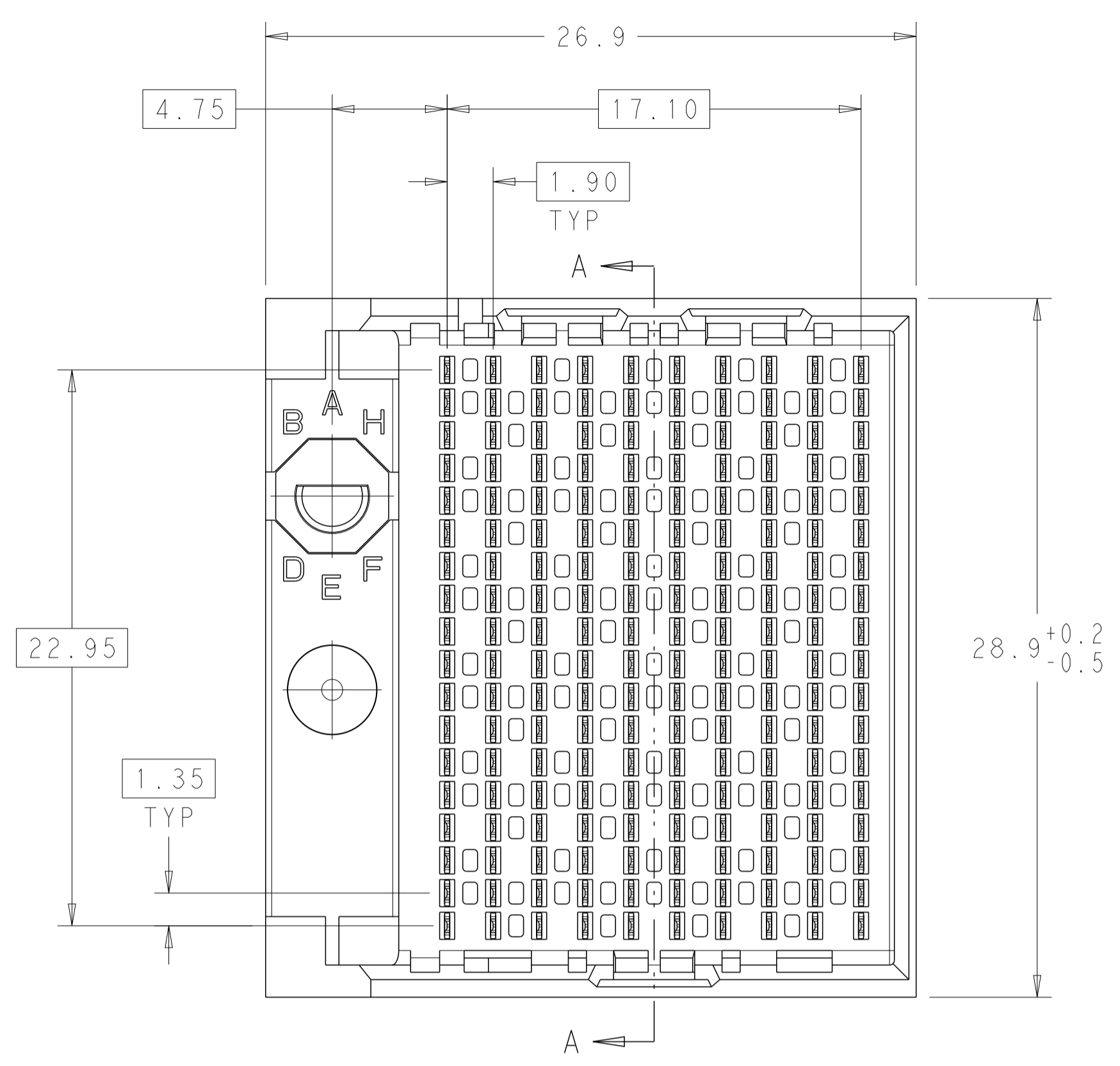
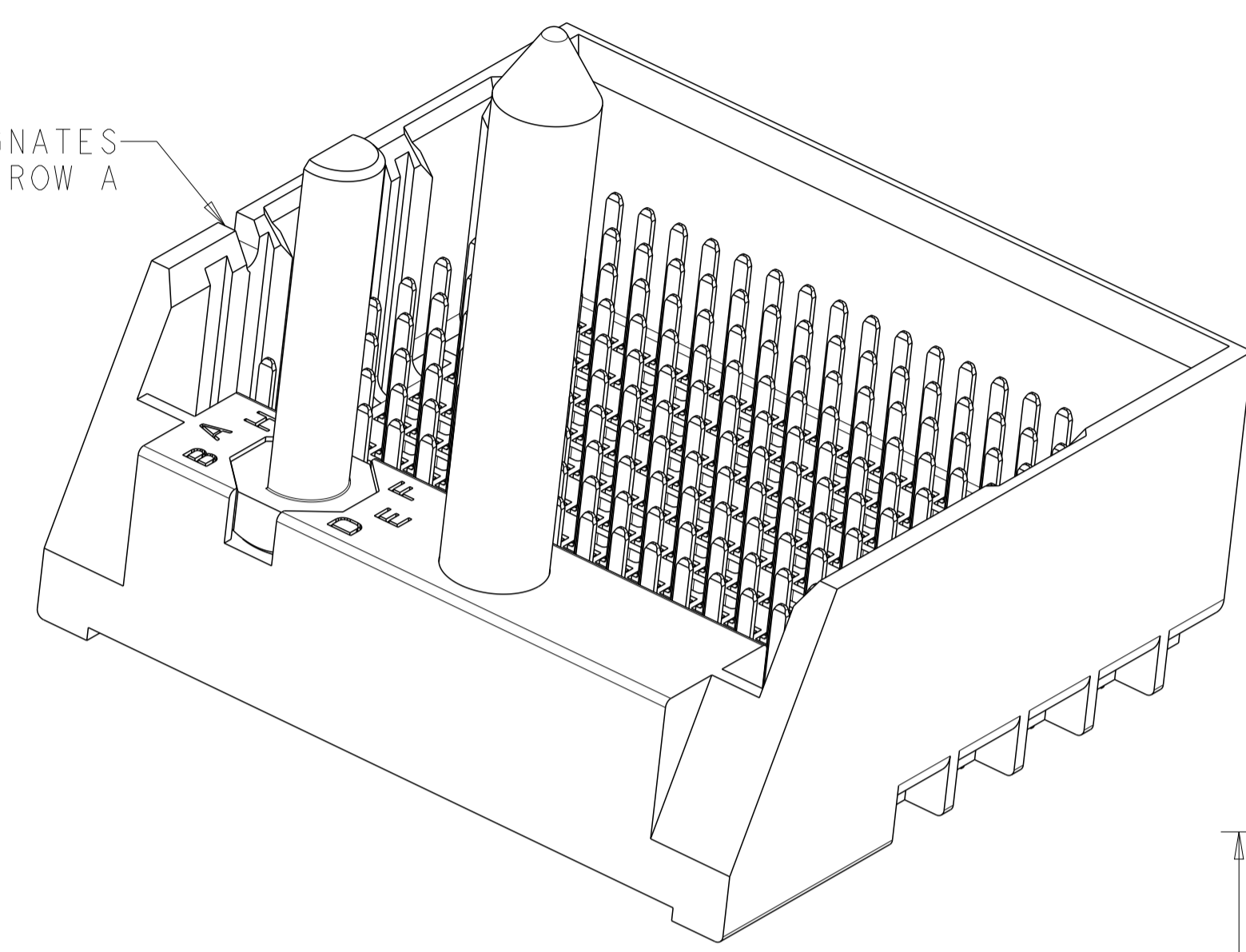


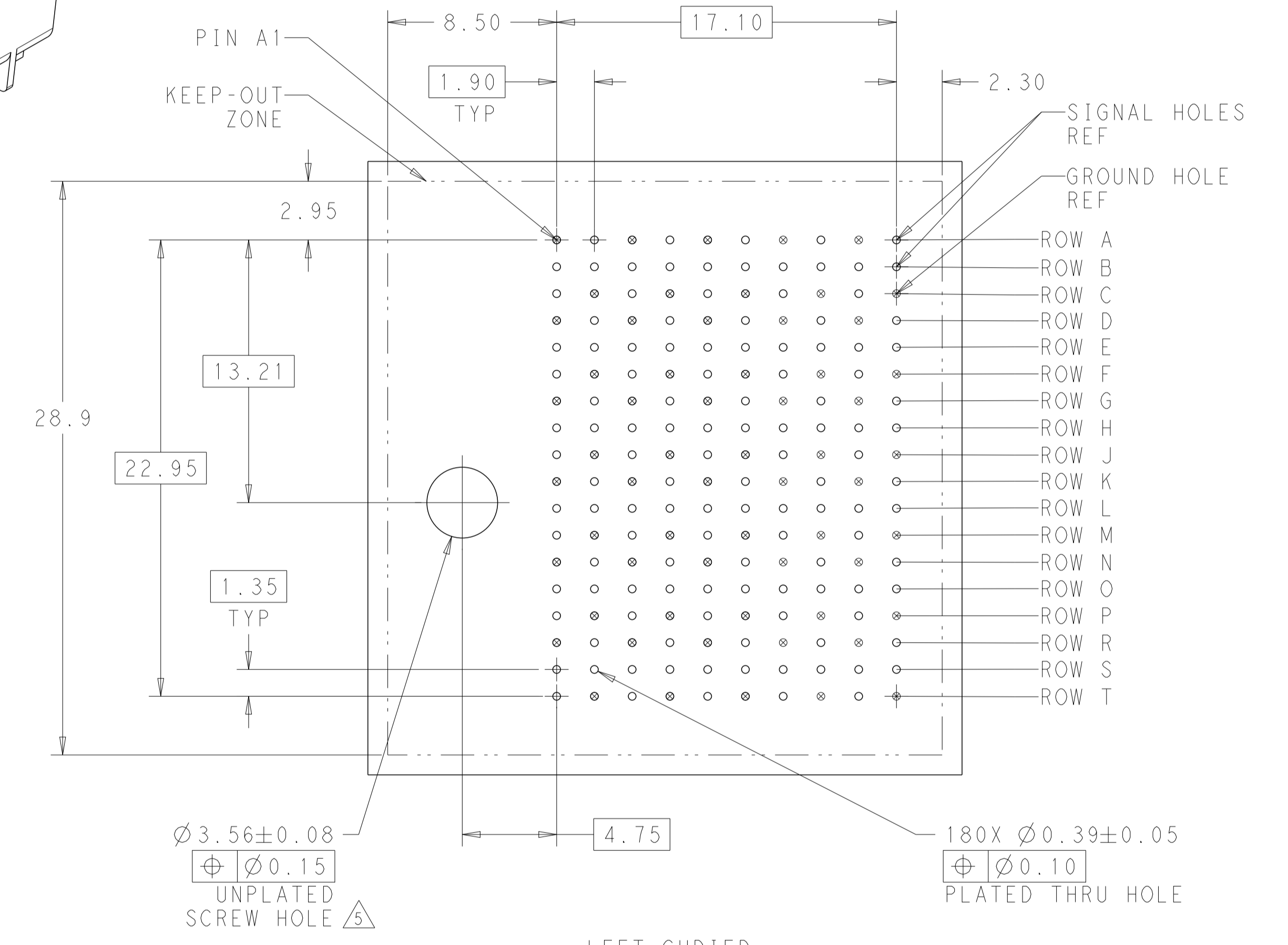
LOC	DIST	REVISIONS			
P	LTN	DESCRIPTION	DATE	DWN	APVD
B		REVISED PER ECO-11-025276	03JAN2012	KH	DY
B1		REVISED PER ECN-24-252171	20FEB2024	AP	RS



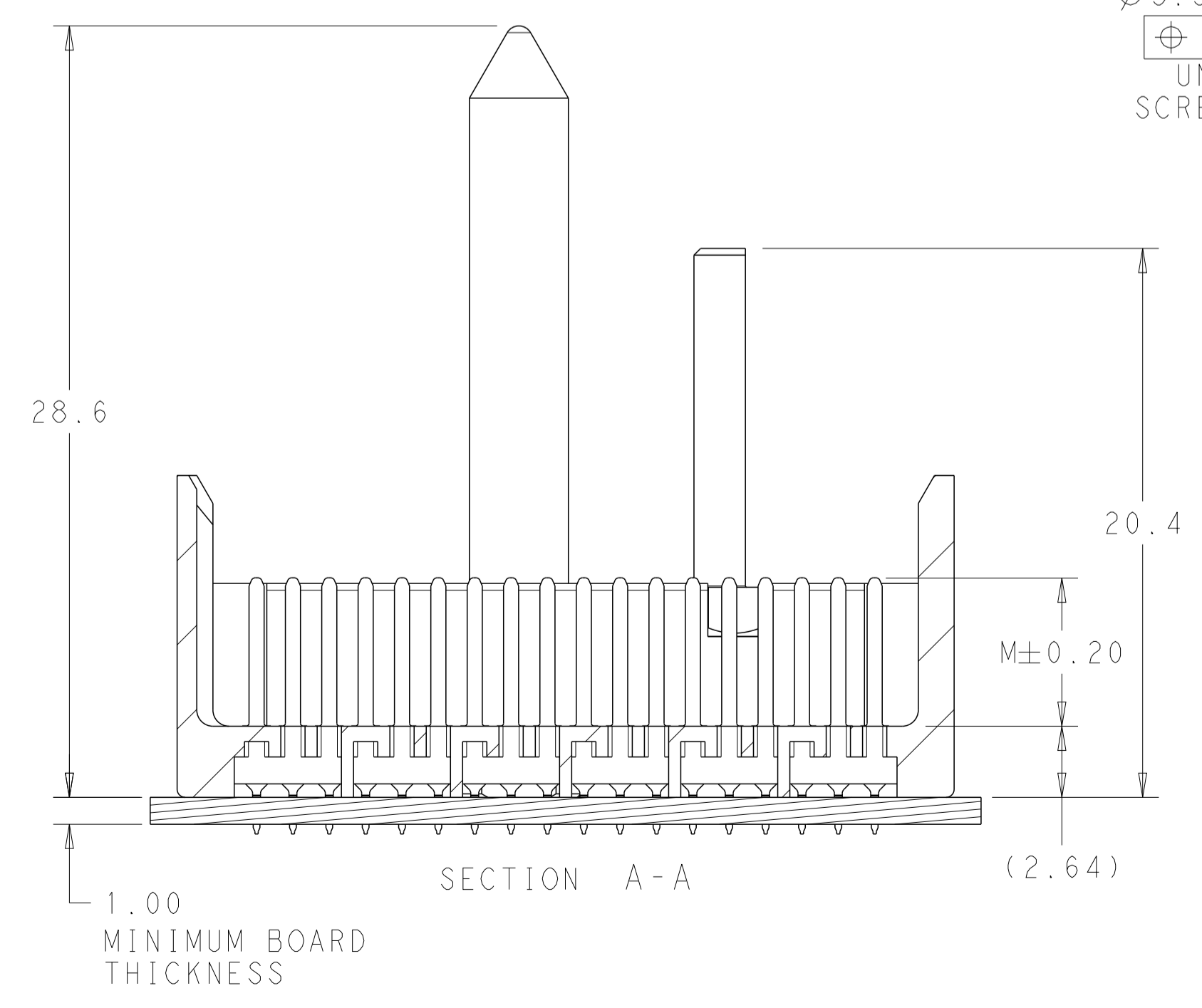
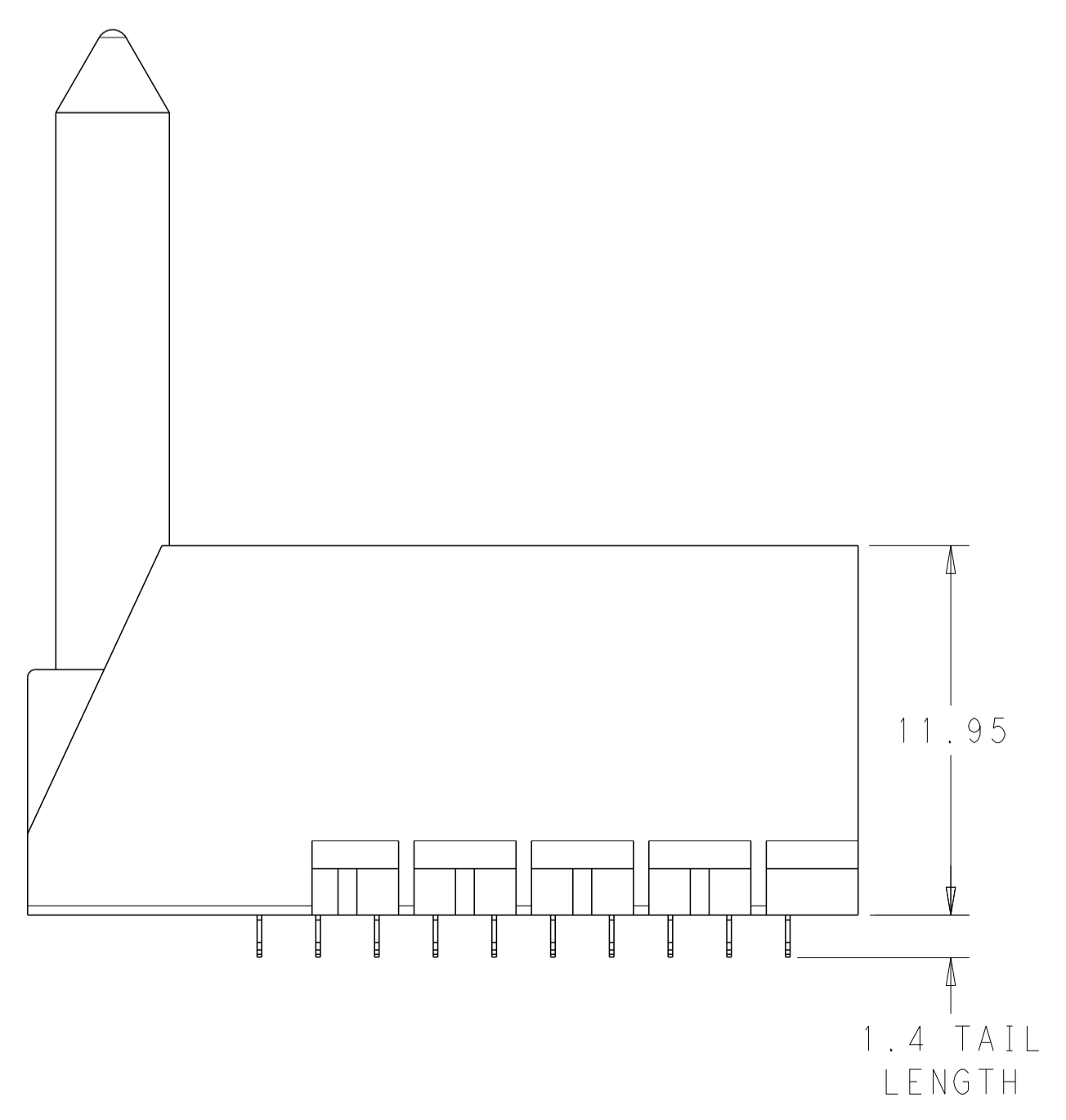
NOTCH DESIGNATES ROW A



- 1 MATERIAL:
HOUSING: LCP, GLASS FILLED, UL94V-0.
TERMINALS: HIGH PERFORMANCE COPPER ALLOY.
- 2 FINISH:
30μ" MIN GOLD IN CONTACT AREA. SELECTIVE TIN ON PCB TAILS, NICKEL OVERALL.
- 3 FINISH:
30μ" MIN GOLD IN CONTACT AREA. SELECTIVE TIN-LEAD ON PCB TAILS, NICKEL OVERALL.
- 4. SCREWS PACKAGED IN END OF PACKAGING TUBE.
- 5 FOR GROUNDED GUIDE PIN USE Ø3.56±0.08 PTH, Ø3.66 DRILL, AND Ø6.5 PAD.
- 6. KEYING PIN SHOWN IN POSITION A, SEE KEYING CHART ON SHEET 2 FOR OTHER POSITIONS.



LEFT GUIDED BACKPLANE HOLE PATTERN (CONNECTOR SIDE)



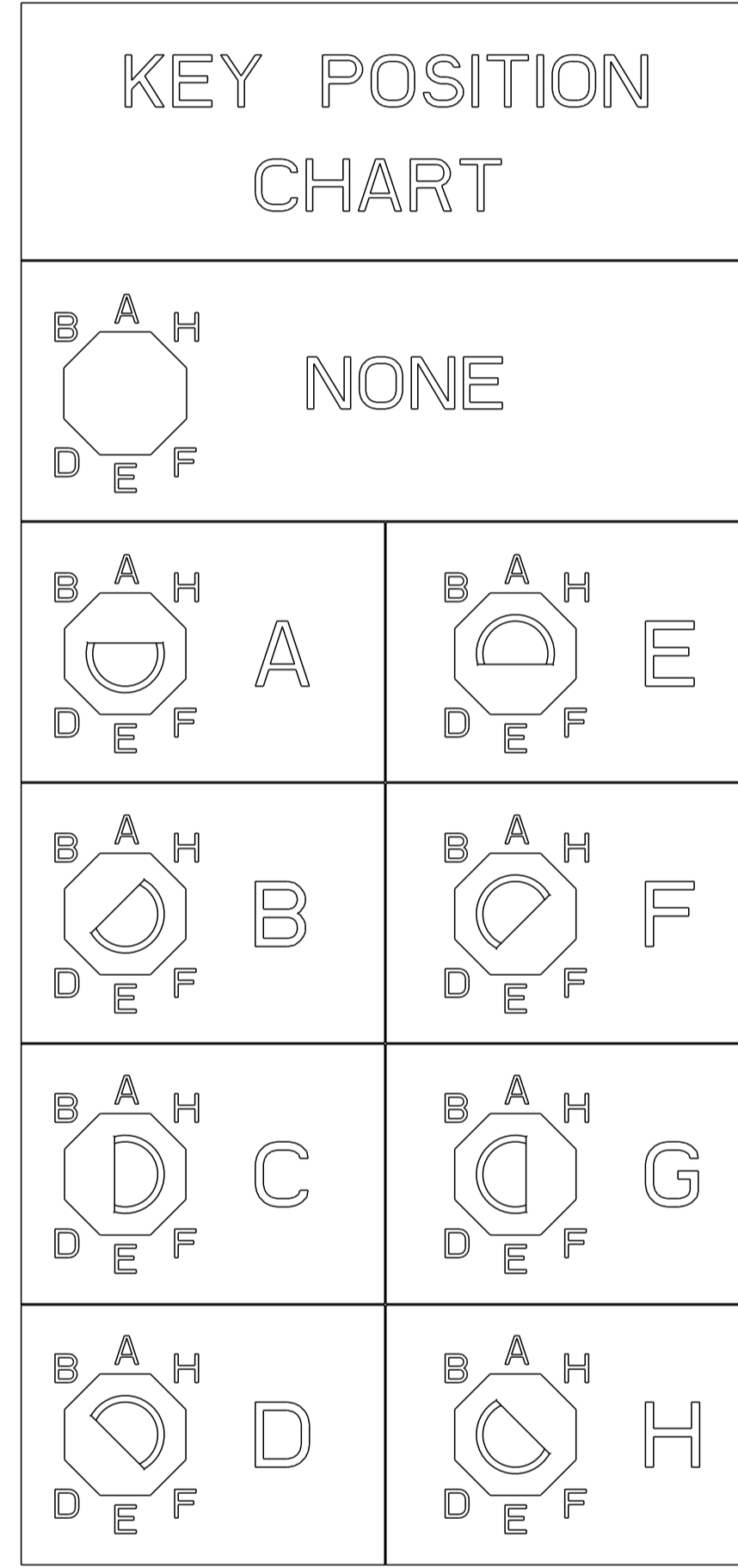
THIS DRAWING IS A CONTROLLED DOCUMENT.		DWN J. K. SHOBER 25JAN2011	TE Connectivity
DIMENSIONS: mm		CHK J. EARY 25JAN2011	
TOLERANCES UNLESS OTHERWISE SPECIFIED:		APVD J. EARY 25JAN2011	NAME IMPACT, 6 PAIR, 10 COLUMN, HEADER LEFT GUIDED, RIGHT END WALL SIGNAL MODULE, 0.39 PTH
0 PLC ±0.25		PRODUCT SPEC	
1 PLC ±0.13		APPLICATION SPEC	SIZE CAGE CODE DRAWING NO RESTRICTED TO A100779C=2007875
2 PLC ±0.10		WEIGHT	
3 PLC ±0.08		CUSTOMER DRAWING	SCALE 5:1 SHEET 1 OF 2 REV B1
4 PLC ±0.05			
ANGLES ±0.5			
FINISH SEE TABLE			

LOC	DIST	P	LYR	DESCRIPTION	DATE	DNW	APVD
AD	00	-	-	SEE SHEET 1	-	-	-

3	H	5.5	8-2007875-6	OBSOLETE
3	H	4.9	8-2007875-5	
3	H	4.5	8-2007875-4	
2	H	5.5	8-2007875-3	
2	H	4.9	8-2007875-2	
2	H	4.5	8-2007875-1	
3	G	5.5	7-2007875-6	
3	G	4.9	7-2007875-5	
3	G	4.5	7-2007875-4	
2	G	5.5	7-2007875-3	
2	G	4.9	7-2007875-2	
2	G	4.5	7-2007875-1	
3	F	5.5	6-2007875-6	
3	F	4.9	6-2007875-5	
3	F	4.5	6-2007875-4	
2	F	5.5	6-2007875-3	
2	F	4.9	6-2007875-2	
2	F	4.5	6-2007875-1	
3	E	5.5	5-2007875-6	
3	E	4.9	5-2007875-5	
3	E	4.5	5-2007875-4	
2	E	5.5	5-2007875-3	
2	E	4.9	5-2007875-2	
2	E	4.5	5-2007875-1	
3	D	5.5	4-2007875-6	
3	D	4.9	4-2007875-5	
3	D	4.5	4-2007875-4	
2	D	5.5	4-2007875-3	
2	D	4.9	4-2007875-2	
2	D	4.5	4-2007875-1	
3	C	5.5	3-2007875-6	
3	C	4.9	3-2007875-5	
3	C	4.5	3-2007875-4	
2	C	5.5	3-2007875-3	
2	C	4.9	3-2007875-2	
2	C	4.5	3-2007875-1	
3	B	5.5	2-2007875-6	
3	B	4.9	2-2007875-5	
3	B	4.5	2-2007875-4	
2	B	5.5	2-2007875-3	
2	B	4.9	2-2007875-2	
2	B	4.5	2-2007875-1	
3	A	5.5	1-2007875-6	
3	A	4.9	1-2007875-5	
3	A	4.5	1-2007875-4	
2	A	5.5	1-2007875-3	
2	A	4.9	1-2007875-2	
2	A	4.5	1-2007875-1	
3	-	5.5	2007875-6	
3	-	4.9	2007875-5	
3	-	4.5	2007875-4	
2	-	5.5	2007875-3	
2	-	4.9	2007875-2	
2	-	4.5	2007875-1	
FINISH	KEY POSITION	DIM M	PART NUMBER	

OBSOLETE

OBSOLETE



REFER TO WWW.TE.COM
FOR PRODUCT AVAILABILITY

THIS DRAWING IS A CONTROLLED DOCUMENT.		DNW J. K. SHOBER	25JAN2011	TE Connectivity
DIMENSIONS:		CHK J. EARY	25JAN2011	
mm	TOLERANCES UNLESS OTHERWISE SPECIFIED:	APVD J. EARY	25JAN2011	NAME IMPACT, 6 PAIR, 10 COLUMN, HEADER LEFT GUIDED, RIGHT END WALL SIGNAL MODULE, 0.39 PTH
	0 PLC ±	PRODUCT SPEC		SIZE CAGE CODE DRAWING NO RESTRICTED TO
	0.13 PLC ±0.25	APPLICATION SPEC		A100779C=2007875
	0.25 PLC ±			SCALE 5:1 SHEET 2 OF 2 REV B1
	0.50 PLC ±	WEIGHT		CUSTOMER DRAWING
	1.00 PLC ±			
	ANGLES ±			
	FINISH SEE TABLE			