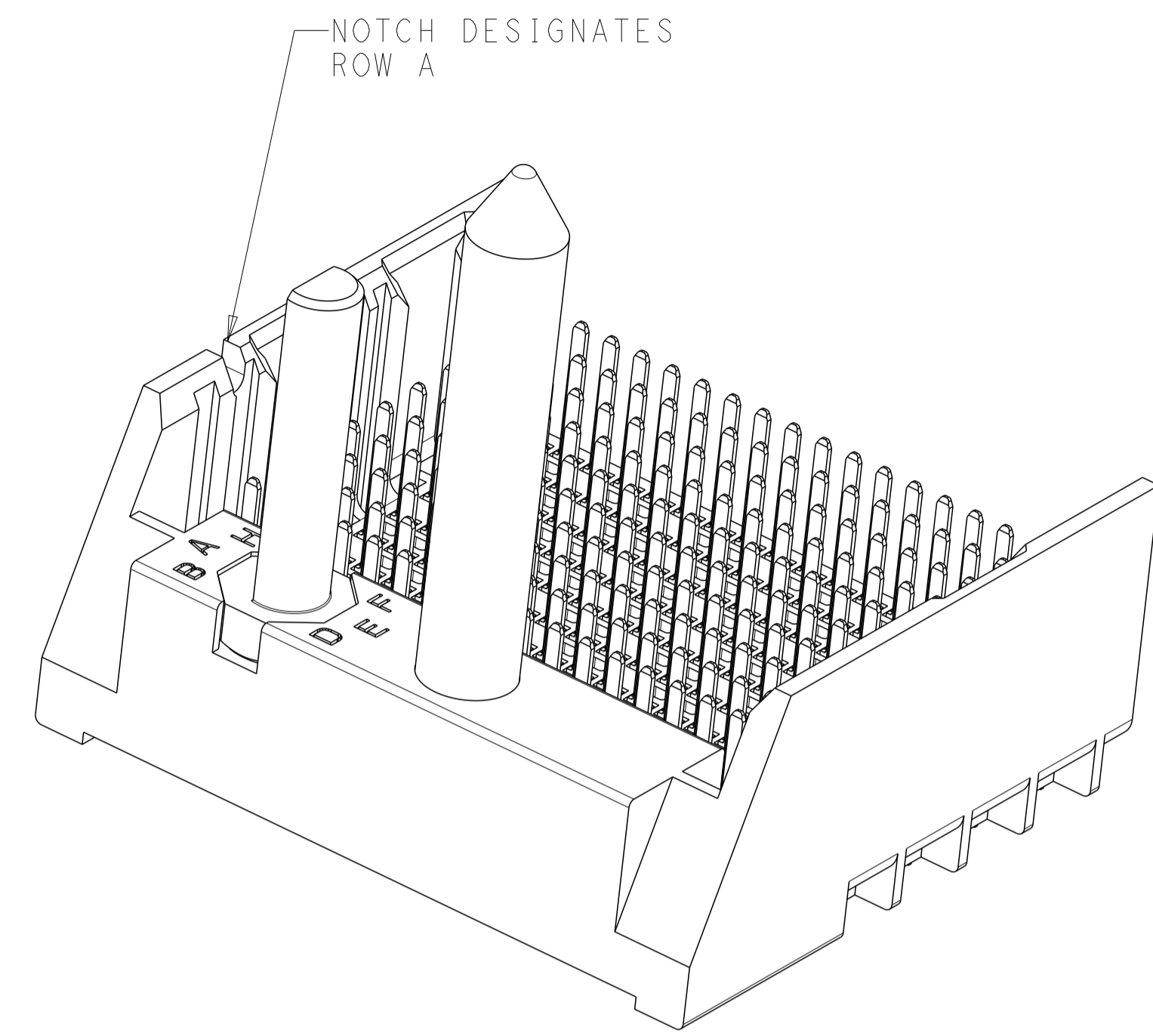
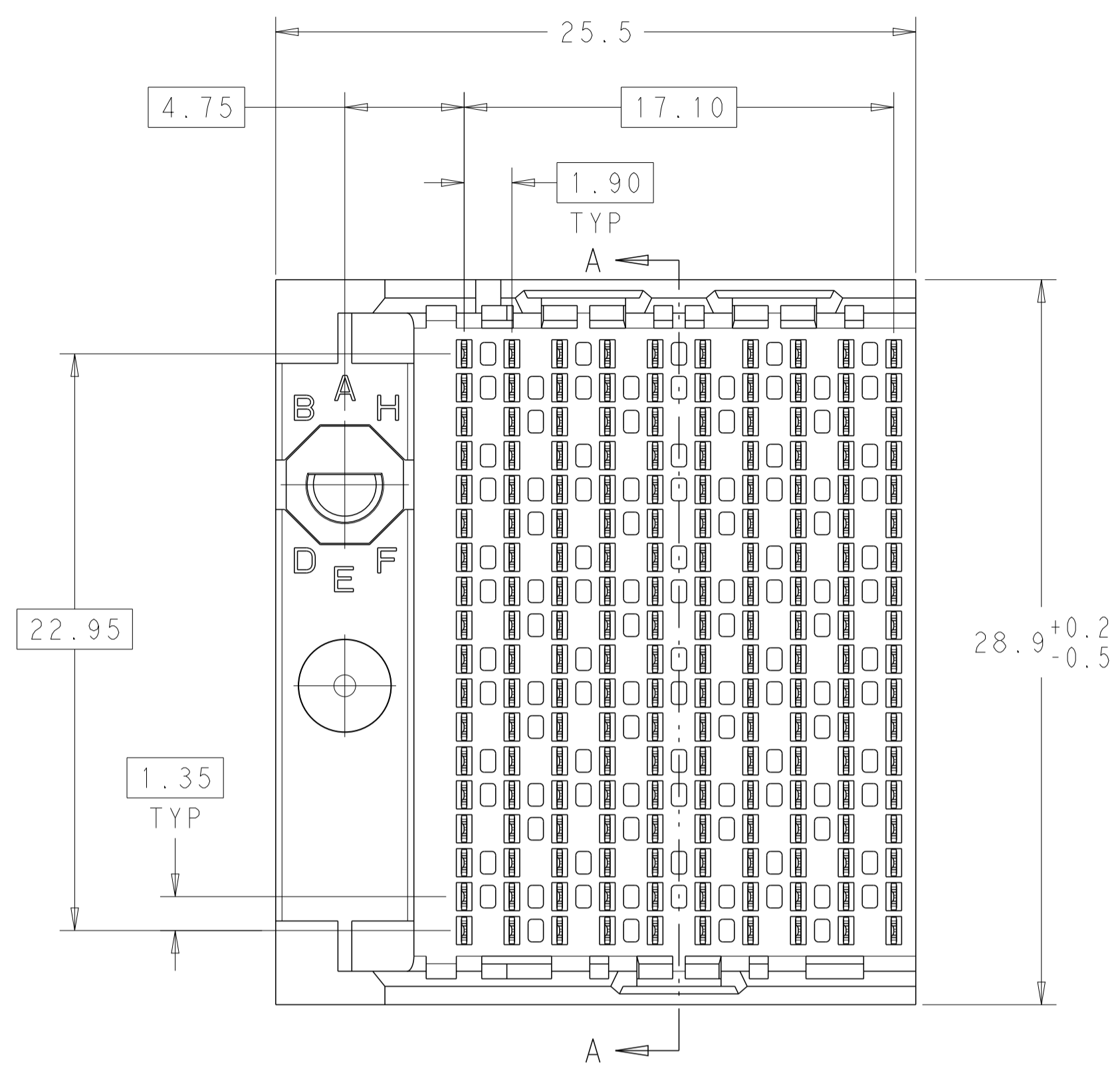
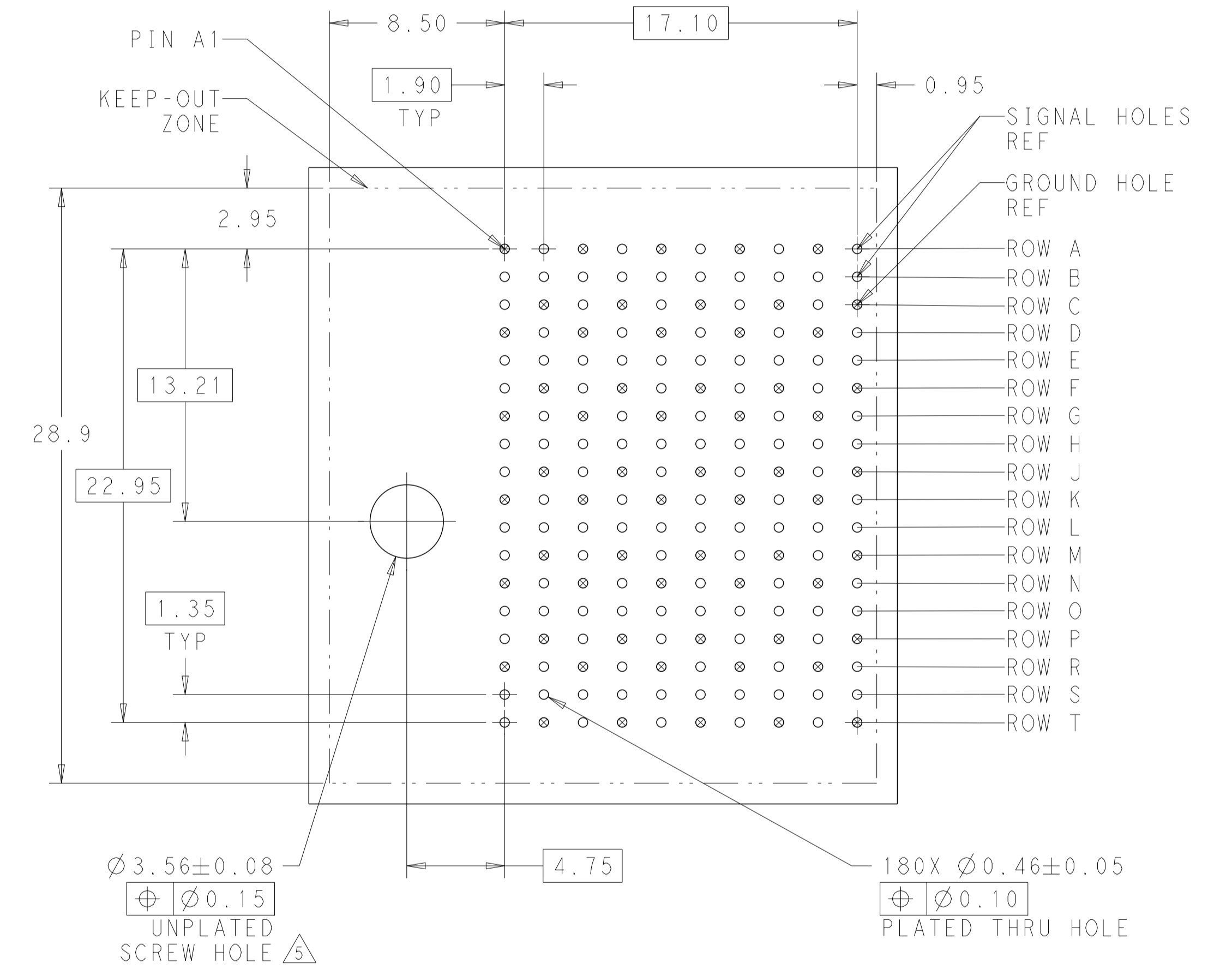


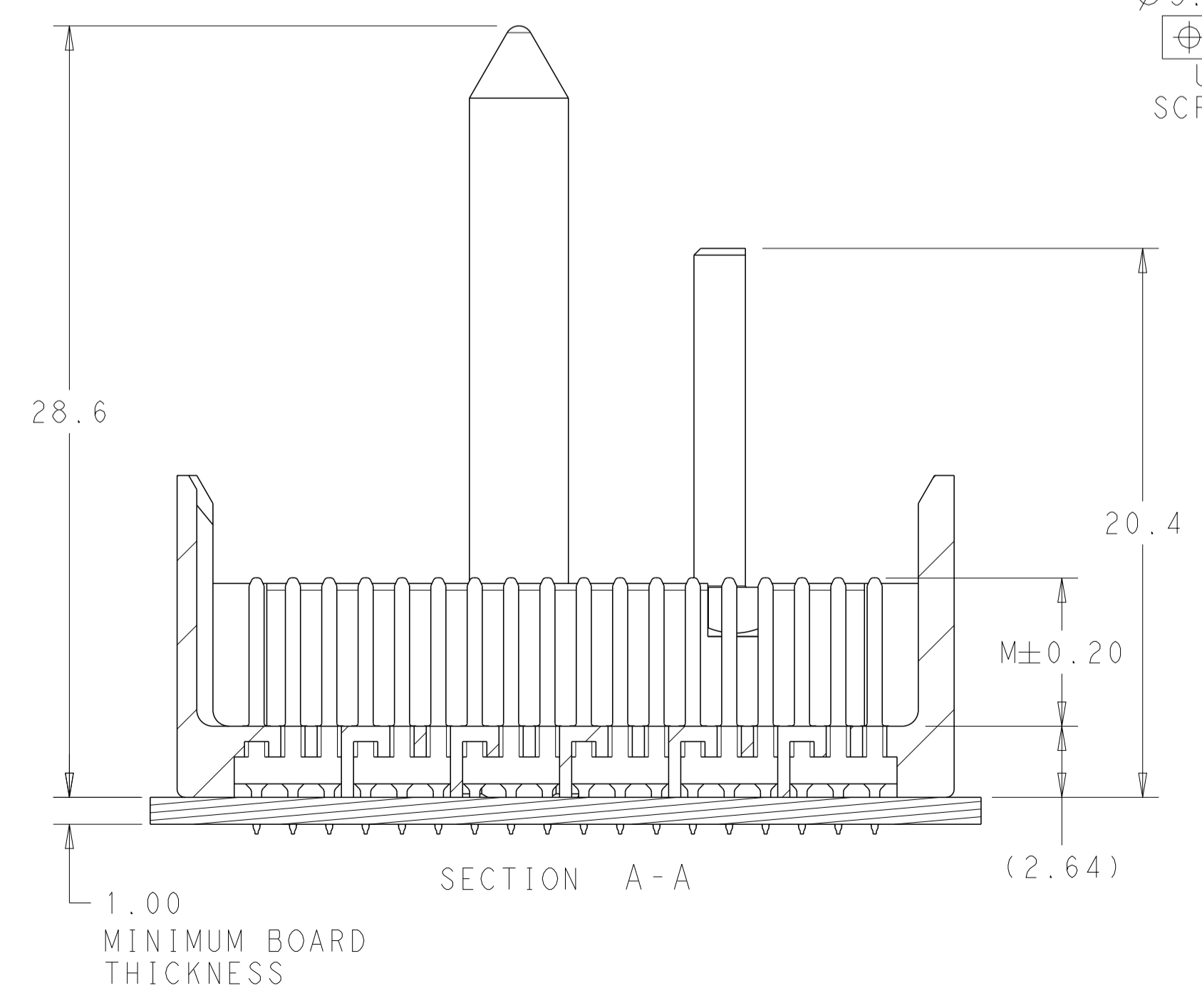
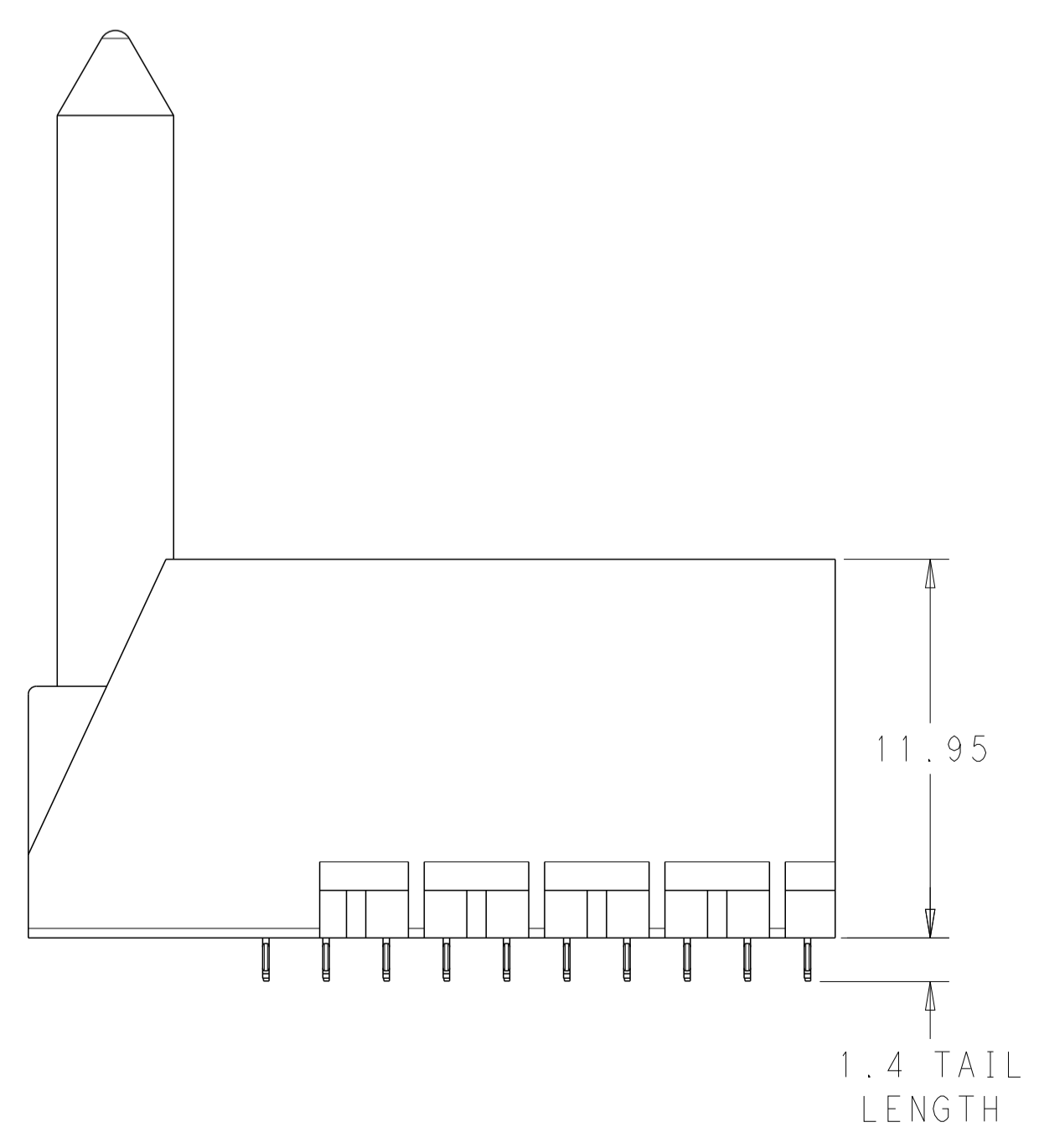
LOC	DIST	REVISIONS			
P	LTN	DESCRIPTION	DATE	DWN	APVD
A		CREATED BY AUTOMATION PROGRAM	02MAY2011	RKC	JE
A1		REVISED PER ECN-24-252171	22FEB2024	AP	RS



- 1 MATERIAL:
HOUSING: LCP, GLASS FILLED, UL94V-0.
TERMINALS: HIGH PERFORMANCE COPPER ALLOY.
- 2 FINISH:
30µ" MIN GOLD IN CONTACT AREA. SELECTIVE TIN ON PCB TAILS, NICKEL OVERALL.
- 3 FINISH:
30µ" MIN GOLD IN CONTACT AREA. SELECTIVE TIN-LEAD ON PCB TAILS, NICKEL OVERALL.
- 4. SCREWS PACKAGED IN END OF PACKAGING TUBE.
- 5 FOR GROUNDED GUIDE PIN USE Ø3.56±0.08 PTH, Ø3.66 DRILL, AND Ø6.5 PAD.
- 6. KEYING PIN SHOWN IN POSITION A, SEE KEYING CHART ON SHEET 2 FOR OTHER POSITIONS.



LEFT GUIDED BACKPLANE HOLE PATTERN (CONNECTOR SIDE)

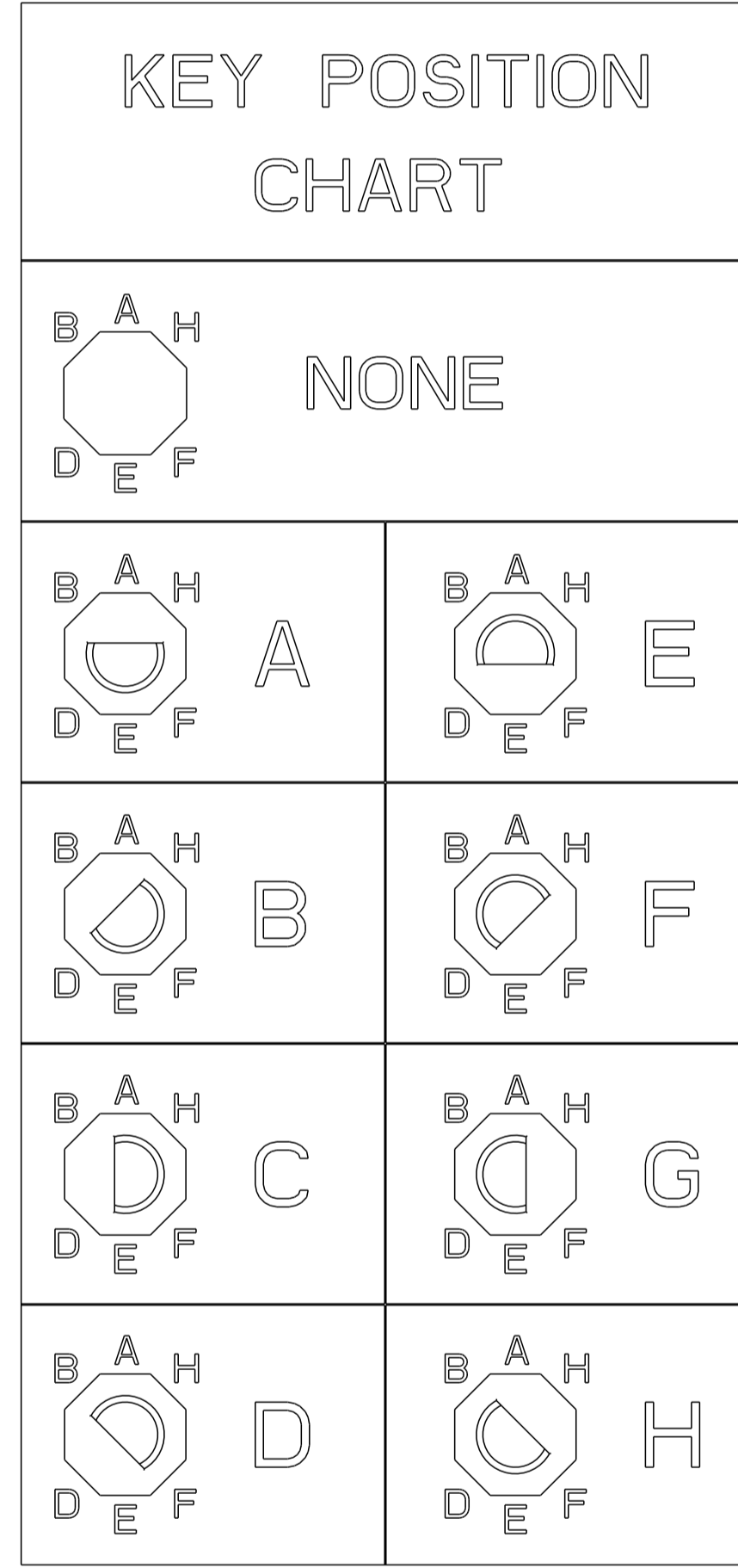


THIS DRAWING IS A CONTROLLED DOCUMENT.		DWN R. COELLO 02MAY2011	TE Connectivity NAME: IMPACT, 6 PAIR, 10 COLUMN, HEADER LEFT GUIDED, OPEN END WALL SIGNAL MODULE, 0.46 PTH SIZE: CAGE CODE DRAWING NO: A100779C=2007872 RESTRICTED TO:
DIMENSIONS: mm		CHK J. EARY 02MAY2011	
TOLERANCES UNLESS OTHERWISE SPECIFIED:		APVD J. EARY 02MAY2011	
0 PLC ± 1 PLC ±0.25 2 PLC ±0.13 3 PLC ± 4 PLC ± ANGLES ± FINISH SEE TABLE		PRODUCT SPEC APPLICATION SPEC	
MATERIAL		WEIGHT	SCALE 5:1 SHEET 1 OF 2 REV A1

LOC	DIST	P	LYR	DESCRIPTION	DATE	OWN	APVD
AD	00	-	-	SEE SHEET 1	-	-	-

3	H	5.5	8-2007872-6
3	H	4.9	8-2007872-5
3	H	4.5	8-2007872-4
2	H	5.5	8-2007872-3
2	H	4.9	8-2007872-2
2	H	4.5	8-2007872-1
3	G	5.5	7-2007872-6
3	G	4.9	7-2007872-5
3	G	4.5	7-2007872-4
2	G	5.5	7-2007872-3
2	G	4.9	7-2007872-2
2	G	4.5	7-2007872-1
3	F	5.5	6-2007872-6
3	F	4.9	6-2007872-5
3	F	4.5	6-2007872-4
2	F	5.5	6-2007872-3
2	F	4.9	6-2007872-2
2	F	4.5	6-2007872-1
3	E	5.5	5-2007872-6
3	E	4.9	5-2007872-5
3	E	4.5	5-2007872-4
2	E	5.5	5-2007872-3
2	E	4.9	5-2007872-2
2	E	4.5	5-2007872-1
3	D	5.5	4-2007872-6
3	D	4.9	4-2007872-5
3	D	4.5	4-2007872-4
2	D	5.5	4-2007872-3
2	D	4.9	4-2007872-2
2	D	4.5	4-2007872-1
3	C	5.5	3-2007872-6
3	C	4.9	3-2007872-5
3	C	4.5	3-2007872-4
2	C	5.5	3-2007872-3
2	C	4.9	3-2007872-2
2	C	4.5	3-2007872-1
3	B	5.5	2-2007872-6
3	B	4.9	2-2007872-5
3	B	4.5	2-2007872-4
2	B	5.5	2-2007872-3
2	B	4.9	2-2007872-2
2	B	4.5	2-2007872-1
3	A	5.5	1-2007872-6
3	A	4.9	1-2007872-5
3	A	4.5	1-2007872-4
2	A	5.5	1-2007872-3
2	A	4.9	1-2007872-2
2	A	4.5	1-2007872-1
3	-	5.5	2007872-6
3	-	4.9	2007872-5
3	-	4.5	2007872-4
2	-	5.5	2007872-3
2	-	4.9	2007872-2
2	-	4.5	2007872-1
FINISH	KEY POSITION	DIM M	PART NUMBER

OBSOLETE



REFER TO WWW.TE.COM
FOR PRODUCT AVAILABILITY

THIS DRAWING IS A CONTROLLED DOCUMENT.		OWN: R. COELLO 02MAY2011	TE Connectivity
DIMENSIONS: mm		CHK: J. EARY 02MAY2011	
TOLERANCES UNLESS OTHERWISE SPECIFIED:		APVD: J. EARY 02MAY2011	NAME: IMPACT, 6 PAIR, 10 COLUMN, HEADER LEFT GUIDED, OPEN END WALL SIGNAL MODULE, 0.46 PTH
0 PLC ±0.25		PRODUCT SPEC	
1 PLC ±0.13		APPLICATION SPEC	SIZE: CAGE CODE: DRAWING NO: RESTRICTED TO:
2 PLC ±0.13		WEIGHT: -	A100779C=2007872
3 PLC ±0.13		CUSTOMER DRAWING	SCALE: 5:1 SHEET 2 OF 2 REV: A1
4 PLC ±0.13			
ANGLES: ±0.5			
FINISH: SEE TABLE			