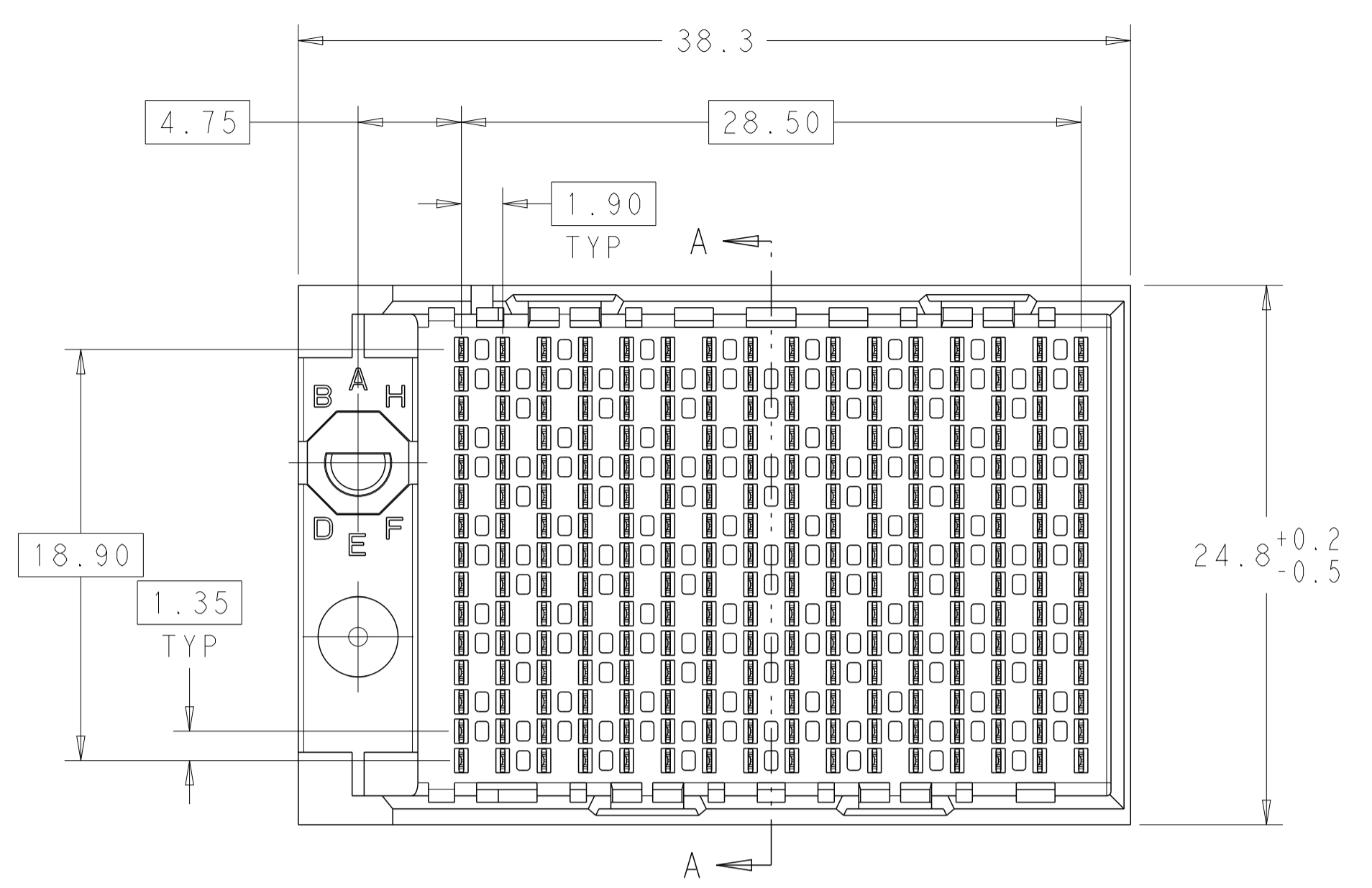
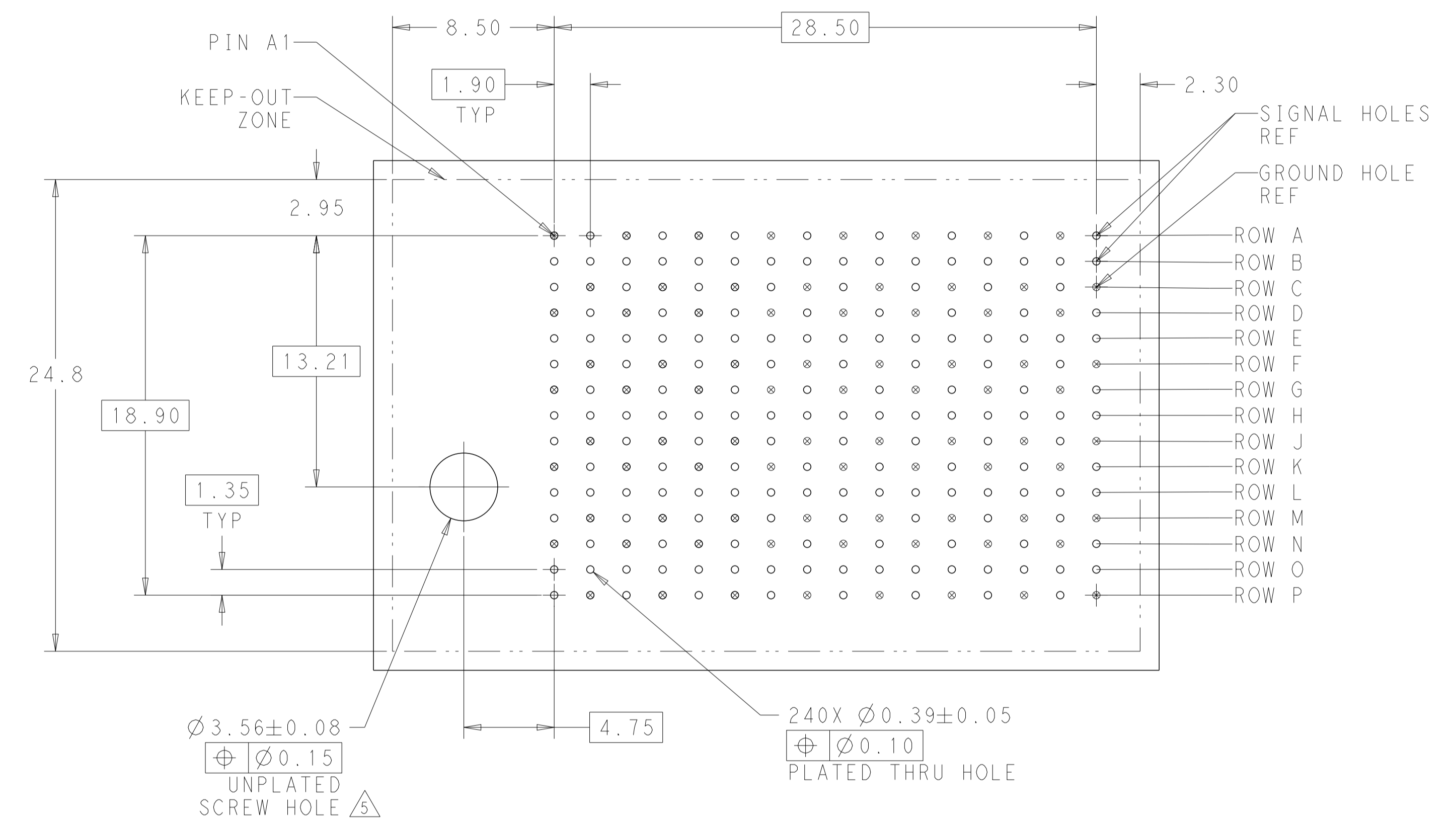
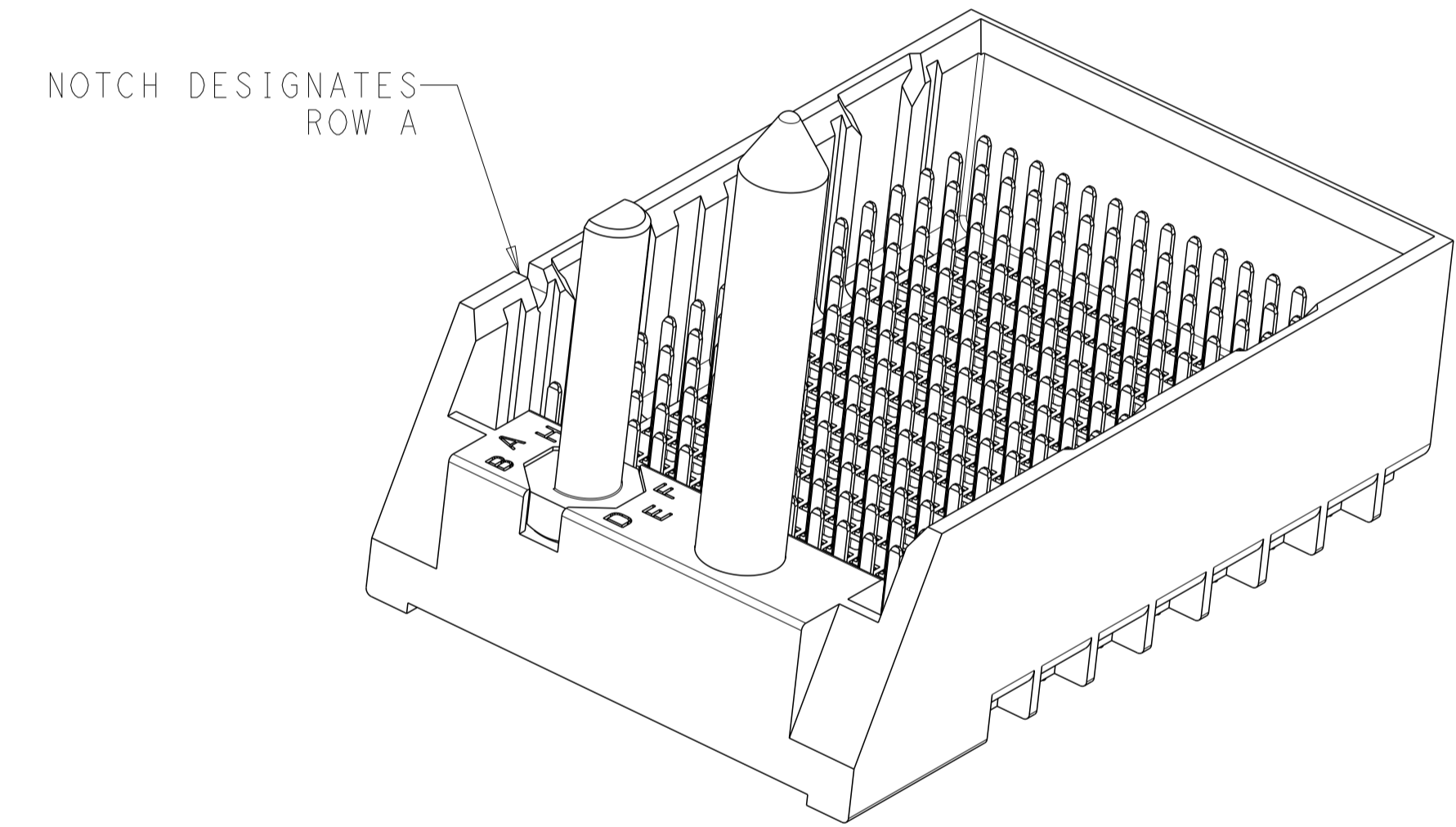


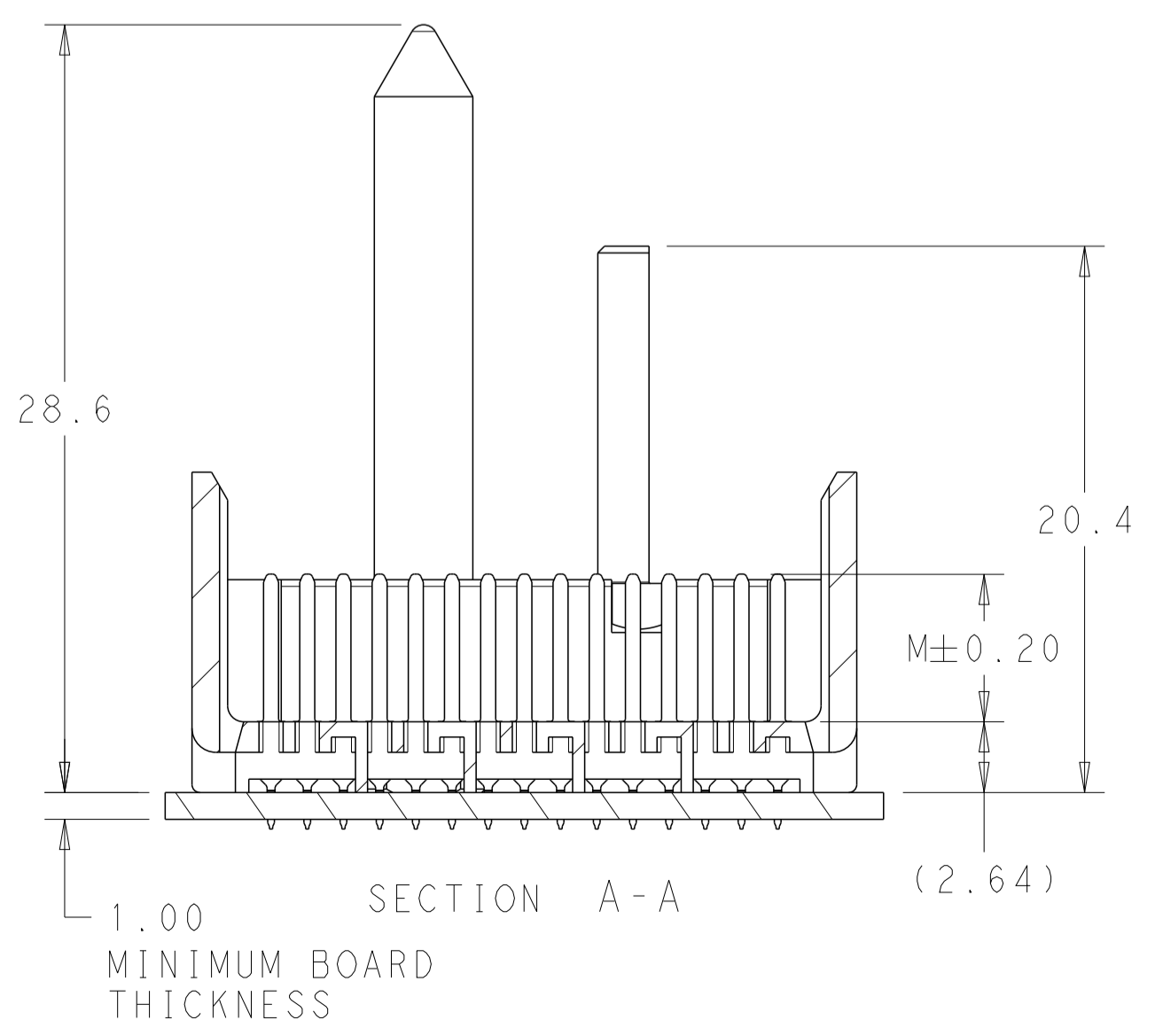
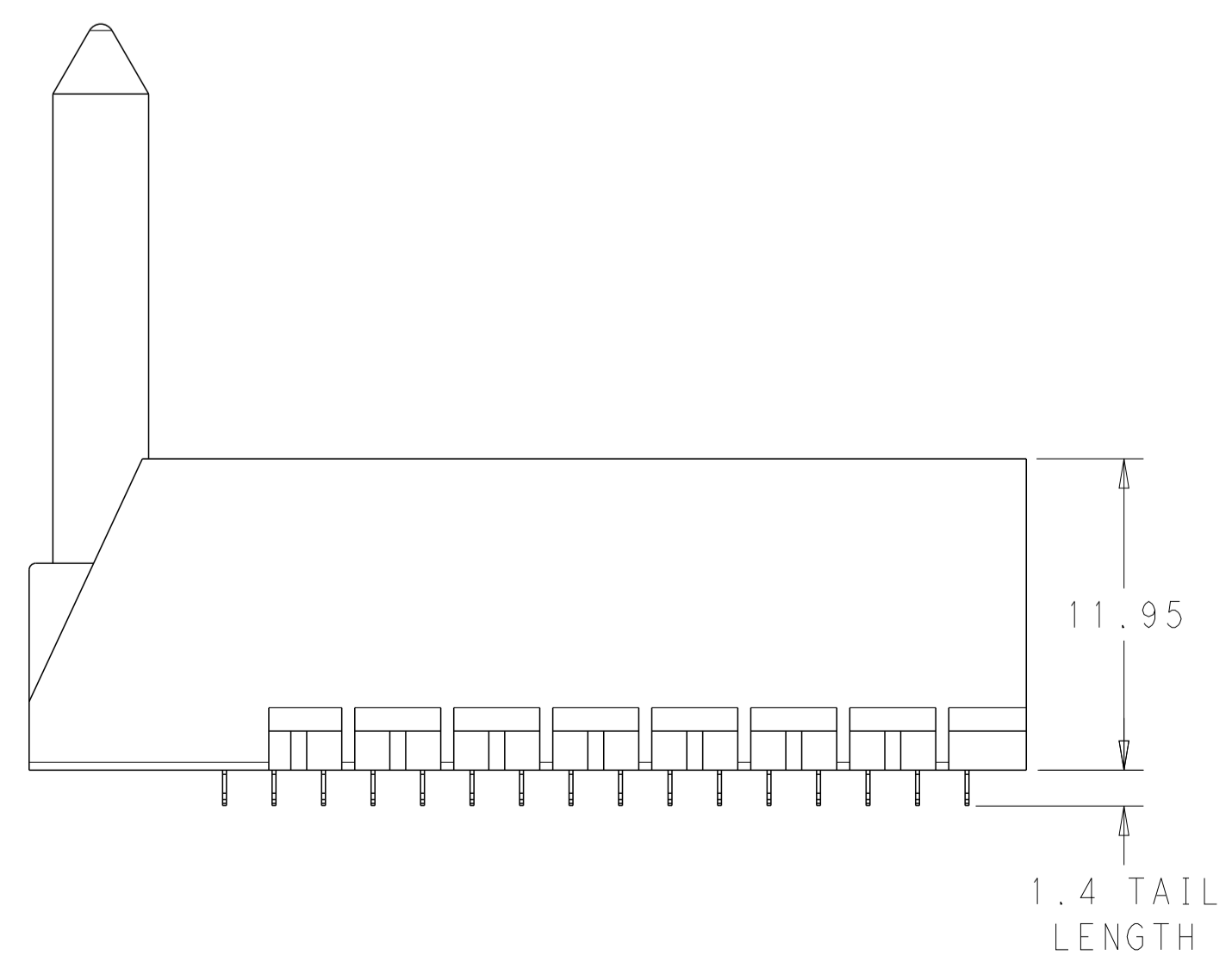
LOC	DIST	REVISIONS			
P	LTN	DESCRIPTION	DATE	DWN	APVD
B		REVISED PER ECO-11-025276	03JAN2012	KH	DY
B1		REVISED PER ECN-24-252171	07MAR2024	AP	RS



- 1. MATERIAL:
HOUSING: LCP, GLASS FILLED, UL94V-0.
TERMINALS: HIGH PERFORMANCE COPPER ALLOY.
- 2. FINISH:
30μ" MIN GOLD IN CONTACT AREA. SELECTIVE TIN ON PCB TAILS, NICKEL OVERALL.
- 3. FINISH:
30μ" MIN GOLD IN CONTACT AREA. SELECTIVE TIN-LEAD ON PCB TAILS, NICKEL OVERALL.
- 4. SCREWS PACKAGED IN END OF PACKAGING TUBE.
- 5. FOR GROUNDED GUIDE PIN USE $\varnothing 3.56 \pm 0.08$ PTH, $\varnothing 3.66$ DRILL, AND $\varnothing 6.5$ PAD.
- 6. KEYING PIN SHOWN IN POSITION A, SEE KEYING CHART ON SHEET 2 FOR OTHER POSITIONS.



LEFT GUIDED BACKPLANE HOLE PATTERN (CONNECTOR SIDE)



THIS DRAWING IS A CONTROLLED DOCUMENT.		DWN: J. K. SHOBER 03JAN2012	TE Connectivity
DIMENSIONS: mm		CHK: J. EARY 03JAN2012	
TOLERANCES UNLESS OTHERWISE SPECIFIED:		APVD: J. EARY 03JAN2012	NAME: IMPACT, 5 PAIR, 16 COLUMN, HEADER LEFT GUIDED, RIGHT END WALL SIGNAL MODULE, 0.39 PTH
0 PLC ±0.25		PRODUCT SPEC	
1 PLC ±0.13		APPLICATION SPEC	SIZE: CAGE CODE DRAWING NO. RESTRICTED TO
2 PLC ±0.10		FINISH: SEE TABLE	A100779C=2007859
3 PLC ±0.08		MATERIAL: SEE TABLE	SCALE: 4:1 SHEET 1 OF 2 REV: B1
4 PLC ±0.05		ANGLES: SEE TABLE	CUSTOMER DRAWING

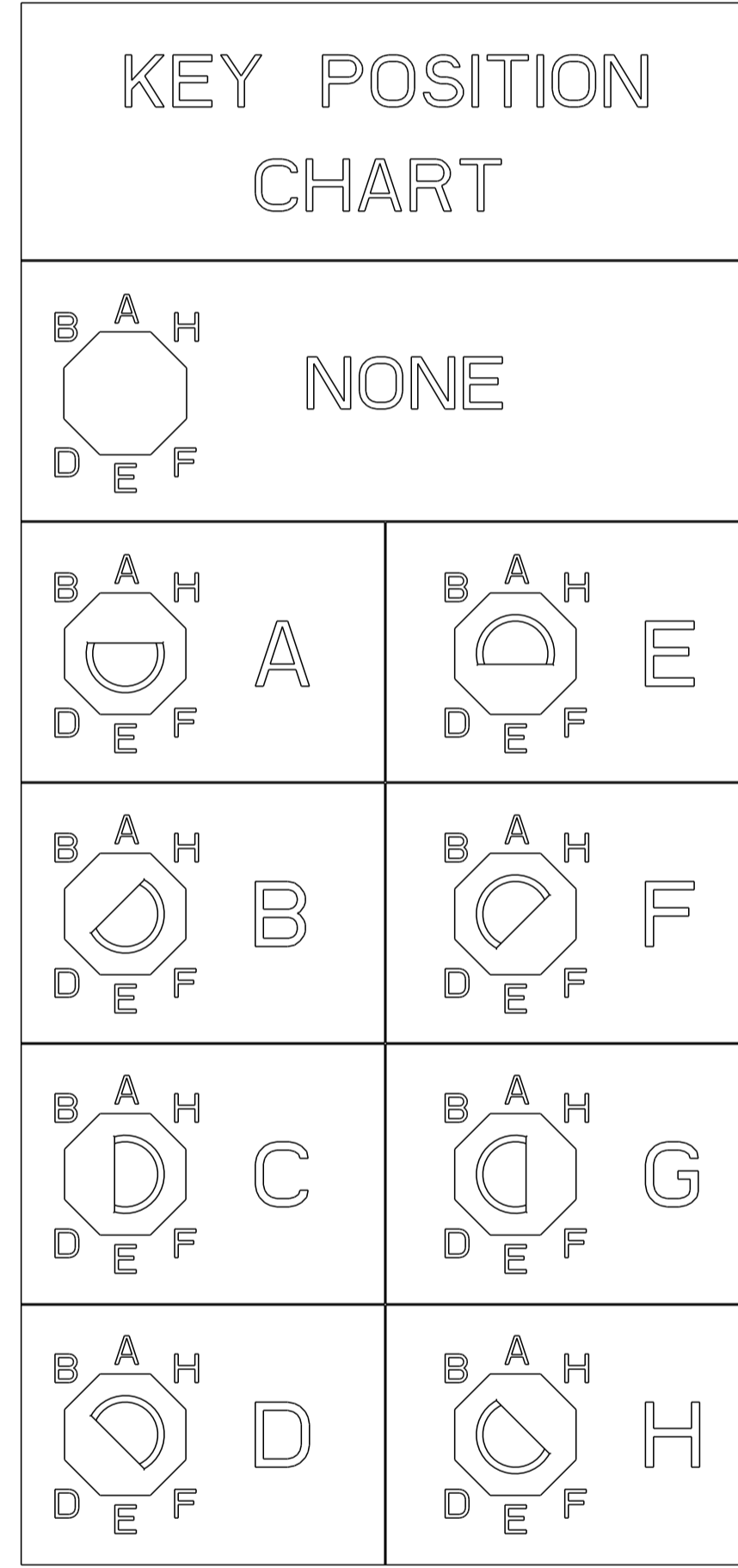
LOC	DIST	P	LYR	DESCRIPTION	DATE	OWN	APVD
AD	00	-	-	SEE SHEET 1	-	-	-

3	H	5.5	8-2007859-6
3	H	4.9	8-2007859-5
3	H	4.5	8-2007859-4
2	H	5.5	8-2007859-3
2	H	4.9	8-2007859-2
2	H	4.5	8-2007859-1
3	G	5.5	7-2007859-6
3	G	4.9	7-2007859-5
3	G	4.5	7-2007859-4
2	G	5.5	7-2007859-3
2	G	4.9	7-2007859-2
2	G	4.5	7-2007859-1
3	F	5.5	6-2007859-6
3	F	4.9	6-2007859-5
3	F	4.5	6-2007859-4
2	F	5.5	6-2007859-3
2	F	4.9	6-2007859-2
2	F	4.5	6-2007859-1
3	E	5.5	5-2007859-6
3	E	4.9	5-2007859-5
3	E	4.5	5-2007859-4
2	E	5.5	5-2007859-3
2	E	4.9	5-2007859-2
2	E	4.5	5-2007859-1
3	D	5.5	4-2007859-6
3	D	4.9	4-2007859-5
3	D	4.5	4-2007859-4
2	D	5.5	4-2007859-3
2	D	4.9	4-2007859-2
2	D	4.5	4-2007859-1
3	C	5.5	3-2007859-6
3	C	4.9	3-2007859-5
3	C	4.5	3-2007859-4
2	C	5.5	3-2007859-3
2	C	4.9	3-2007859-2
2	C	4.5	3-2007859-1
3	B	5.5	2-2007859-6
3	B	4.9	2-2007859-5
3	B	4.5	2-2007859-4
2	B	5.5	2-2007859-3
2	B	4.9	2-2007859-2
2	B	4.5	2-2007859-1
3	A	5.5	1-2007859-6
3	A	4.9	1-2007859-5
3	A	4.5	1-2007859-4
2	A	5.5	1-2007859-3
2	A	4.9	1-2007859-2
2	A	4.5	1-2007859-1
3	-	5.5	2007859-6
3	-	4.9	2007859-5
3	-	4.5	2007859-4
2	-	5.5	2007859-3
2	-	4.9	2007859-2
2	-	4.5	2007859-1
FINISH	KEY POSITION	DIM M	PART NUMBER

OBSOLETE

OBSOLETE

REFER TO WWW.TE.COM FOR PRODUCT AVAILABILITY



THIS DRAWING IS A CONTROLLED DOCUMENT.		OWN J. K. SHOBER 03JAN2012	TE Connectivity
DIMENSIONS: mm		CHK J. EARY 03JAN2012	
TOLERANCES UNLESS OTHERWISE SPECIFIED:		APVD J. EARY 03JAN2012	NAME IMPACT, 5 PAIR, 16 COLUMN, HEADER LEFT GUIDED, RIGHT END WALL SIGNAL MODULE, 0.39 PTH
0 PLC ±0.25		PRODUCT SPEC	
2 PLC ±0.13		APPLICATION SPEC	SIZE CAGE CODE DRAWING NO RESTRICTED TO
3 PLC ±		WEIGHT	A100779C=2007859
4 PLC ±		CUSTOMER DRAWING	SCALE 5:1 SHEET 2 OF 2 REV B1
ANGLES ±			
FINISH SEE TABLE			