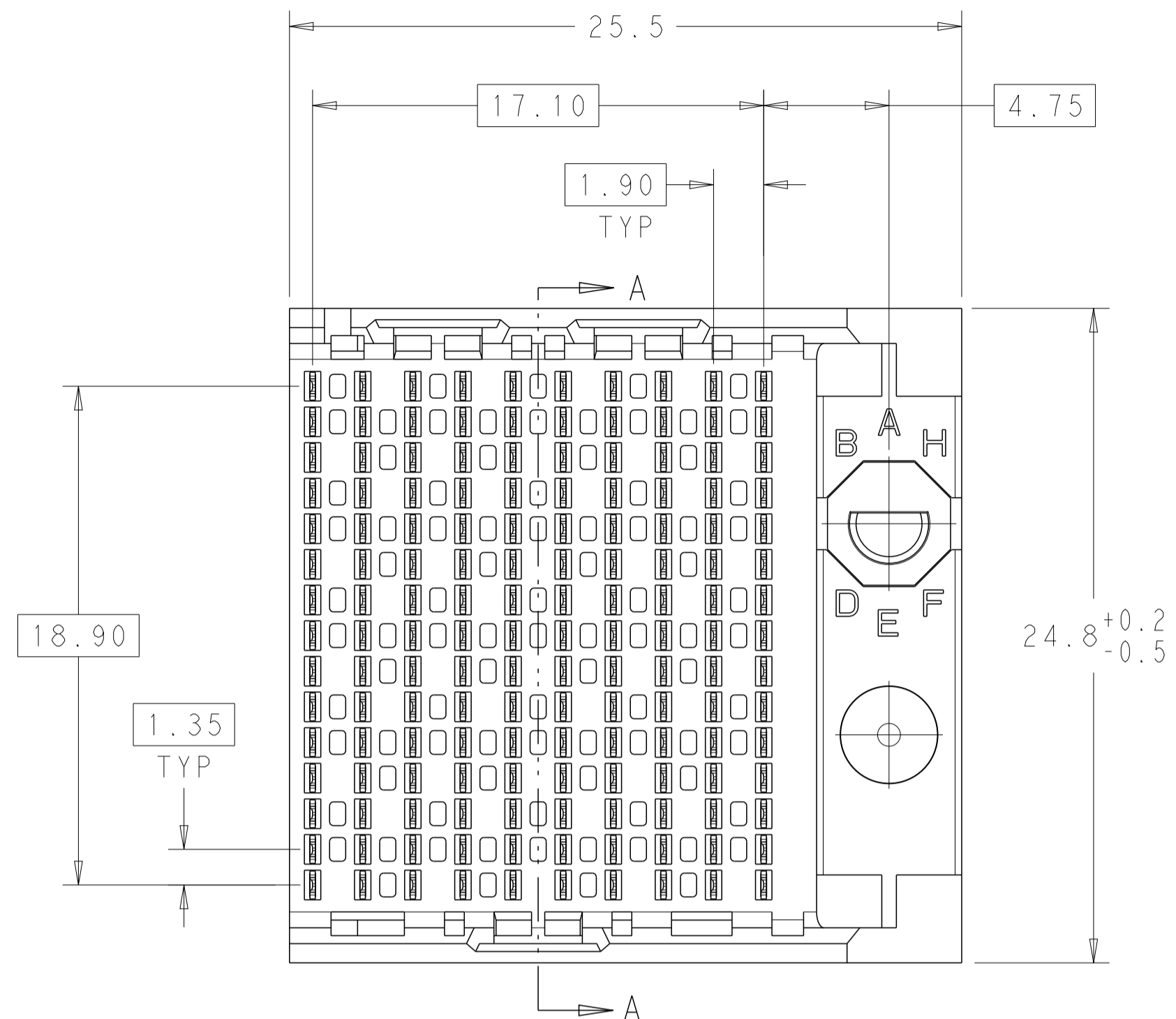
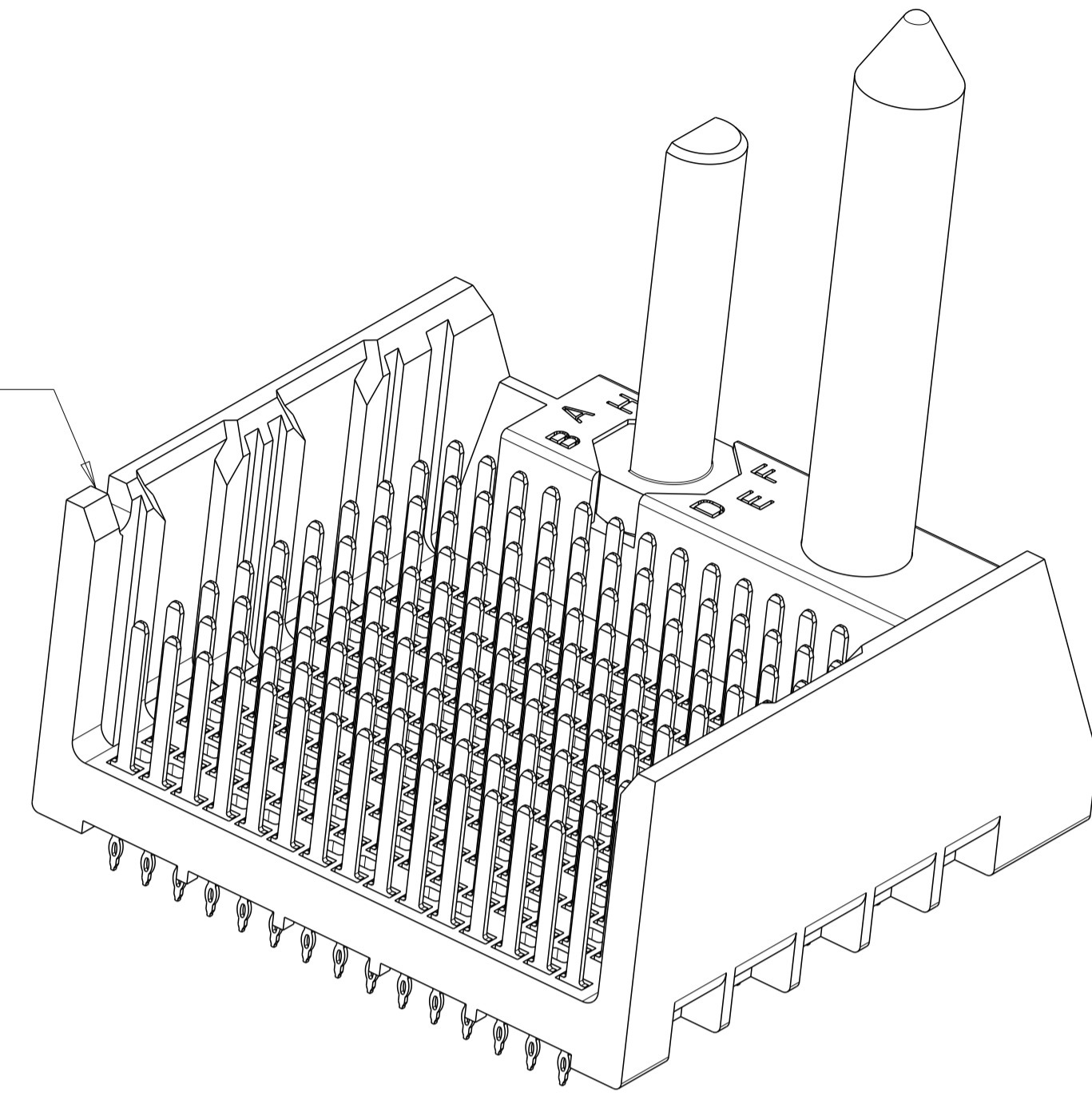


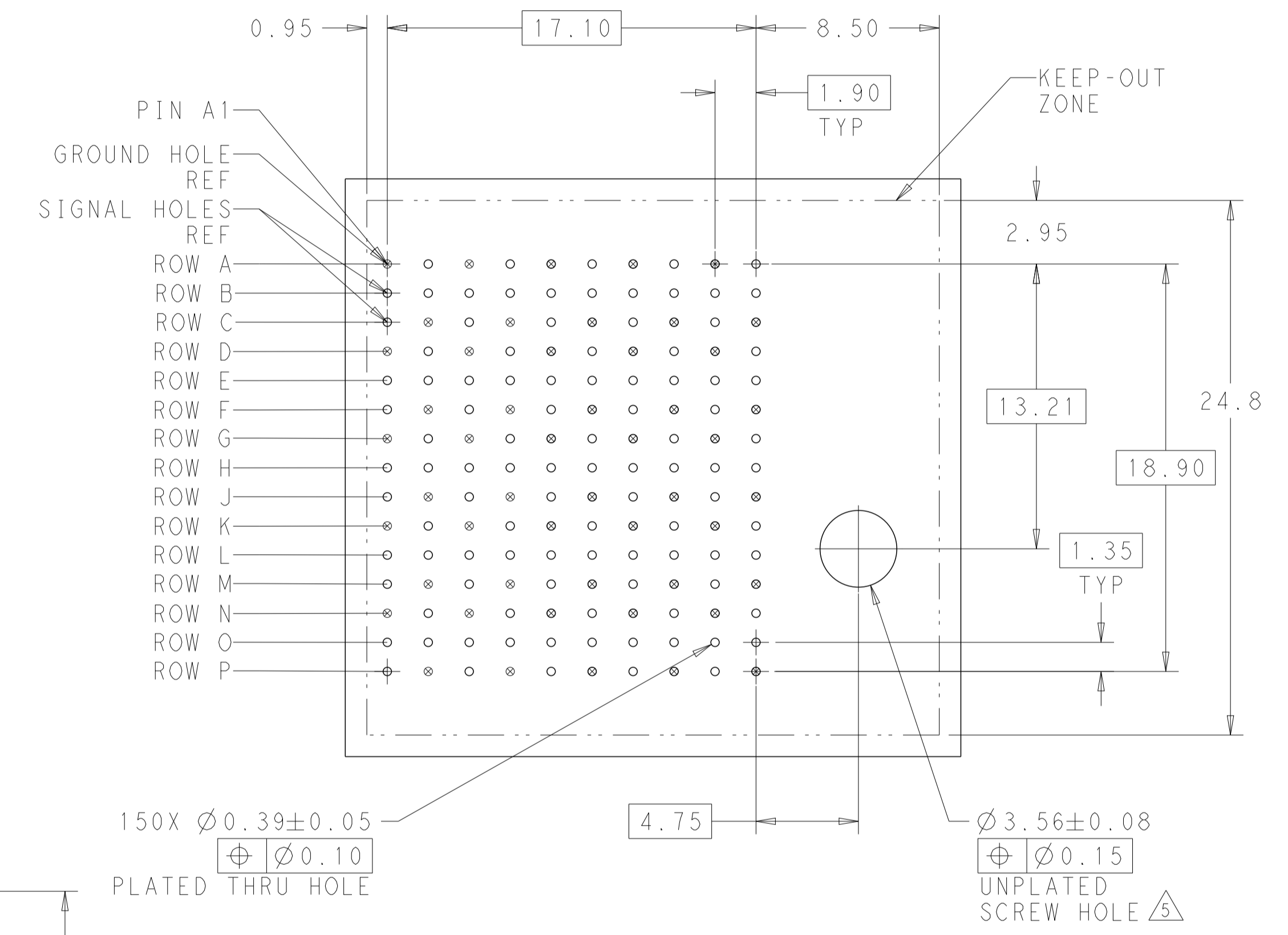
REVISIONS				
P	LTN	DESCRIPTION	DATE	APV
C		REVISED PER ECO-14-000933	28JAN2014	AP DD
C1		REVISED PER ECN-24-252171	23FEB2024	AP RS



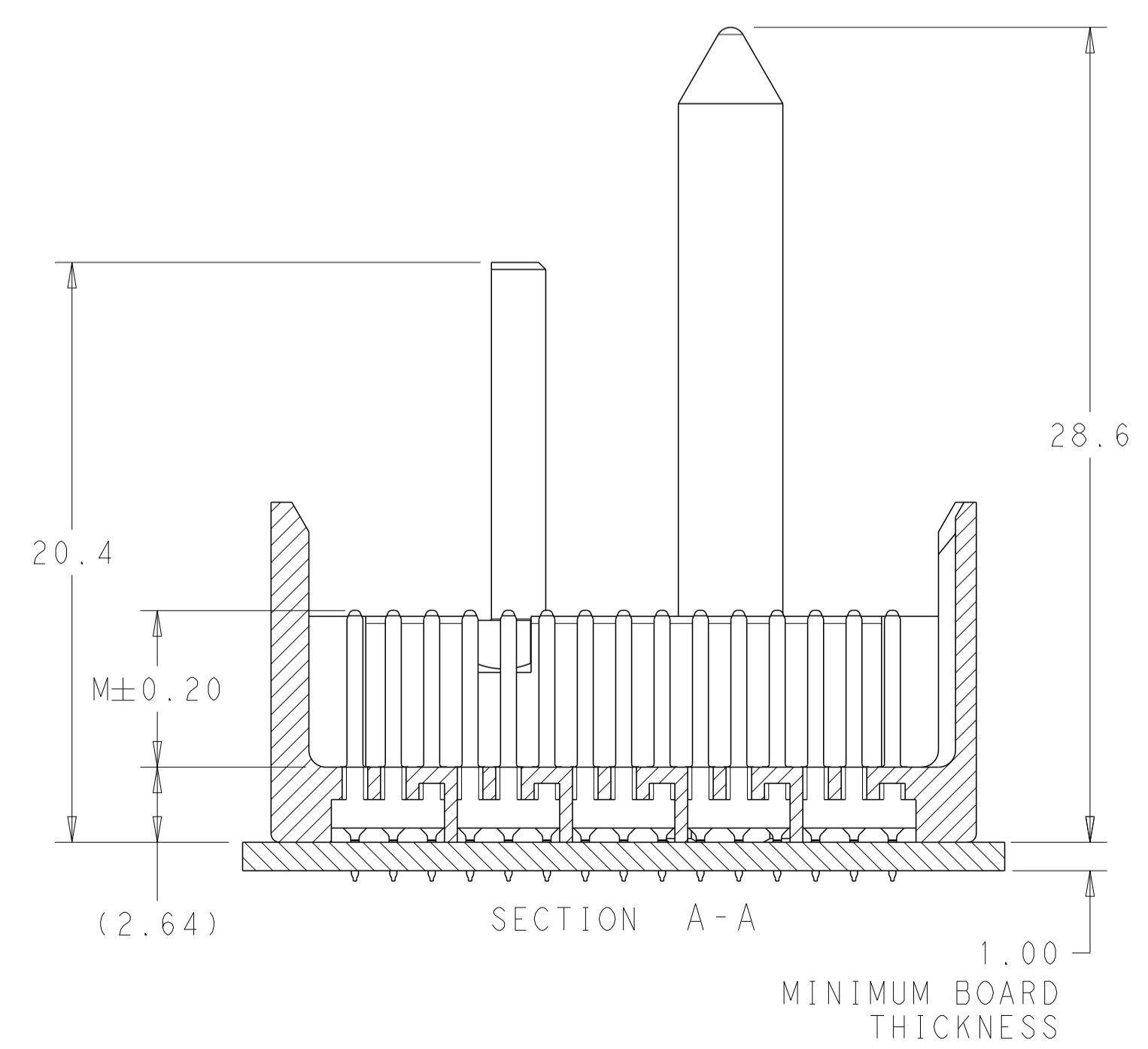
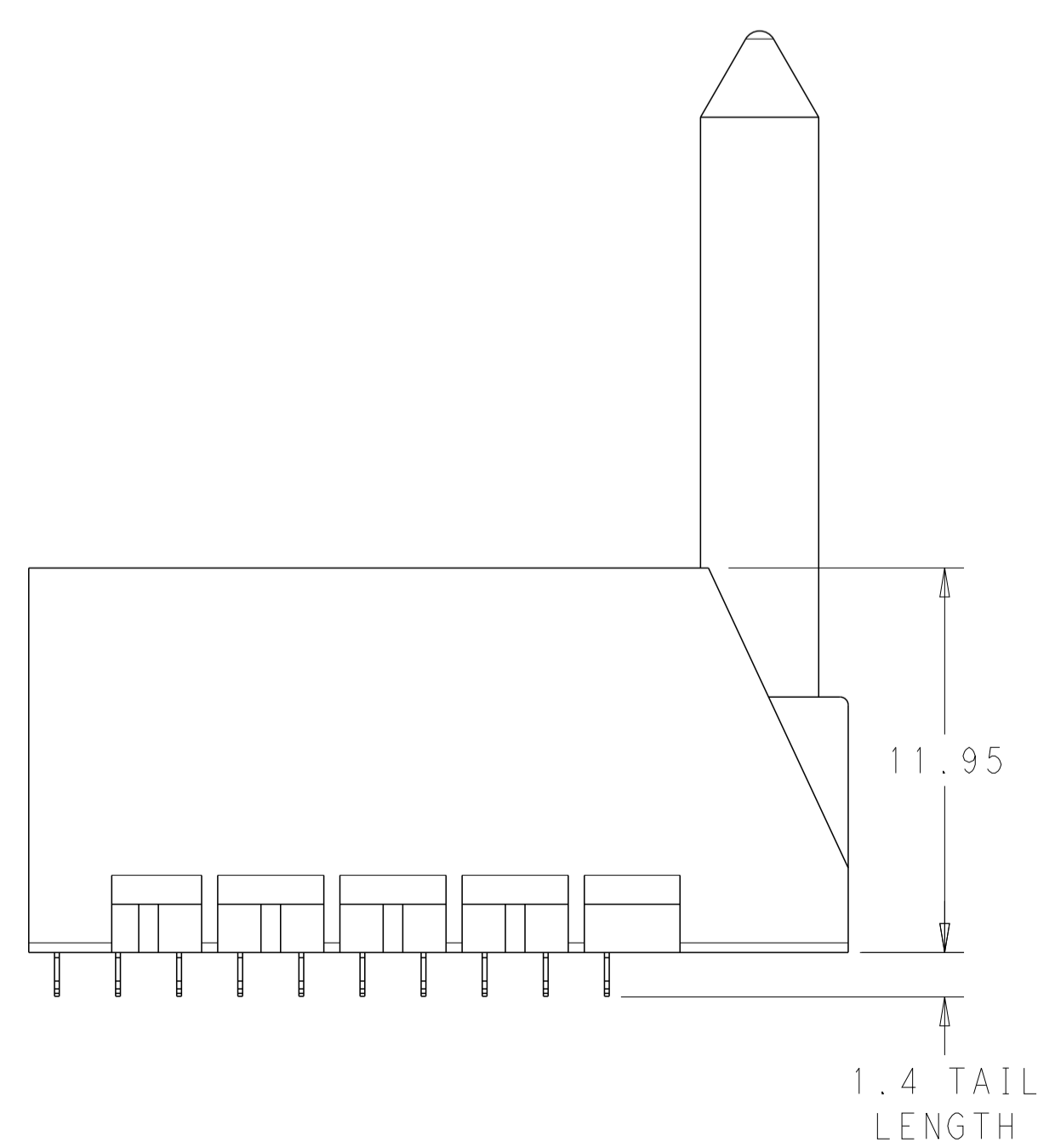
NOTCH DESIGNATES ROW A



- 1. MATERIAL:
HOUSING: LCP, GLASS FILLED, UL94V-0.
TERMINALS: HIGH PERFORMANCE COPPER ALLOY.
- 2. FINISH:
30μ" MIN GOLD IN CONTACT AREA. SELECTIVE TIN ON PCB TAILS, NICKEL OVERALL.
- 3. FINISH:
30μ" MIN GOLD IN CONTACT AREA. SELECTIVE TIN-LEAD ON PCB TAILS, NICKEL OVERALL.
- 4. SCREWS PACKAGED IN END OF PACKAGING TUBE.
- 5. FOR GROUNDED GUIDE PIN USE Ø3.56±0.08 PTH, Ø3.66 DRILL, AND Ø6.5 PAD.
- 6. KEYING PIN SHOWN IN POSITION A, SEE KEYING CHART ON SHEET 2 FOR OTHER POSITIONS.



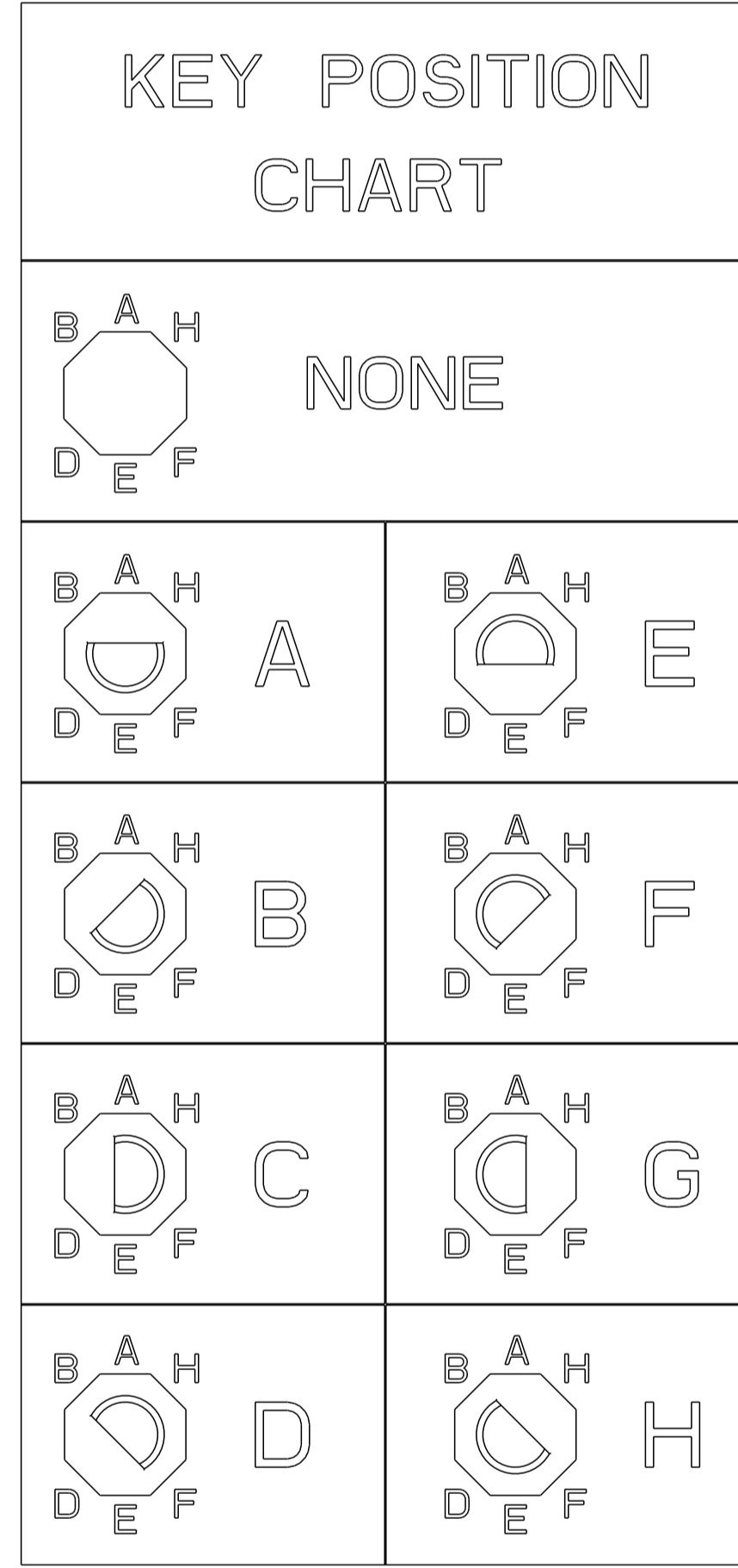
RIGHT GUIDED BACKPLANE HOLE PATTERN (CONNECTOR SIDE)



THIS DRAWING IS A CONTROLLED DOCUMENT.		OWN J. K. SHOBER 02FEB2011		TE Connectivity	
DIMENSIONS: mm		CHK J. EARY 02FEB2011		NAME IMPACT, 5 PAIR, 10 COLUMN, HEADER RIGHT GUIDED, OPEN END WALL SIGNAL MODULE, 0.39 PTH	
TOLERANCES UNLESS OTHERWISE SPECIFIED:		APV J. EARY 02FEB2011	PRODUCT SPEC		
0 PLC ±		APPLICATION SPEC	SIZE CAGE CODE DRAWING NO		
1 PLC ±0.25		WEIGHT	A100779C=2007845		
2 PLC ±0.13		CUSTOMER DRAWING	SCALE 5:1 SHEET 1 OF 2 REV C1		
3 PLC ±					
4 PLC ±					
ANGLES ±					
FINISH SEE TABLE					

REVISIONS				
P	LTN	DESCRIPTION	DATE	APVD
-	-	SEE SHEET 1	-	-

3	H	5.5	8-2007845-6	OBSOLETE
3	H	4.9	8-2007845-5	
3	H	4.5	8-2007845-4	
2	H	5.5	8-2007845-3	
2	H	4.9	8-2007845-2	
2	H	4.5	8-2007845-1	
3	G	5.5	7-2007845-6	
3	G	4.9	7-2007845-5	
3	G	4.5	7-2007845-4	
2	G	5.5	7-2007845-3	
2	G	4.9	7-2007845-2	
2	G	4.5	7-2007845-1	
3	F	5.5	6-2007845-6	
3	F	4.9	6-2007845-5	
3	F	4.5	6-2007845-4	
2	F	5.5	6-2007845-3	
2	F	4.9	6-2007845-2	
2	F	4.5	6-2007845-1	
3	E	5.5	5-2007845-6	
3	E	4.9	5-2007845-5	
3	E	4.5	5-2007845-4	
2	E	5.5	5-2007845-3	
2	E	4.9	5-2007845-2	
2	E	4.5	5-2007845-1	
3	D	5.5	4-2007845-6	
3	D	4.9	4-2007845-5	
3	D	4.5	4-2007845-4	
2	D	5.5	4-2007845-3	
2	D	4.9	4-2007845-2	
2	D	4.5	4-2007845-1	
3	C	5.5	3-2007845-6	
3	C	4.9	3-2007845-5	
3	C	4.5	3-2007845-4	
2	C	5.5	3-2007845-3	
2	C	4.9	3-2007845-2	
2	C	4.5	3-2007845-1	
3	B	5.5	2-2007845-6	
3	B	4.9	2-2007845-5	
3	B	4.5	2-2007845-4	
2	B	5.5	2-2007845-3	
2	B	4.9	2-2007845-2	
2	B	4.5	2-2007845-1	
3	A	5.5	1-2007845-6	
3	A	4.9	1-2007845-5	
3	A	4.5	1-2007845-4	
2	A	5.5	1-2007845-3	
2	A	4.9	1-2007845-2	
2	A	4.5	1-2007845-1	
3	-	5.5	2007845-6	
3	-	4.9	2007845-5	
3	-	4.5	2007845-4	
2	-	5.5	2007845-3	
2	-	4.9	2007845-2	
2	-	4.5	2007845-1	
FINISH	KEY POSITION	DIM M	PART NUMBER	OBSOLETE



REFER TO WWW.TE.COM
FOR PRODUCT AVAILABILITY

THIS DRAWING IS A CONTROLLED DOCUMENT.		DWN J.K. SHOBER 02FEB2011 CHK J. EARY 02FEB2011	
DIMENSIONS: mm	TOLERANCES UNLESS OTHERWISE SPECIFIED: 0 PLC ±0.25 1 PLC ±0.13 2 PLC ±0.13 3 PLC ±0.13 4 PLC ±0.13 ANGLES ±0.13	APVD J. EARY 02FEB2011	
MATERIAL	FINISH	WEIGHT	NAME IMPACT, 5 PAIR, 10 COLUMN, HEADER RIGHT GUIDED, OPEN END WALL SIGNAL MODULE, 0.39 PTH
SEE TABLE		CUSTOMER DRAWING	SIZE CAGE CODE DRAWING NO. RESTRICTED TO A100779C=2007845
SCALE 5:1		SHEET 2 OF 2	REV C1