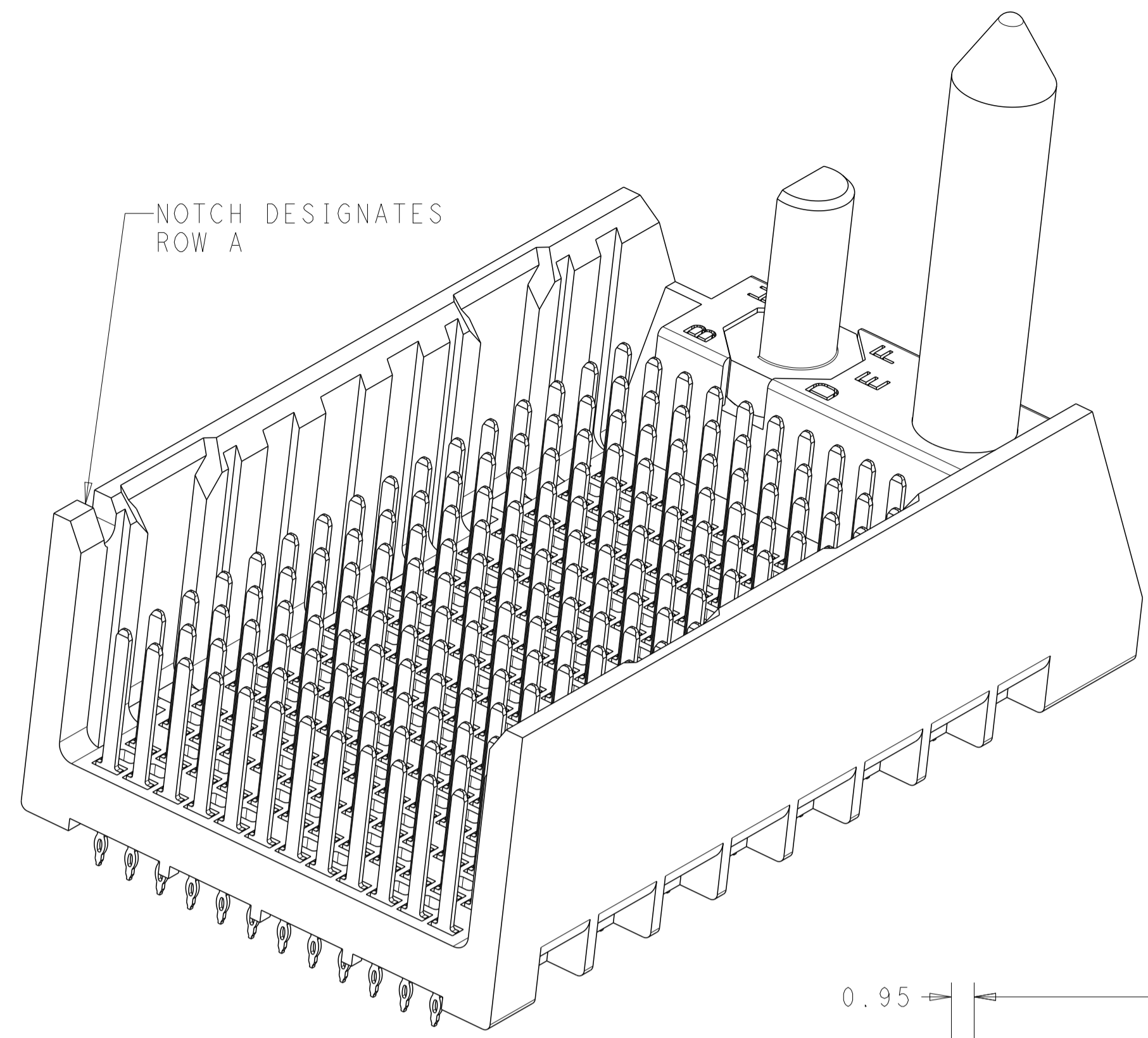
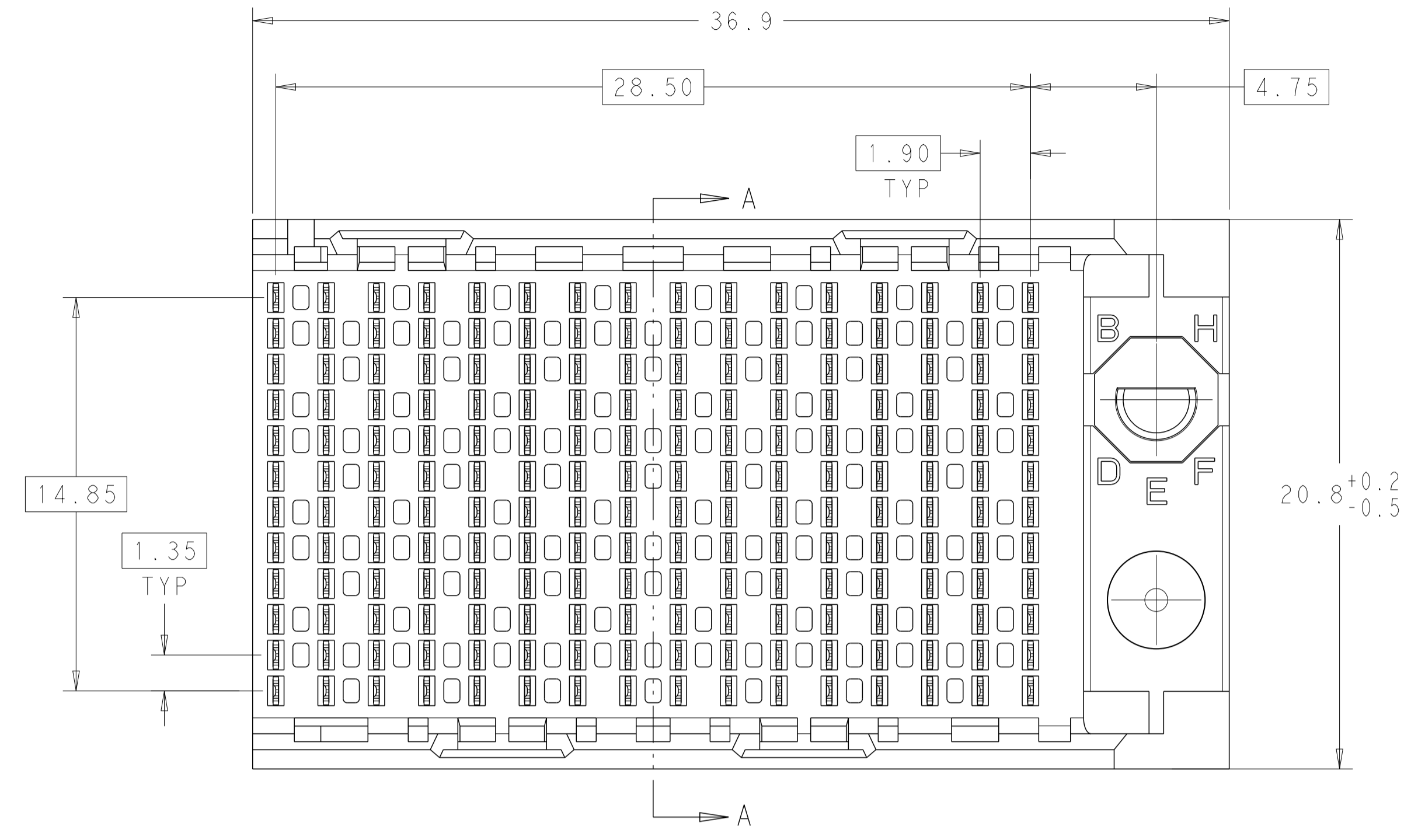
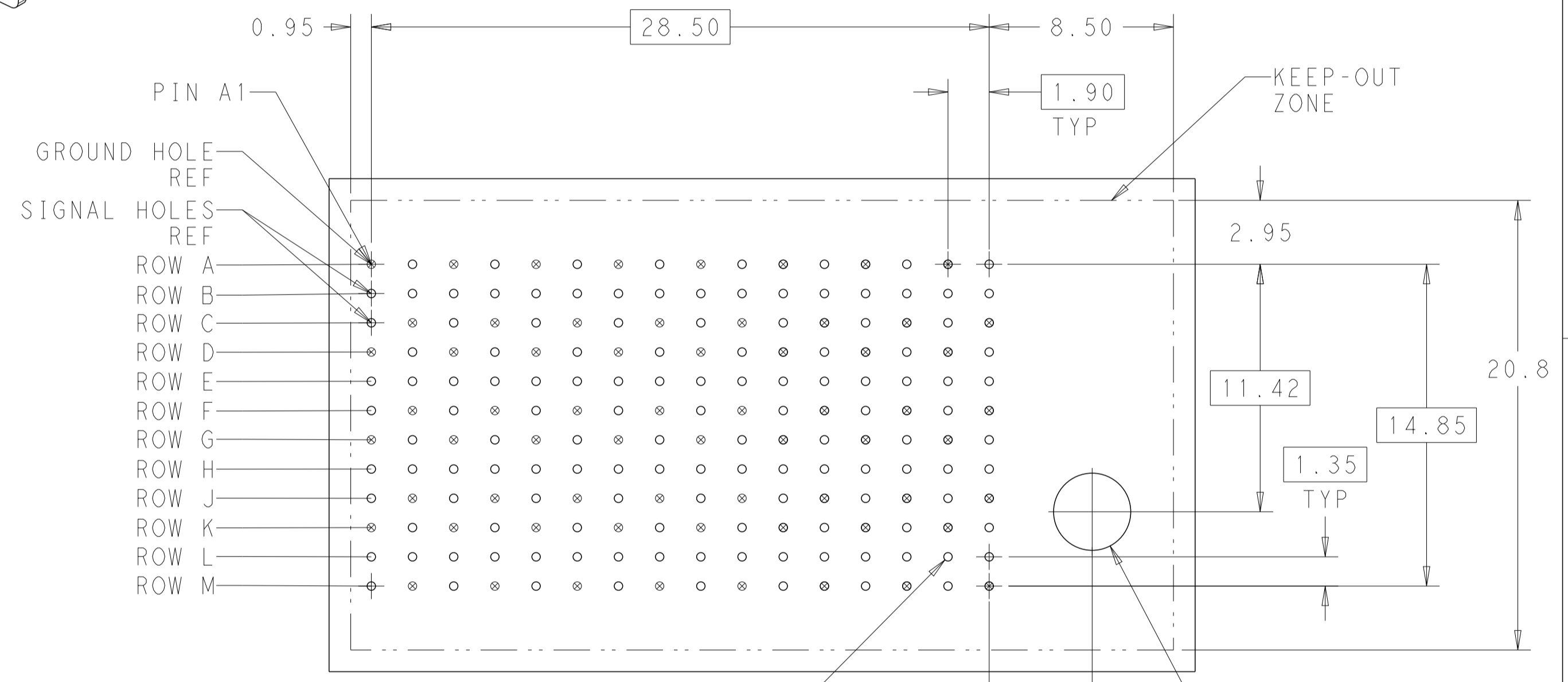


REVISIONS				
P	LTN	DESCRIPTION	DATE	OWN APVD
B1		REVISED PER ECO-15-001494	05FEB2015	AP DD
B2		REVISED PER ECN-24-252171	20FEB2024	AP RS



- 1 MATERIAL:  
HOUSING: LCP, GLASS FILLED, UL94V-0.  
TERMINALS: HIGH PERFORMANCE COPPER ALLOY.
- 2 FINISH:  
30µ" MIN GOLD IN CONTACT AREA. SELECTIVE TIN ON PCB TAILS, NICKEL OVERALL.
- 3. SCREWS PACKAGED IN END OF PACKAGING TUBE.
- 4 FOR GROUNDED GUIDE PIN USE  $\varnothing 3.56 \pm 0.08$  PTH,  $\varnothing 3.66$  DRILL, AND  $\varnothing 6.5$  PAD.
- 5. KEYING PIN SHOWN IN POSITION A, SEE KEYING CHART ON SHEET 2 FOR OTHER POSITIONS.

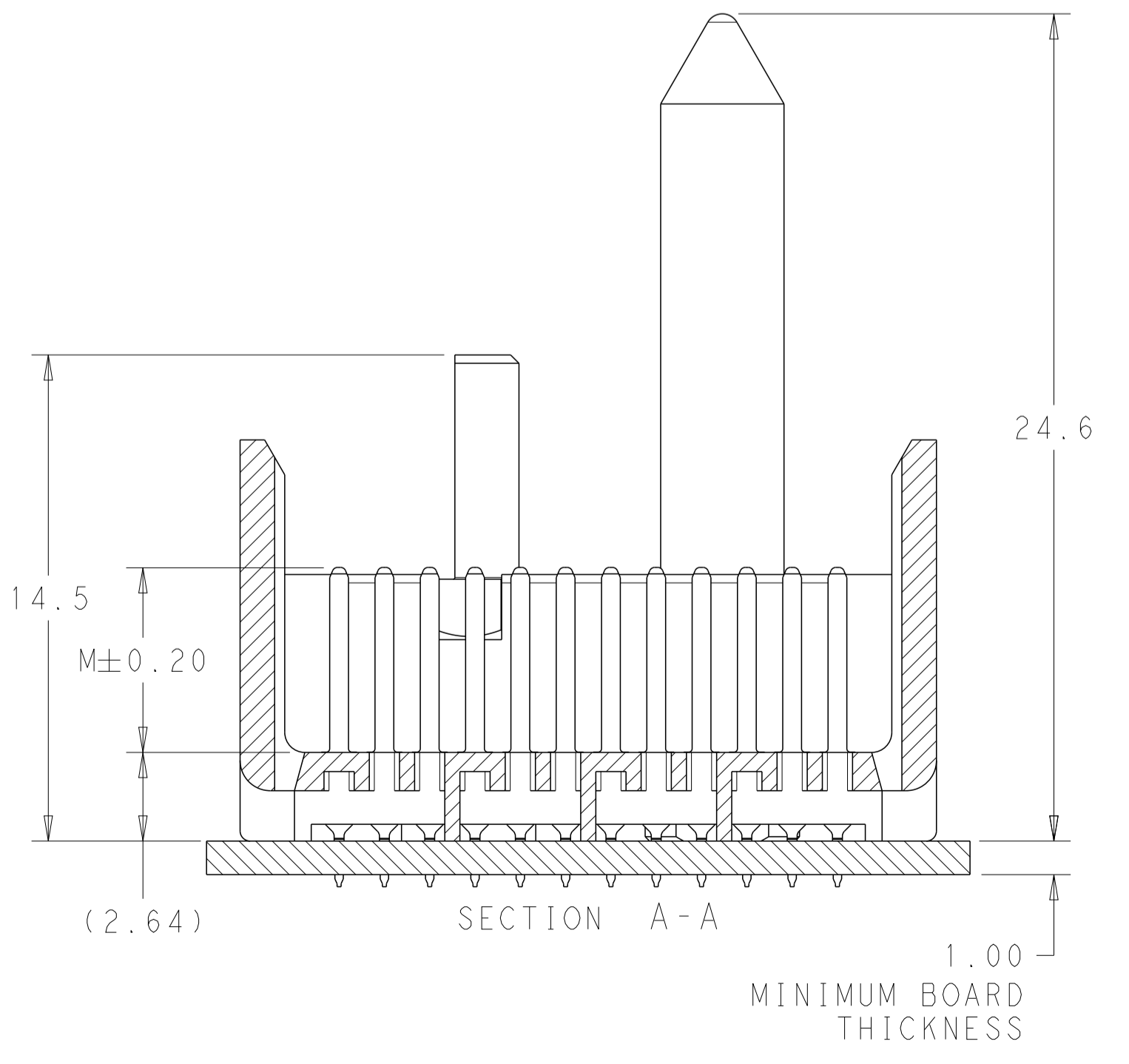
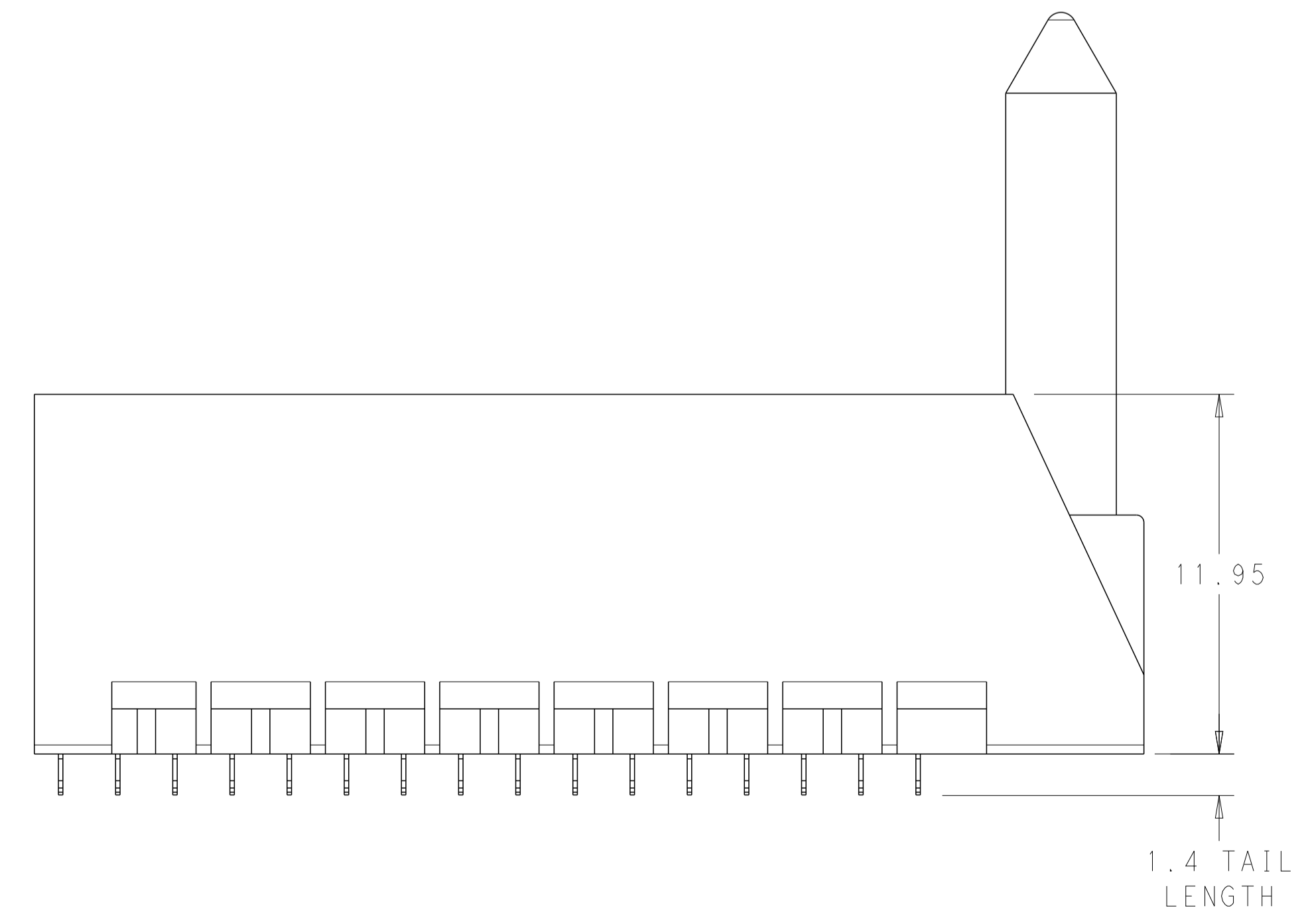


- PIN A1
- GROUND HOLE REF
- SIGNAL HOLES REF
- ROW A
- ROW B
- ROW C
- ROW D
- ROW E
- ROW F
- ROW G
- ROW H
- ROW J
- ROW K
- ROW L
- ROW M

192X  $\varnothing 0.39 \pm 0.05$   
 $\varnothing 0.10$  PLATED THRU HOLE

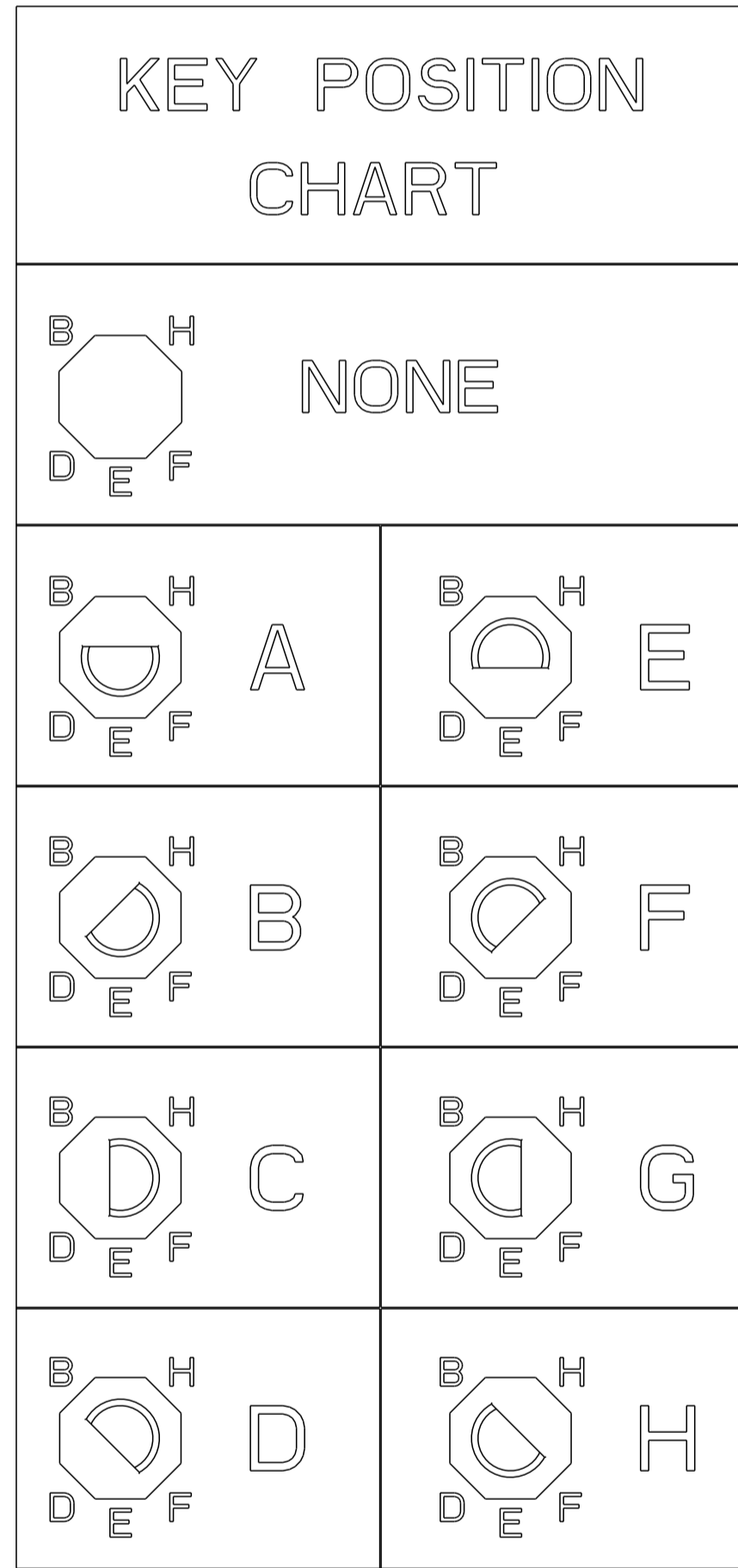
$\varnothing 3.56 \pm 0.08$   
 $\varnothing 0.15$  UNPLATED SCREW HOLE

RIGHT GUIDED BACKPLANE HOLE PATTERN (CONNECTOR SIDE)



THIS DRAWING IS A CONTROLLED DOCUMENT.		OWN J. K. SHOBER 13JAN2011	TE Connectivity
DIMENSIONS: mm		CHK J. EARY 13JAN2011	
TOLERANCES UNLESS OTHERWISE SPECIFIED:		APVD J. EARY 13JAN2011	NAME
0 PLC	±	PRODUCT SPEC	IMPACT, 4 PAIR, 16 COLUMN, HEADER
1 PLC	±0.25	APPLICATION SPEC	RIGHT GUIDED, OPEN END WALL
2 PLC	±0.13		SIGNAL MODULE, 0.39 PTH
3 PLC	±		SIZE CAGE CODE DRAWING NO RESTRICTED TO
4 PLC	±		A100779C=2007829
ANGLES	±	WEIGHT	
FINISH	SEE TABLE	CUSTOMER DRAWING	SCALE 6:1 SHEET 1 OF 2 REV B2

REVISIONS				
P	LTN	DESCRIPTION	DATE	OWN APVD
-	-	SEE SHEET 1	-	-



FINISH	KEY POSITION	DIM M	PART NUMBER
	H	5.5	<del>8-2007829-3</del>
	H	4.9	<del>8-2007829-2</del>
	H	4.5	<del>8-2007829-1</del>
	G	5.5	<del>7-2007829-3</del>
	G	4.9	<del>7-2007829-2</del>
	G	4.5	<del>7-2007829-1</del>
	F	5.5	<del>6-2007829-3</del>
	F	4.9	<del>6-2007829-2</del>
	F	4.5	<del>6-2007829-1</del>
	E	5.5	<del>5-2007829-3</del>
	E	4.9	<del>5-2007829-2</del>
	E	4.5	<del>5-2007829-1</del>
	D	5.5	<del>4-2007829-3</del>
	D	4.9	<del>4-2007829-2</del>
	D	4.5	<del>4-2007829-1</del>
	C	5.5	<del>3-2007829-3</del>
	C	4.9	<del>3-2007829-2</del>
	C	4.5	<del>3-2007829-1</del>
	B	5.5	<del>2-2007829-3</del>
	B	4.9	<del>2-2007829-2</del>
	B	4.5	<del>2-2007829-1</del>
	A	5.5	1-2007829-3
	A	4.9	1-2007829-2
	A	4.5	1-2007829-1
	-	5.5	2007829-3
	-	4.9	2007829-2
	-	4.5	2007829-1

OBSOLETE

REFER TO WWW.TE.COM FOR PRODUCT AVAILABILITY

THIS DRAWING IS A CONTROLLED DOCUMENT.		OWN J. K. SHOBER 13JAN2011	
DIMENSIONS: mm		CHK J. EARY 13JAN2011	
TOLERANCES UNLESS OTHERWISE SPECIFIED:		APVD J. EARY 13JAN2011	NAME
0 PLC ±0.25	1 PLC ±0.13	PRODUCT SPEC	IMPACT, 4 PAIR, 16 COLUMN, HEADER
2 PLC ±0.13	3 PLC ±0.13	APPLICATION SPEC	RIGHT GUIDED, OPEN END WALL
4 PLC ±0.13	ANGLES ±0.13	RESTRICTED TO	SIGNAL MODULE, 0.39 PTH
FINISH	SEE TABLE	WEIGHT	SIZE CAGE CODE DRAWING NO
MATERIAL	SEE TABLE	CUSTOMER DRAWING	A100779C=2007829
SCALE 5:1		SHEET 2 OF 2	REV B2