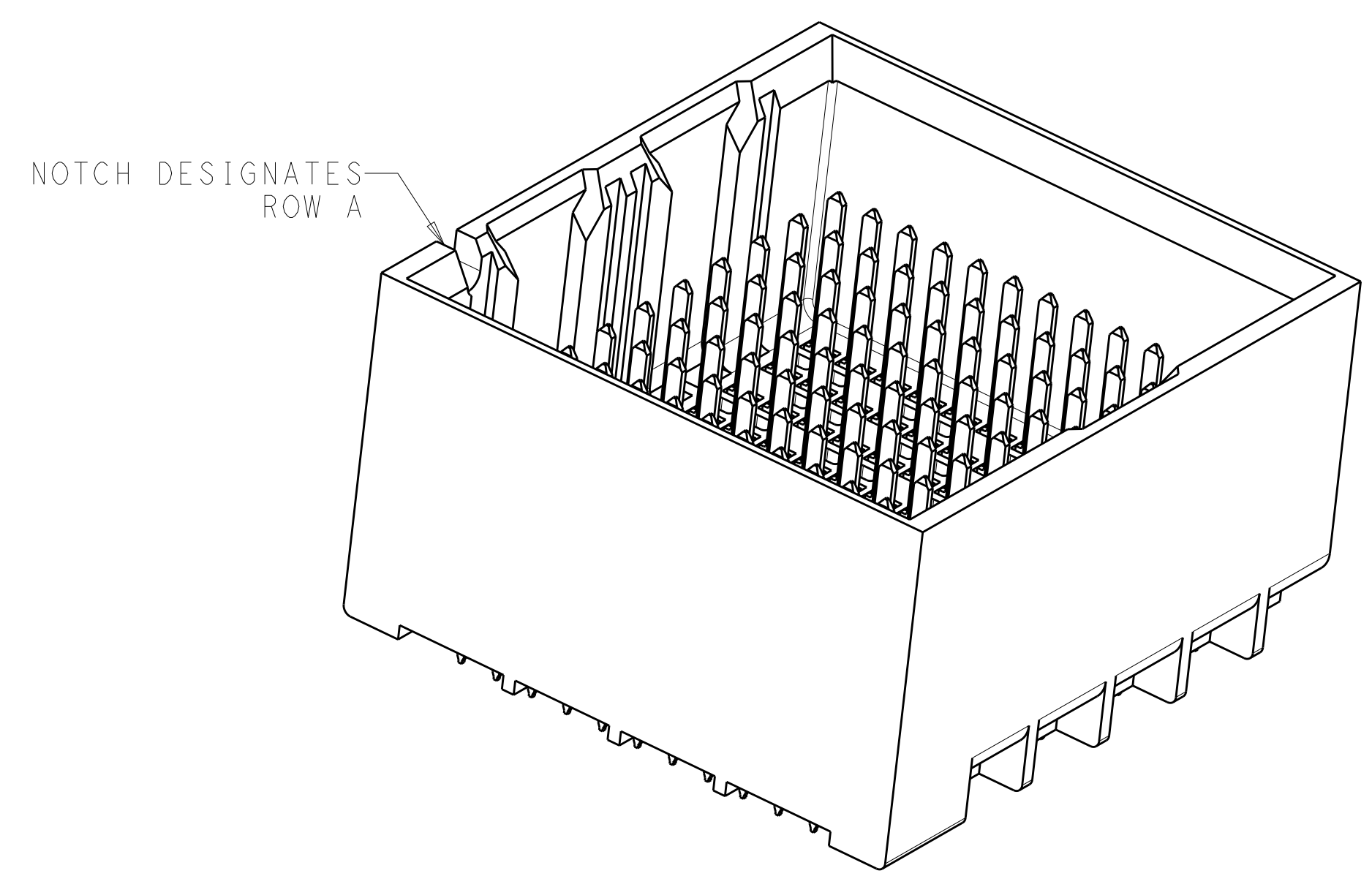
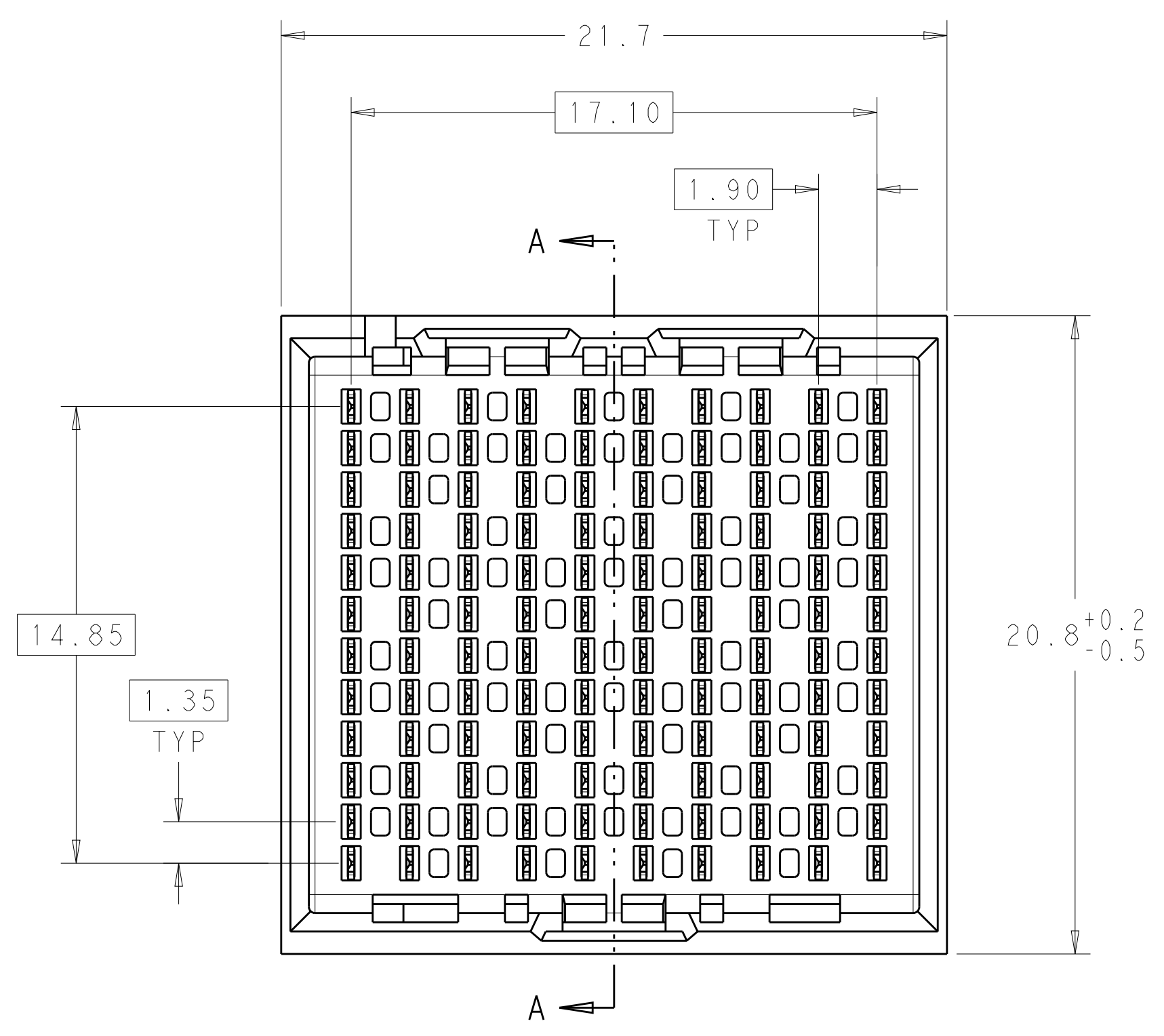
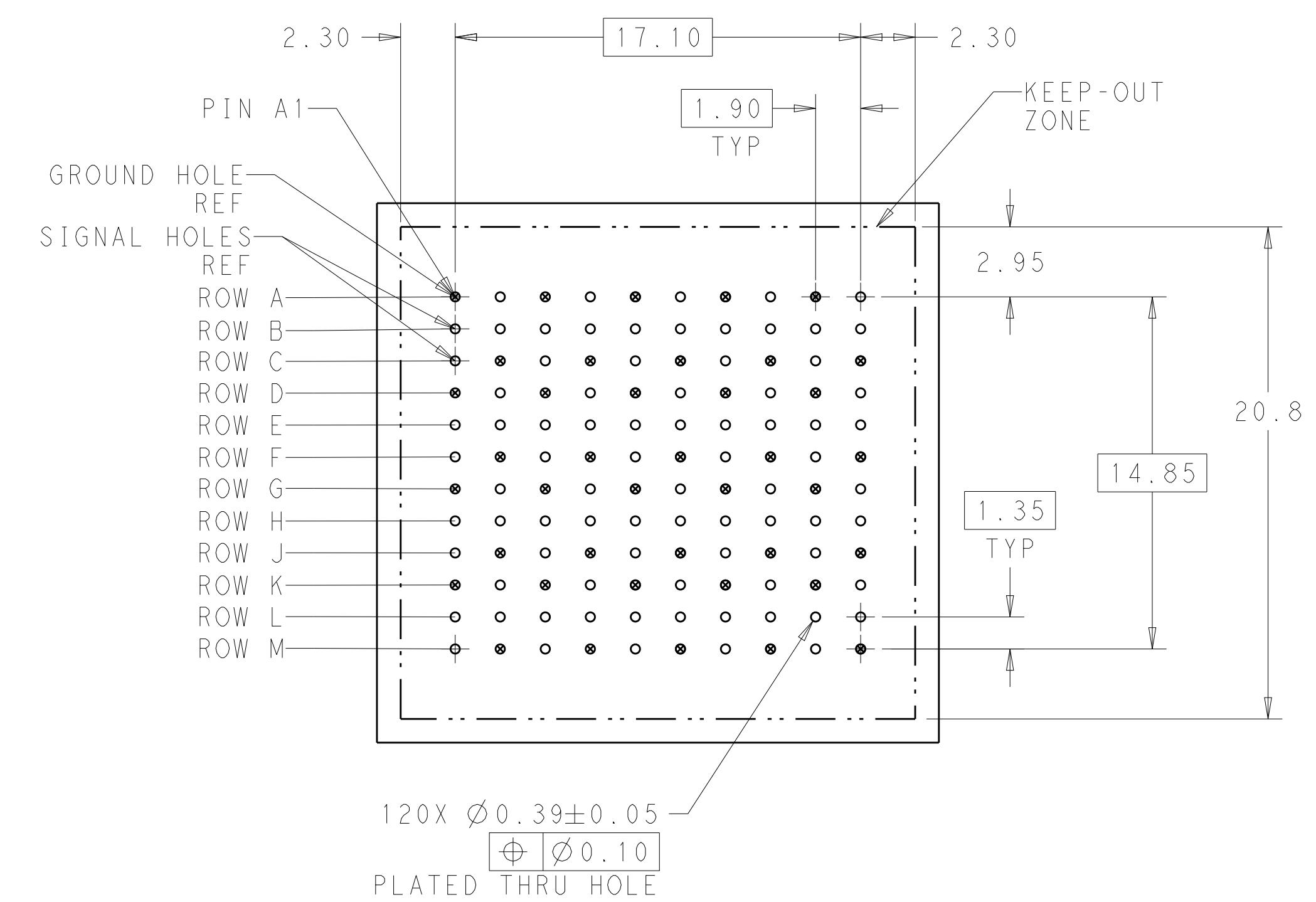


LOC		DIST		REVISIONS			
P	LTN	DESCRIPTION	DATE	DWN	APVD		
B1		REVISED PER ECO-15-001494	05FEB2015	AP	DD		

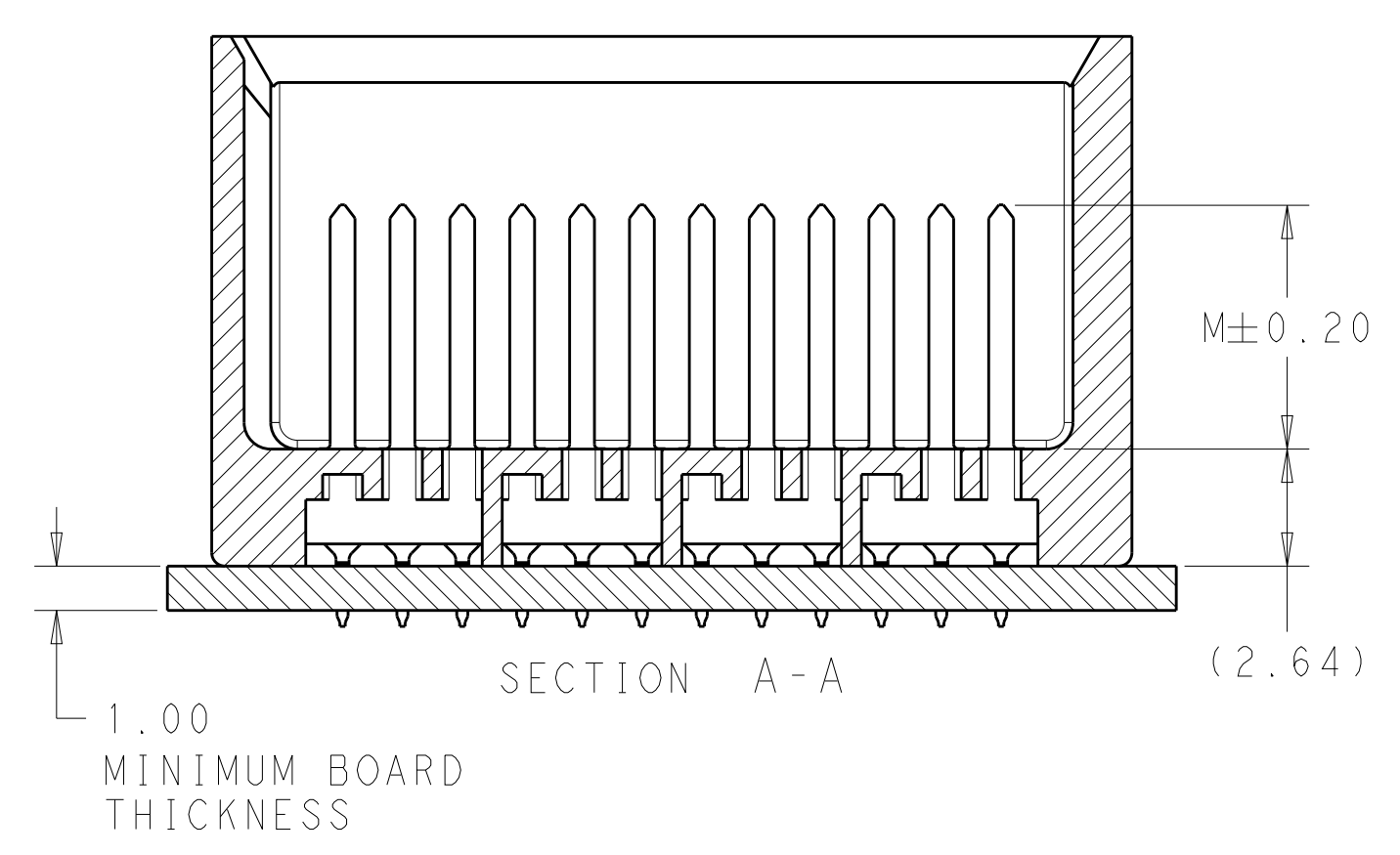
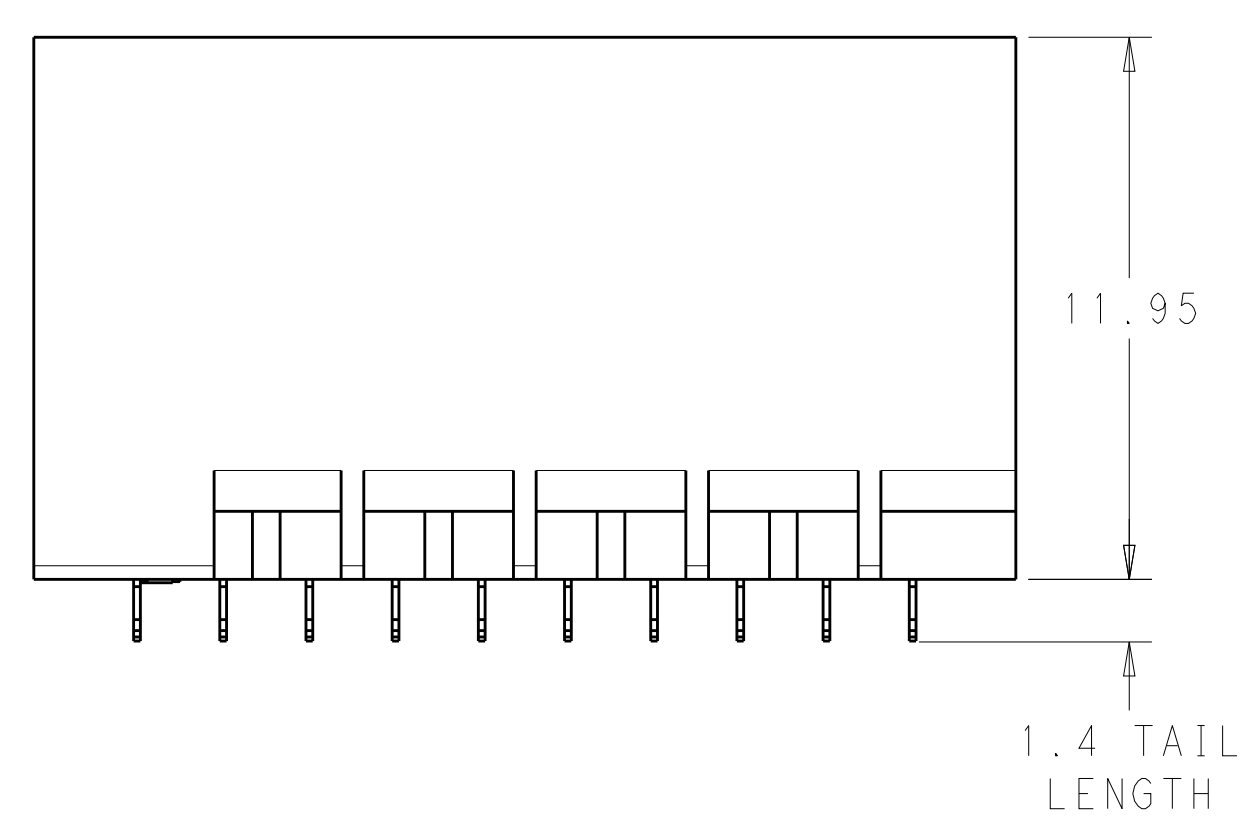


⚠ MATERIAL:
HOUSING: LCP, GLASS FILLED, UL94V-0.
TERMINALS: HIGH PERFORMANCE COPPER ALLOY.

⚠ FINISH:
30μ" MIN GOLD IN CONTACT AREA. SELECTIVE TIN ON PCB TAILS, NICKEL OVERALL.



UNGUIDED BACKPLANE HOLE PATTERN (CONNECTOR SIDE)



THIS DRAWING IS A CONTROLLED DOCUMENT.		DWN J. K. SHOBER 13JAN2011	TE Connectivity
DIMENSIONS: mm		CHK J. EARY 13JAN2011	
TOLERANCES UNLESS OTHERWISE SPECIFIED:		APVD J. EARY 13JAN2011	NAME IMPACT, 4 PAIR, 10 COLUMN, HEADER
0 PLC ±		PRODUCT SPEC	UNGUIDED, DUAL END WALL
1 PLC ±0.25		APPLICATION SPEC	SIGNAL MODULE, 0.39 PTH
2 PLC ±0.13		WEIGHT	SIZE CAGE CODE DRAWING NO RESTRICTED TO
3 PLC ±		FINISH SEE TABLE	A100779C=2007822
4 PLC ±		MATERIAL	CUSTOMER DRAWING
ANGLES ±		SCALE 6:1	SHEET 1 OF 2
FINISH SEE TABLE		REV B1	

THIS DRAWING IS UNPUBLISHED.	RELEASED FOR PUBLICATION	20
© COPYRIGHT 20	ALL RIGHTS RESERVED.	

LOC	DIST	REVISIONS					
		P	LTN	DESCRIPTION	DATE	DMN	APVD
AD	00	-	-	SEE SHEET 1	-	-	-

	5.5	2007822-3
	4.9	2007822-2
	4.5	2007822-1
FINISH	DIM M	PART NUMBER

REFER TO WWW.TE.COM
FOR PRODUCT AVAILABILITY

THIS DRAWING IS A CONTROLLED DOCUMENT.		DMN	J. K. SHOBER	13JAN2011	
		CHK	J. EARY	13JAN2011	
DIMENSIONS:		TOLERANCES UNLESS OTHERWISE SPECIFIED:		NAME	
mm	0 PLC ±	0 PLC ±0.25	0 PLC ±0.13	IMPACT, 4 PAIR, 10 COLUMN, HEADER	
	5 PLC ±	4 PLC ±	ANGLES ±	UNGUIDED, DUAL END WALL	
MATERIAL	FINISH	SEE TABLE	WEIGHT	SIGNAL MODULE, 0.39 PTH	
				SIZE	CAGE CODE DRAWING NO
				A100779	C=2007822
CUSTOMER DRAWING			SCALE	5:1	SHEET 2 OF 2
			REV	B1	