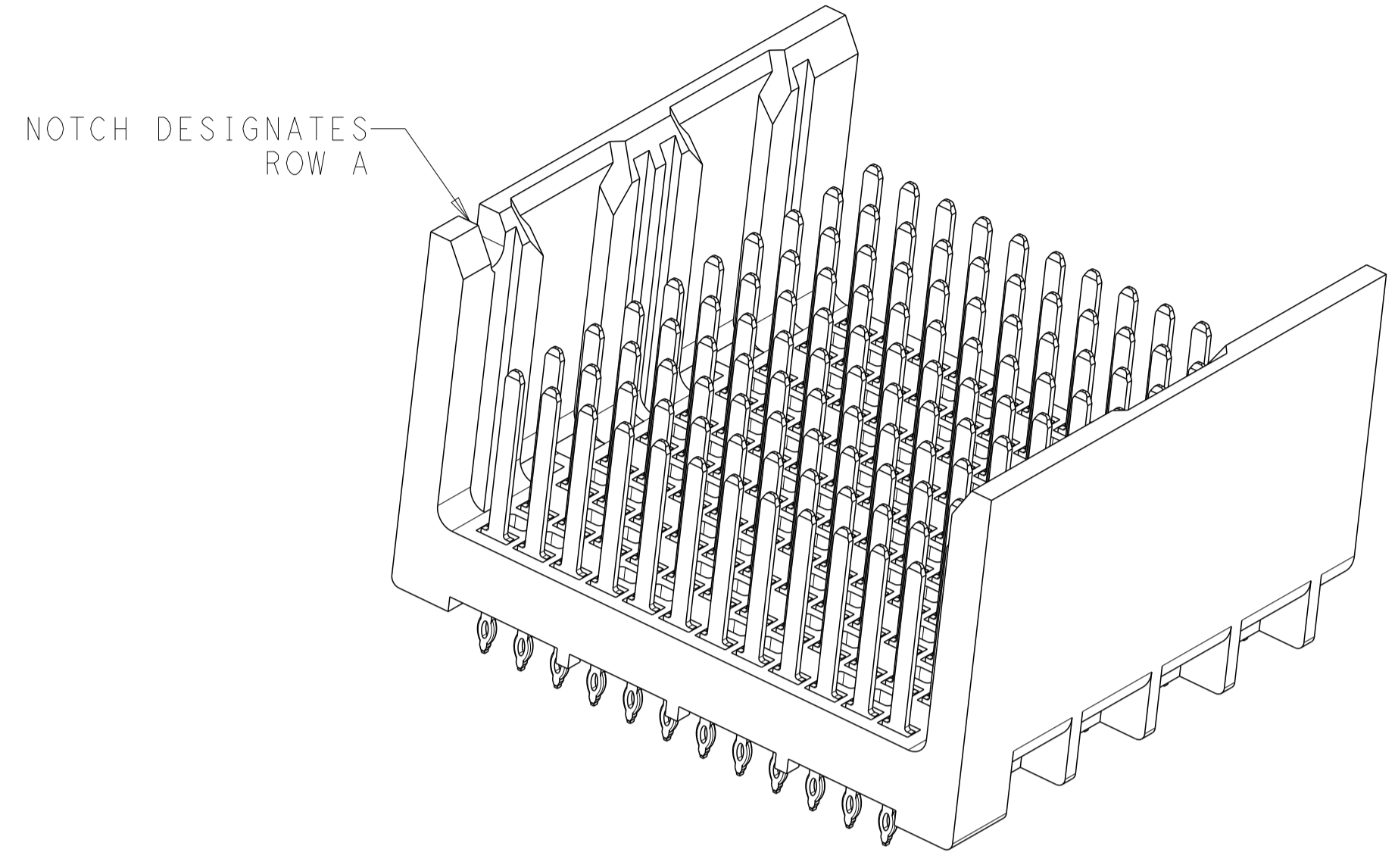
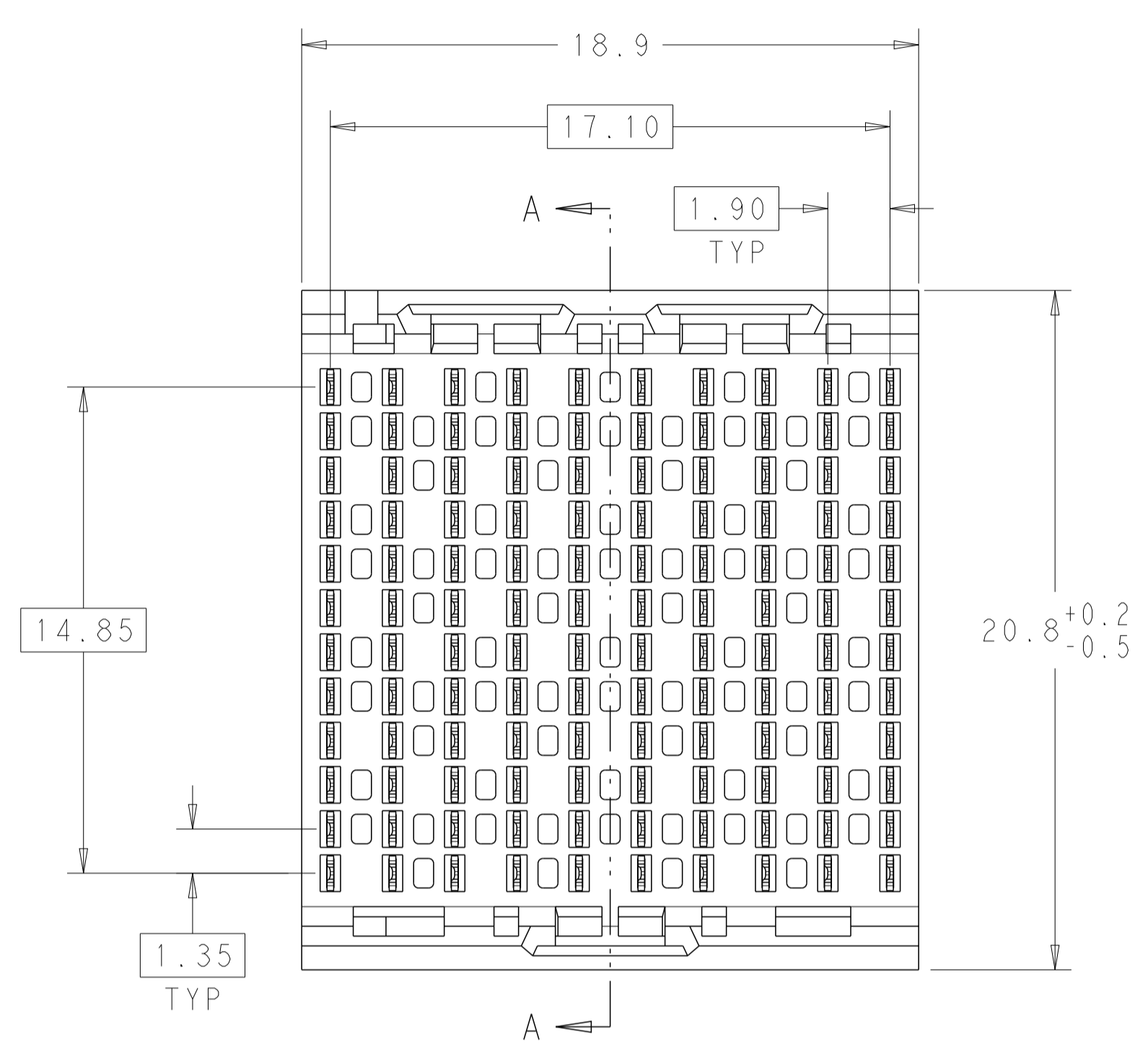
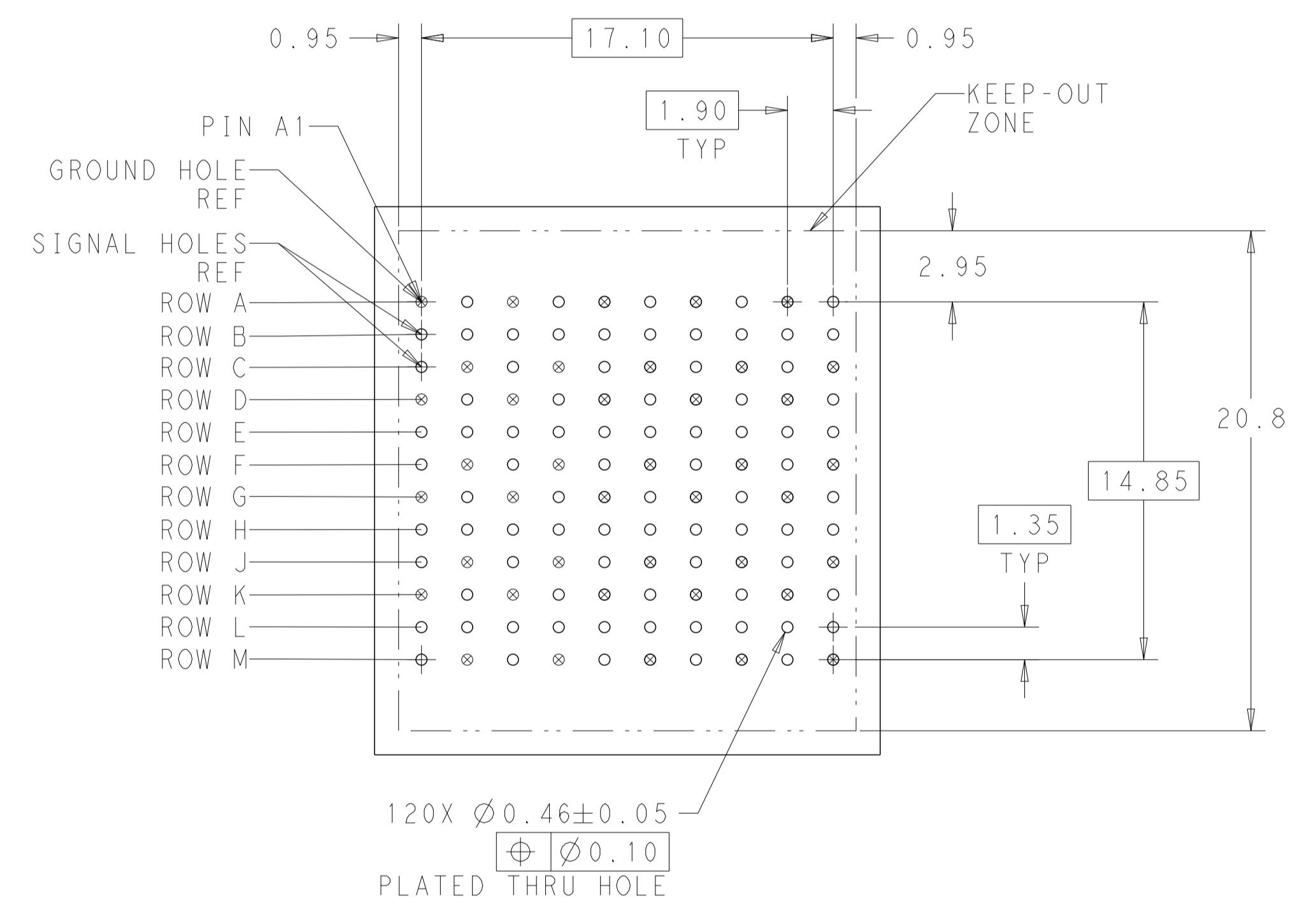


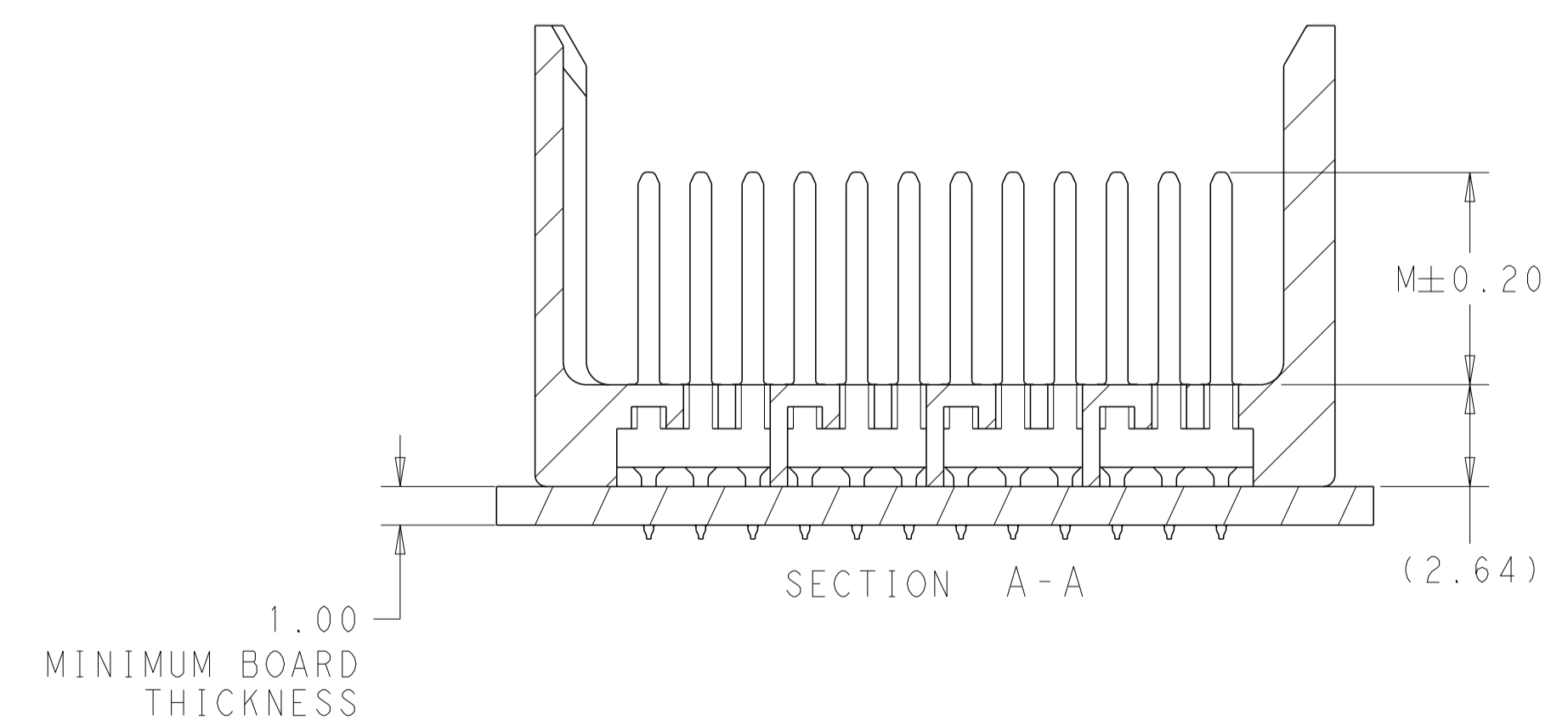
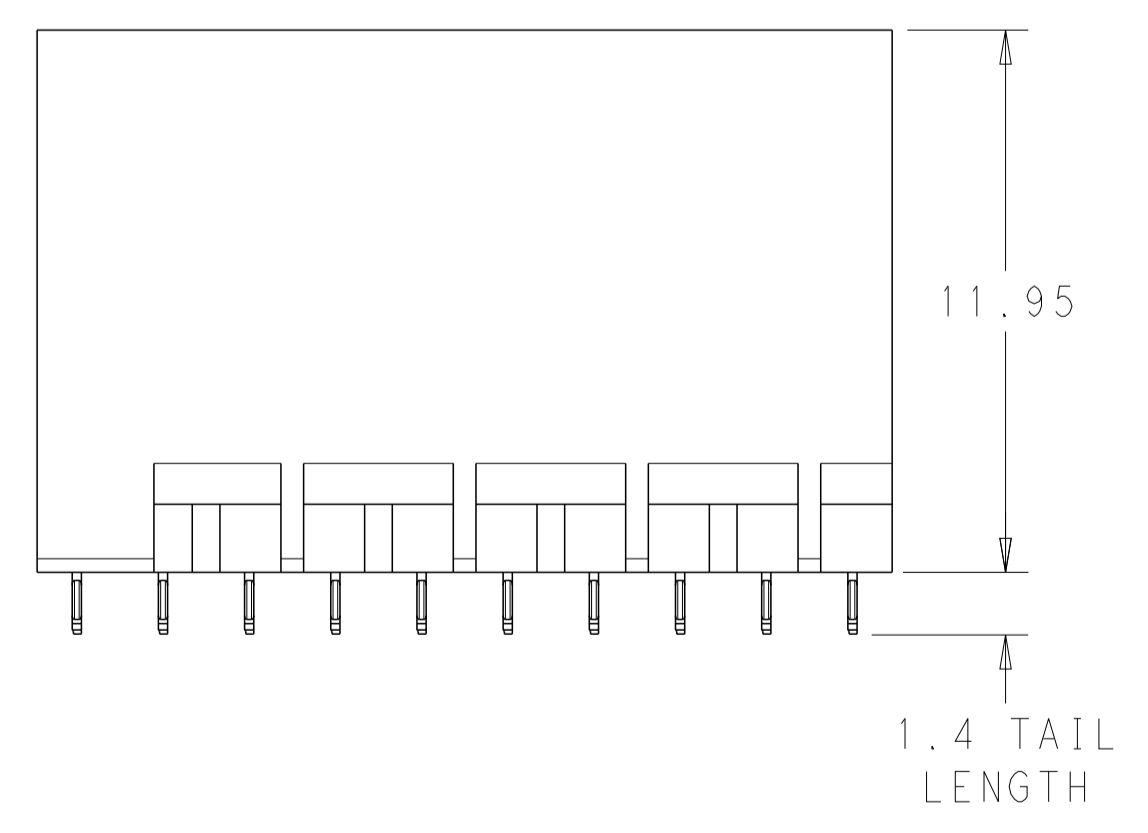
REVISIONS				
P	LTN	DESCRIPTION	DATE	APVD
A1		REVISED PER ECO-15-001494	04FEB2015	AP DD
A2		REVISED PER ECN-24-252036	01APR2024	AP RS



- 1 MATERIAL:
HOUSING: LCP, GLASS FILLED, UL94V-0.
TERMINALS: HIGH PERFORMANCE COPPER ALLOY.
- 2 FINISH:
30μ" MIN GOLD IN CONTACT AREA. SELECTIVE TIN ON PCB TAILS, NICKEL OVERALL.



UNGUIDED
BACKPLANE HOLE PATTERN
(CONNECTOR SIDE)



THIS DRAWING IS A CONTROLLED DOCUMENT.		OWN J. K. SHOBER 22DEC2010	TE Connectivity
DIMENSIONS: mm		CHK J. EARY 22DEC2010	
TOLERANCES UNLESS OTHERWISE SPECIFIED:		APVD J. EARY 22DEC2010	NAME
0 PLC ±	1 PLC ±0.25	PRODUCT SPEC	IMPACT, 4 PAIR, 10 COLUMN, HEADER
2 PLC ±0.13	3 PLC ±	APPLICATION SPEC	UNGUIDED, OPEN END WALL
4 PLC ±	ANGLES ±	RESTRICTED TO	SIGNAL MODULE, 0.46 PTH
MATERIAL	FINISH SEE TABLE	WEIGHT	SIZE CAGE CODE DRAWING NO
			A100779C=2007816
CUSTOMER DRAWING		SCALE 6:1	SHEET 1 OF 2 REV A2

THIS DRAWING IS UNPUBLISHED.	RELEASED FOR PUBLICATION	20
© COPYRIGHT 20	BY -	ALL RIGHTS RESERVED.

REVISIONS					
P	LTN	DESCRIPTION	DATE	DMN	APVD
-		SEE SHEET 1	-	-	-

	5.5	2007816-3
	4.9	2007816-2
	4.5	2007816-1
FINISH	DIM M	PART NUMBER

REFER TO WWW.TE.COM
FOR PRODUCT AVAILABILITY

THIS DRAWING IS A CONTROLLED DOCUMENT.		DMN J. K. SHOBER 22DEC2010	
		CHK J. EARY 22DEC2010	
DIMENSIONS:		APVD J. EARY 22DEC2010	NAME IMPACT, 4 PAIR, 10 COLUMN, HEADER UNGUIDED, OPEN END WALL SIGNAL MODULE, 0.46 PTH
mm		PRODUCT SPEC	
TOLERANCES UNLESS OTHERWISE SPECIFIED:		APPLICATION SPEC	SIZE A100779
0 PLC ±		WEIGHT	CAGE CODE C=2007816
1 PLC ±0.25		CUSTOMER DRAWING	RESTRICTED TO
2 PLC ±0.13		SCALE 5:1	SHEET 2 OF 2
3 PLC ±		REV A2	
4 PLC ±			
ANGLES ±			
FINISH SEE TABLE			