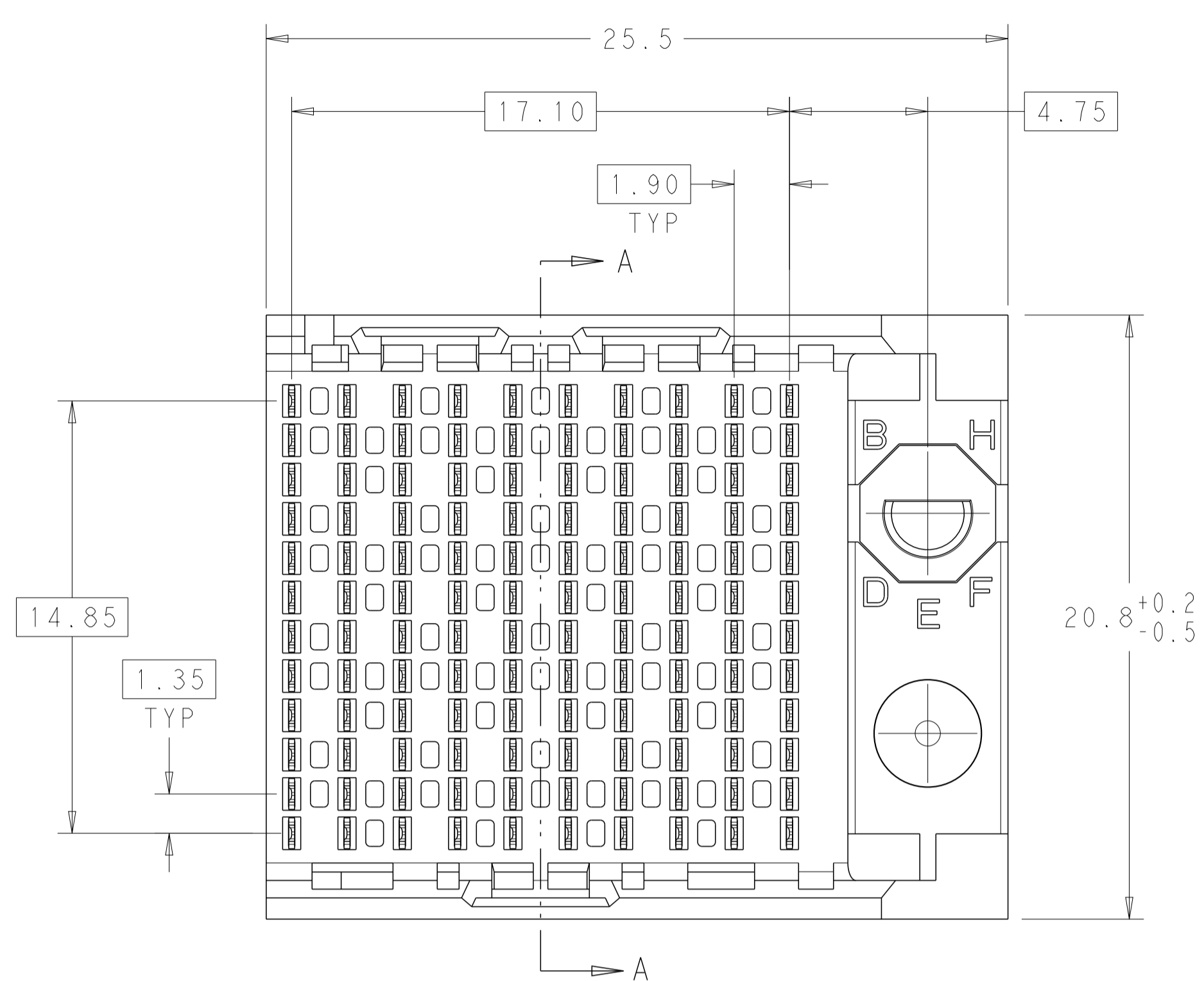
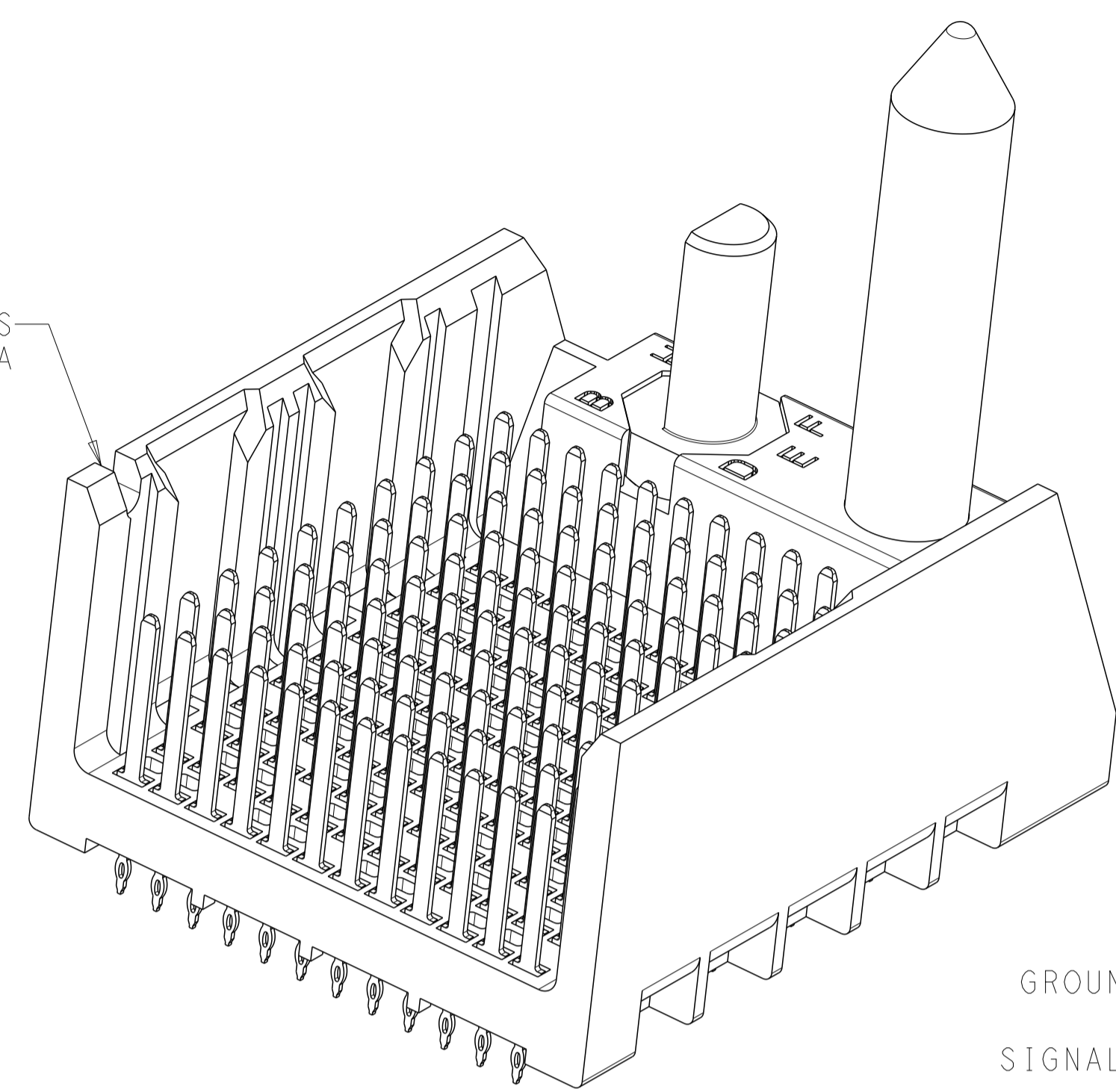


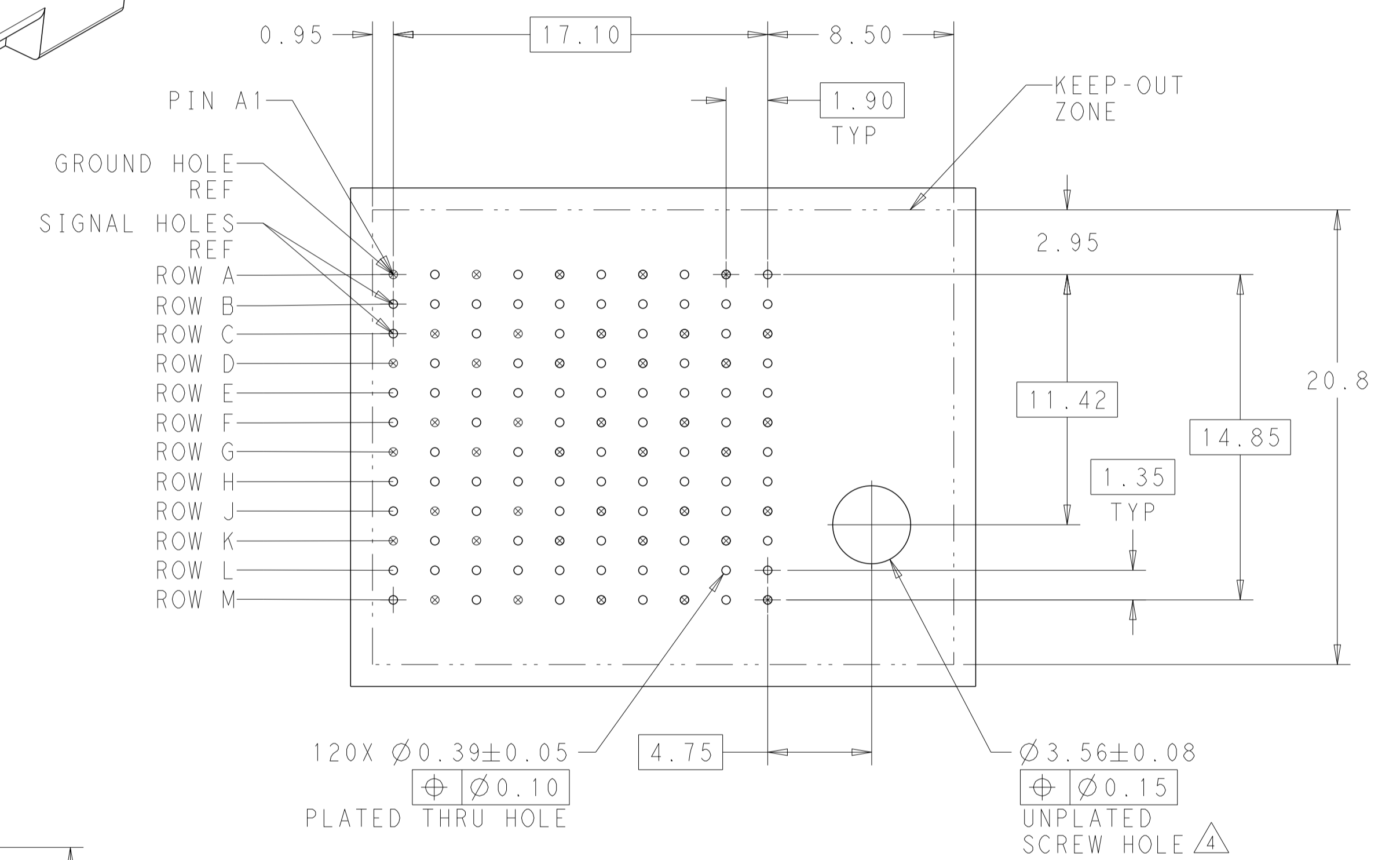
REVISIONS				
P	LTN	DESCRIPTION	DATE	APVD
B1		REVISED PER ECO-15-001494	04FEB2015	AP DD
B2		REVISED PER ECN-24-252171	01MAR2024	AP RS



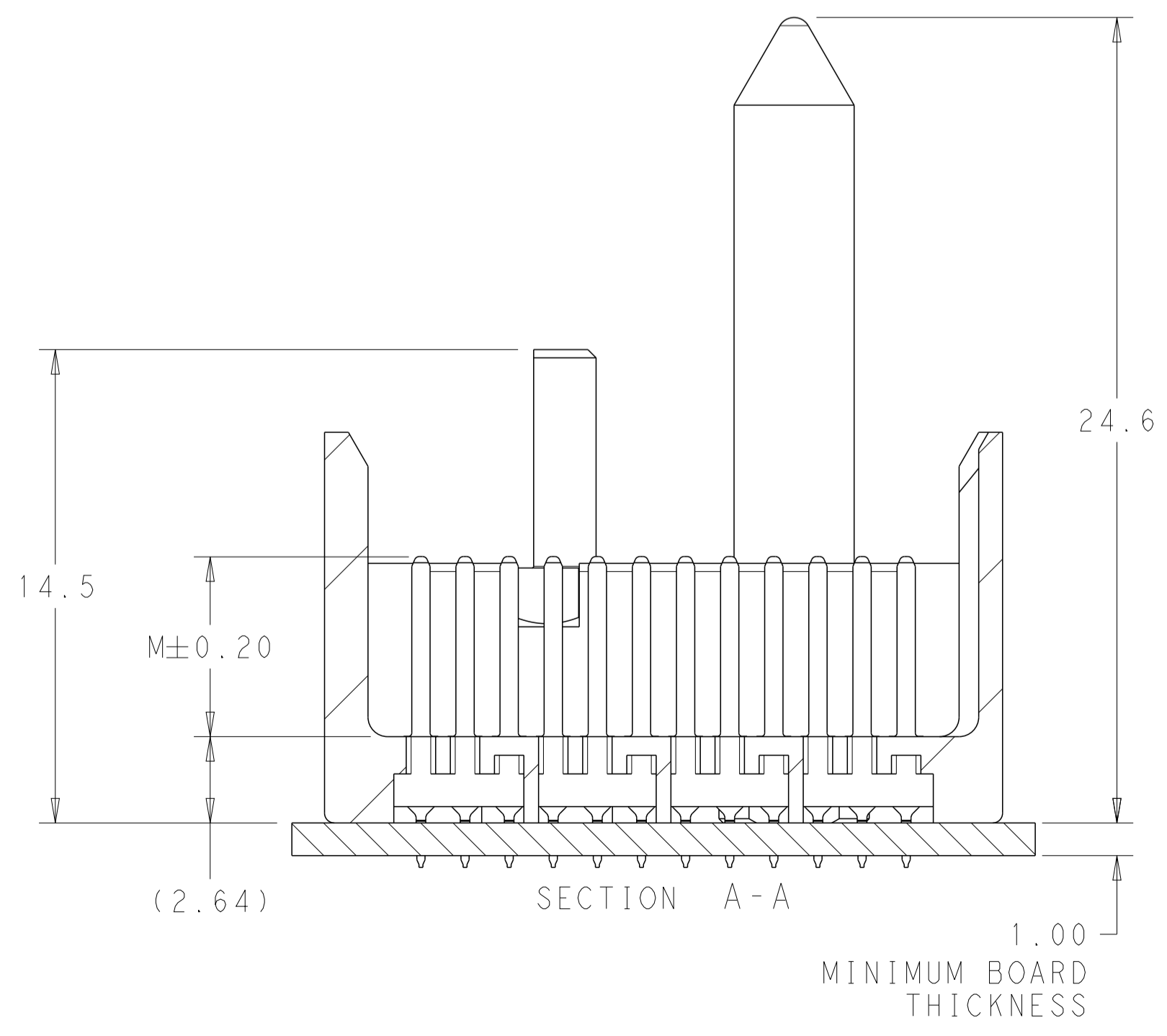
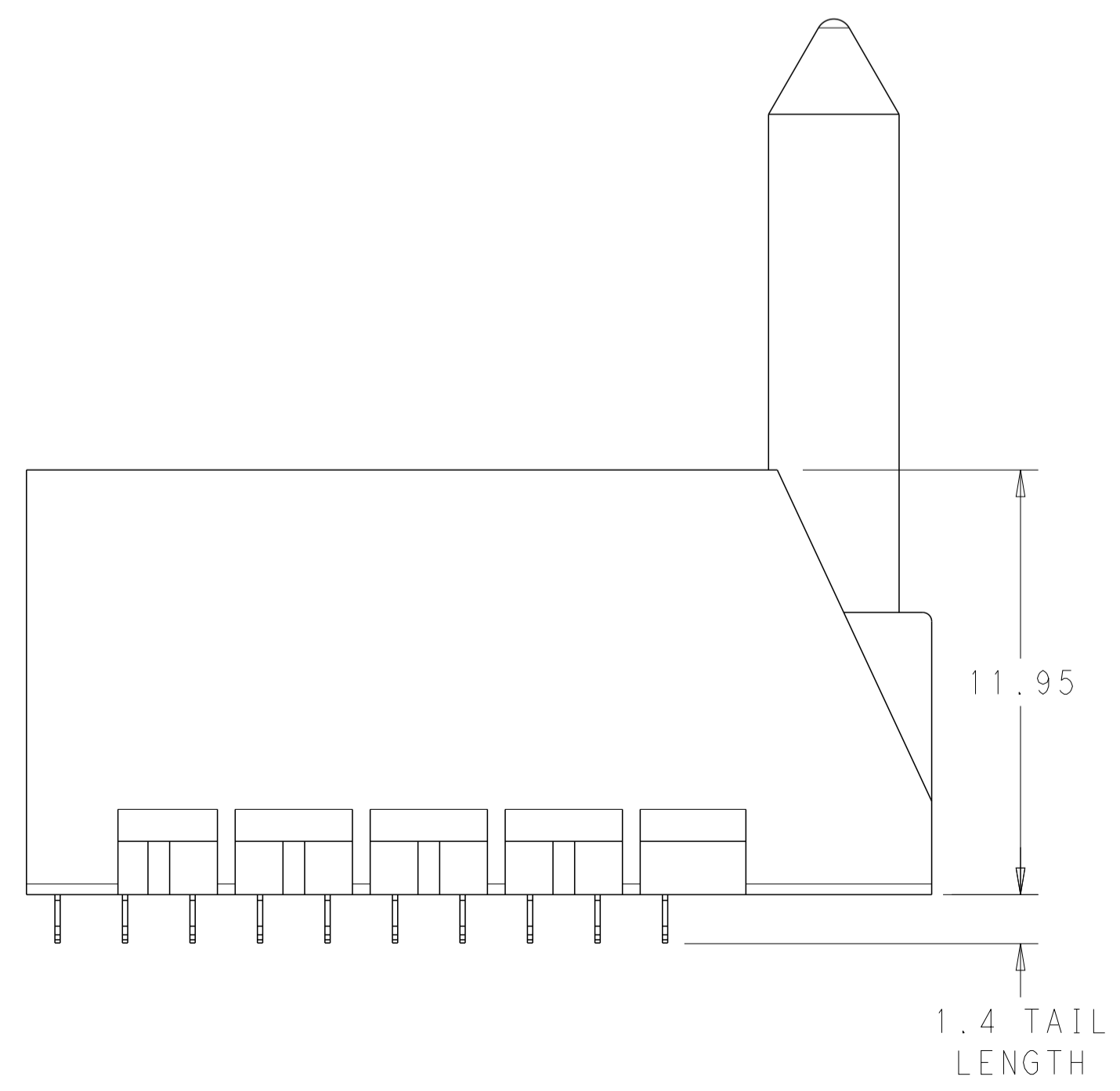
NOTCH DESIGNATES ROW A



- ⚠ MATERIAL:
HOUSING: LCP, GLASS FILLED, UL94V-0.
TERMINALS: HIGH PERFORMANCE COPPER ALLOY.
- ⚠ FINISH:
30μ" MIN GOLD IN CONTACT AREA. SELECTIVE TIN ON PCB TAILS, NICKEL OVERALL.
- 3. SCREWS PACKAGED IN END OF PACKAGING TUBE.
- ⚠ FOR GROUNDED GUIDE PIN USE $\varnothing 3.56 \pm 0.08$ PTH, $\varnothing 3.66$ DRILL, AND $\varnothing 6.5$ PAD.
- 5. KEYING PIN SHOWN IN POSITION A, SEE KEYING CHART ON SHEET 2 FOR OTHER POSITIONS.

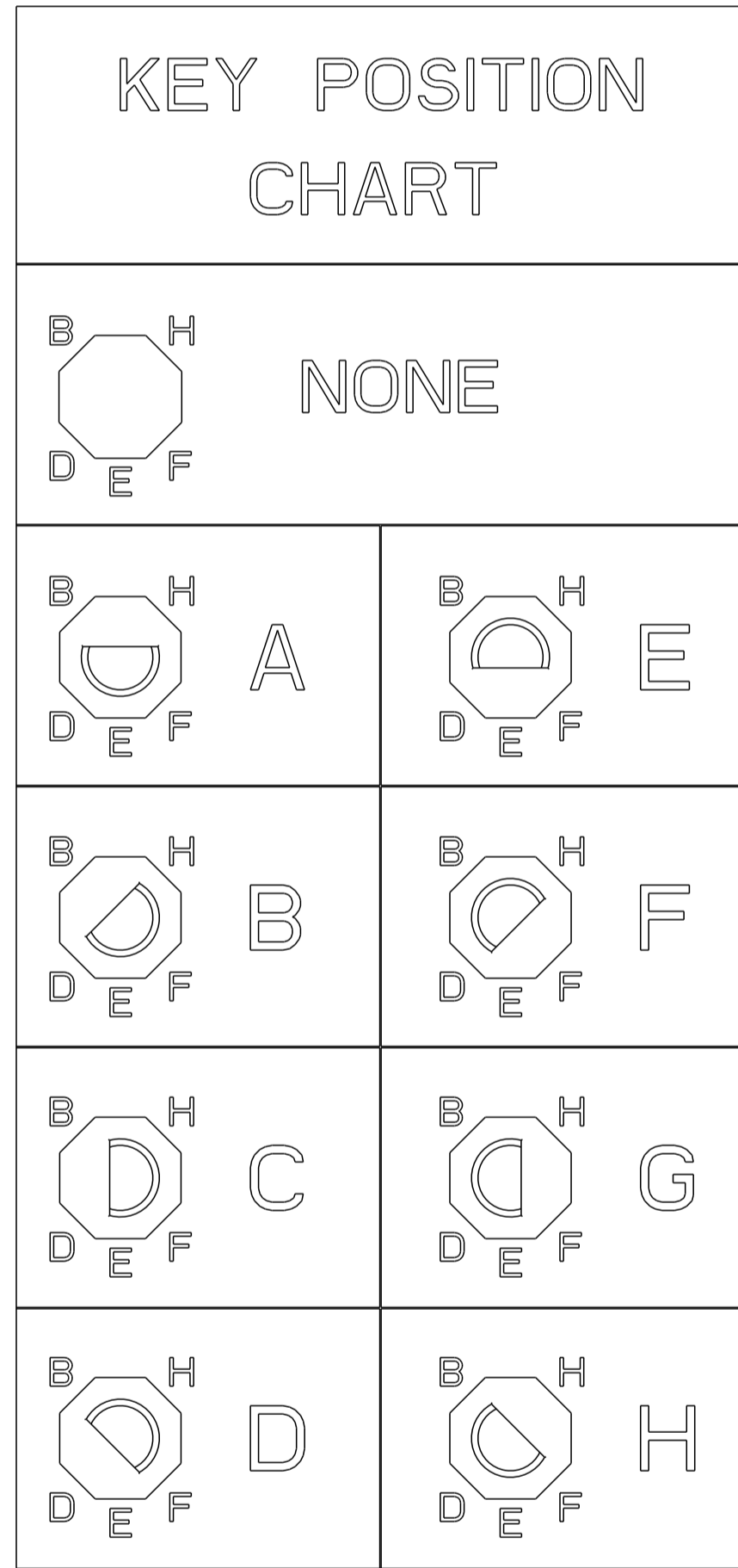


RIGHT GUIDED BACKPLANE HOLE PATTERN (CONNECTOR SIDE)



THIS DRAWING IS A CONTROLLED DOCUMENT.		OWN J. K. SHOBER 26DECT11	TE Connectivity
DIMENSIONS: mm		CHK J. EARY 26DECT11	
TOLERANCES UNLESS OTHERWISE SPECIFIED:		APVD J. EARY 26DECT11	NAME: IMPACT, 4 PAIR, 10 COLUMN, HEADER RIGHT GUIDED, OPEN END WALL SIGNAL MODULE, 0.39 PTH
0 PLC ±0.25		PRODUCT SPEC	
1 PLC ±0.13		APPLICATION SPEC	SIZE: A100779C=2007813 SCALE: 6:1 SHEET 1 OF 2 REV B2
2 PLC ±0.10		RESTRICTED TO	
3 PLC ±0.075		WEIGHT	CUSTOMER DRAWING
4 PLC ±0.05		SCALE	
ANGLES ±0.5°		DATE	
FINISH SEE TABLE		REV	

REVISIONS				
P	LTN	DESCRIPTION	DATE	OWN APVD
-		SEE SHEET 1	-	-



	H	5.5	8-2007813-3	OBSOLETE
	H	4.9	8-2007813-2	
	H	4.5	8-2007813-1	
	G	5.5	7-2007813-3	
	G	4.9	7-2007813-2	
	G	4.5	7-2007813-1	
	F	5.5	6-2007813-3	
	F	4.9	6-2007813-2	
	F	4.5	6-2007813-1	
	E	5.5	5-2007813-3	
	E	4.9	5-2007813-2	
	E	4.5	5-2007813-1	
	D	5.5	4-2007813-3	
	D	4.9	4-2007813-2	
	D	4.5	4-2007813-1	
	C	5.5	3-2007813-3	
	C	4.9	3-2007813-2	
	C	4.5	3-2007813-1	
	B	5.5	2-2007813-3	
	B	4.9	2-2007813-2	
	B	4.5	2-2007813-1	
	A	5.5	1-2007813-3	
	A	4.9	1-2007813-2	
	A	4.5	1-2007813-1	
	-	5.5	2007813-3	
	-	4.9	2007813-2	
	-	4.5	2007813-1	
FINISH	KEY POSITION	DIM M	PART NUMBER	

REFER TO WWW.TE.COM
FOR PRODUCT AVAILABILITY

THIS DRAWING IS A CONTROLLED DOCUMENT.		DWN J. K. SHOBER 26DECT1 CHG J. EARY 26DECT1 APVD J. EARY 26DECT1		NAME IMPACT, 4 PAIR, 10 COLUMN, HEADER RIGHT GUIDED, OPEN END WALL SIGNAL MODULE, 0.39 PTH
DIMENSIONS: mm 	TOLERANCES UNLESS OTHERWISE SPECIFIED: 0 PLC ±0.25 2 PLC ±0.13 3 PLC ± 4 PLC ± ANGLES ± FINISH ±	PRODUCT SPEC APPLICATION SPEC WEIGHT CUSTOMER DRAWING		