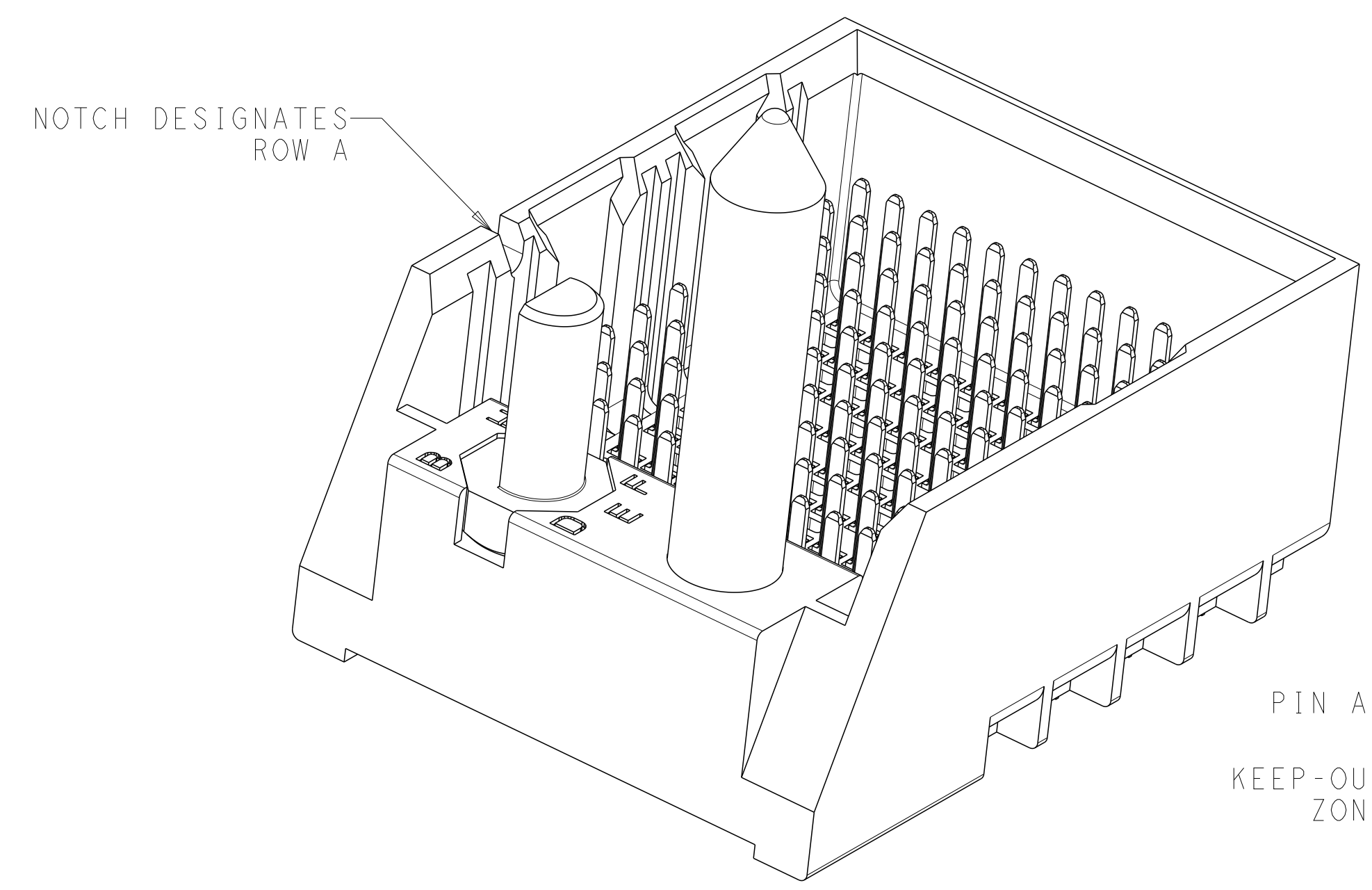
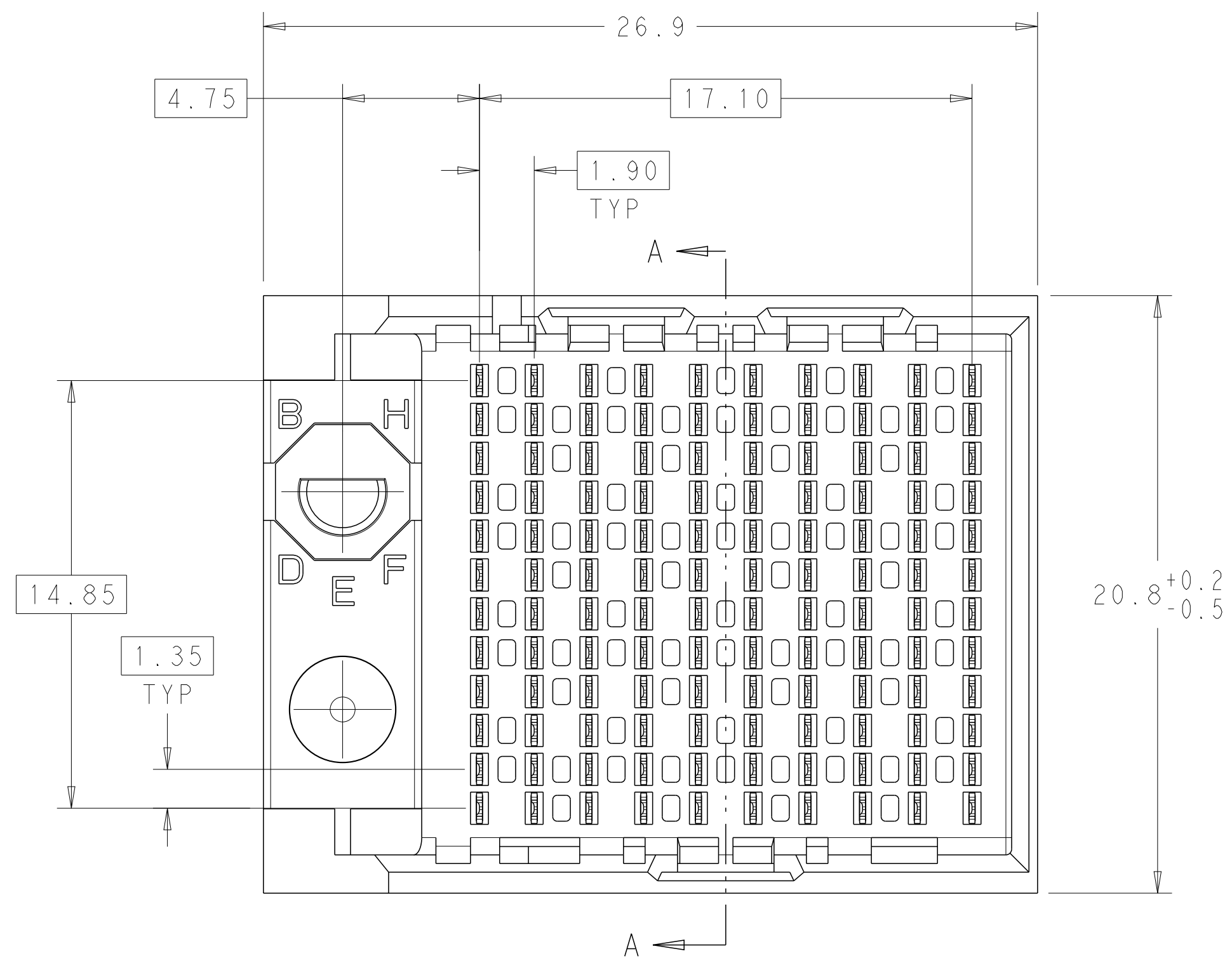
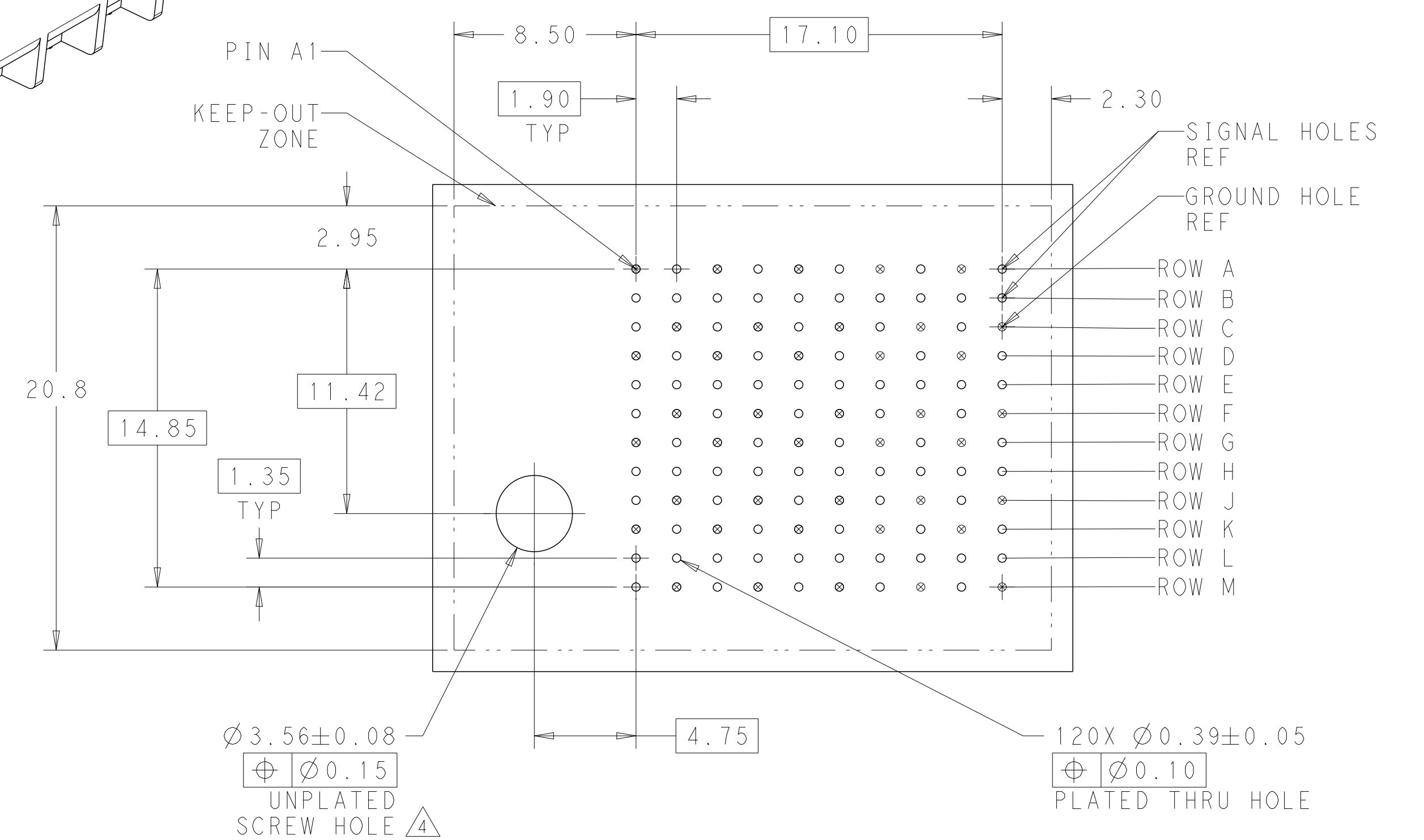


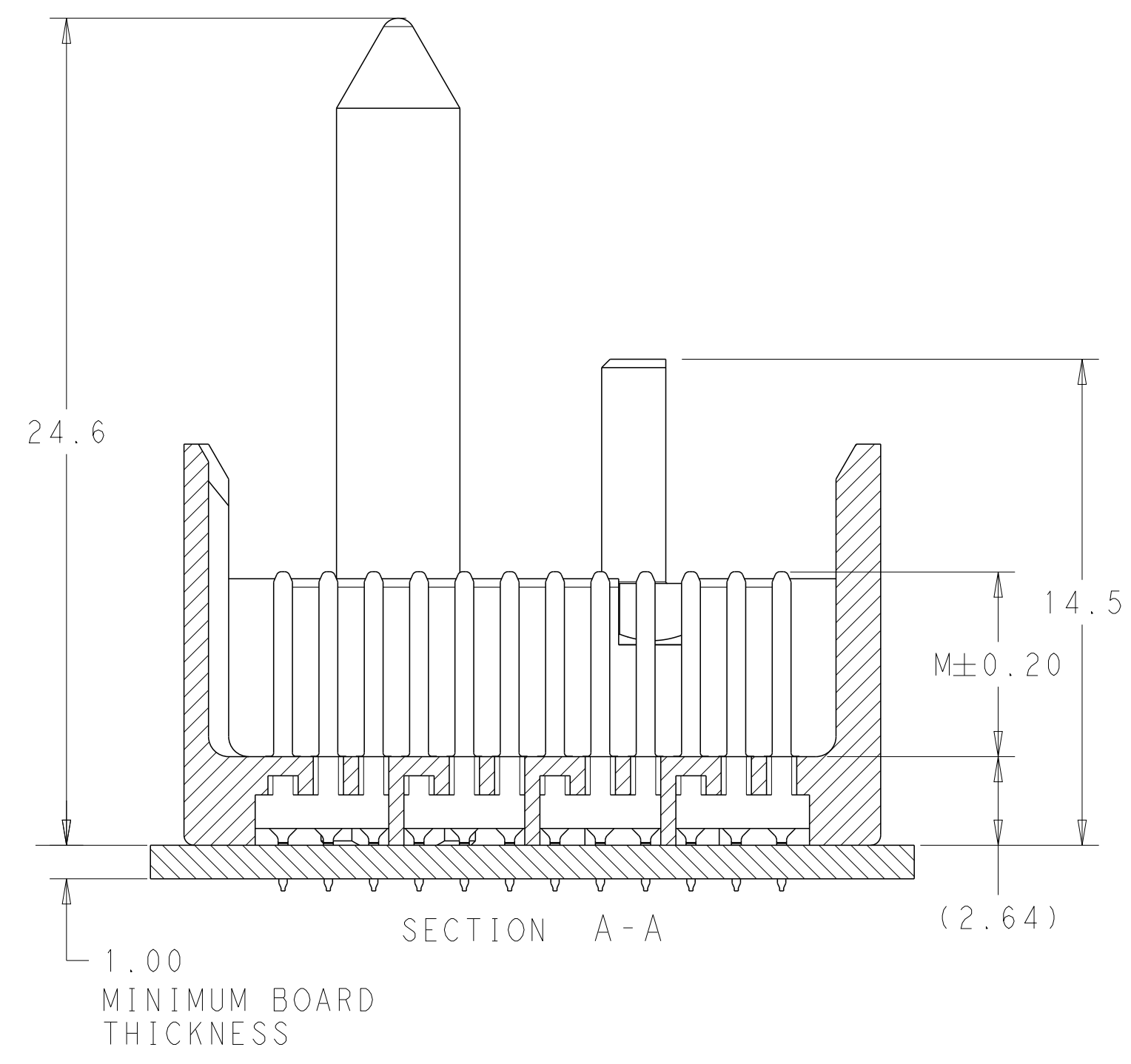
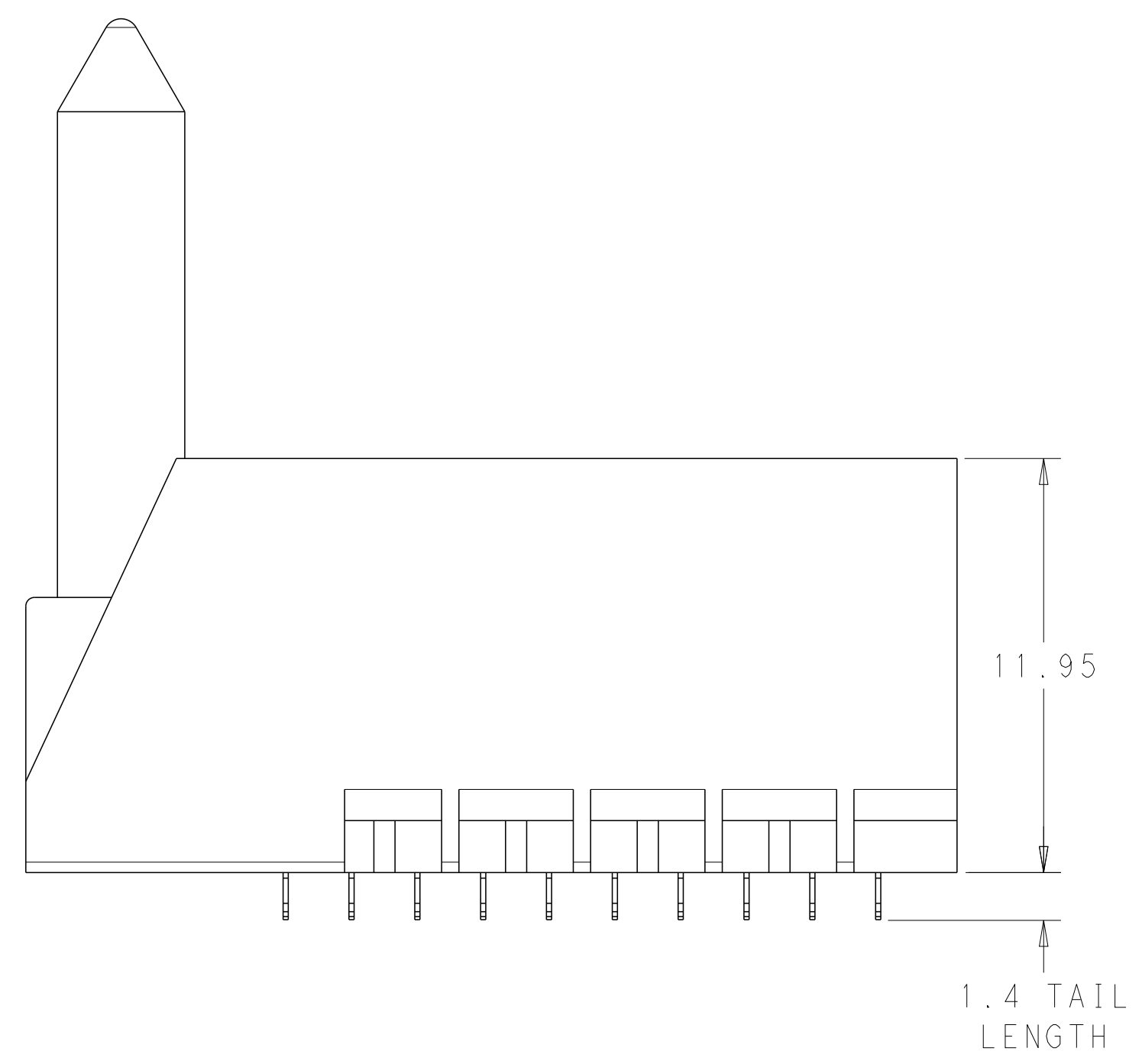
LOC		DIST		REVISIONS			
AD	00	P	LTN	DESCRIPTION	DATE	DMN	APVD
		B1		REVISED PER ECO-15-001494	04FEB2015	AP	DD
		B2		REVISED PER ECN-24-252171	22FEB2024	AP	RS



- ⚠ MATERIAL:
HOUSING: LCP, GLASS FILLED, UL94V-0.
TERMINALS: HIGH PERFORMANCE COPPER ALLOY.
- ⚠ FINISH:
30μ" MIN GOLD IN CONTACT AREA. SELECTIVE TIN ON PCB TAILS, NICKEL OVERALL.
- 3. SCREWS PACKAGED IN END OF PACKAGING TUBE.
- ⚠ FOR GROUNDED GUIDE PIN USE Ø3.56±0.08 PTH, Ø3.66 DRILL, AND Ø6.5 PAD
- 5. KEYING PIN SHOWN IN POSITION A, SEE KEYING CHART ON SHEET 2 FOR OTHER POSITIONS.



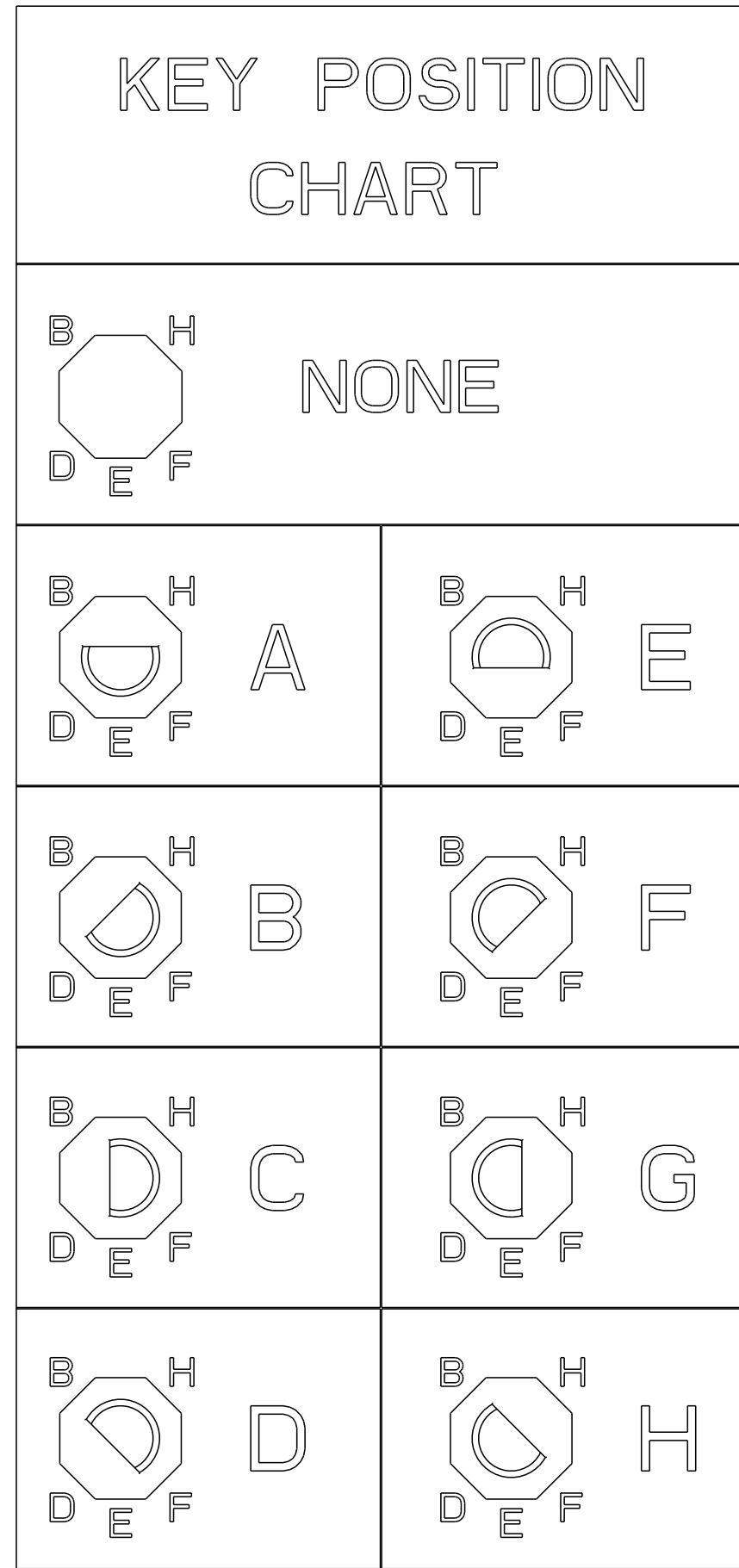
LEFT GUIDED BACKPLANE HOLE PATTERN (CONNECTOR SIDE)



THIS DRAWING IS A CONTROLLED DOCUMENT.		DMN J.K.SHOBER 27DECT11	TE Connectivity NAME IMPACT, 4 PAIR, 10 COLUMN, HEADER LEFT GUIDED, RIGHT END WALL SIGNAL MODULE, 0.39 PTH SIZE CAGE CODE DRAWING NO RESTRICTED TO A100779C=2007811 CUSTOMER DRAWING SCALE 6:1 SHEET 1 OF 2 REV B2
DIMENSIONS:		CHK J. EARY 27DECT11	
mm		APVD J. EARY 27DECT11	
0 PLC ± 1 PLC ±0.25 2 PLC ±0.13 3 PLC ± 4 PLC ± ANGLES ± FINISH SEE TABLE		PRODUCT SPEC APPLICATION SPEC	

THIS DRAWING IS UNPUBLISHED. RELEASED FOR PUBLICATION 20
 © COPYRIGHT 20 . ALL RIGHTS RESERVED.

LOC	DIST	REVISIONS					
		P	LTN	DESCRIPTION	DATE	DMN	APVD
AD	00	-	-	SEE SHEET 1	-	-	-



	H	5.5	8-2007811-3	OBSOLETE
	H	4.9	8-2007811-2	
	H	4.5	8-2007811-1	
	G	5.5	7-2007811-3	
	G	4.9	7-2007811-2	
	G	4.5	7-2007811-1	
	F	5.5	6-2007811-3	
	F	4.9	6-2007811-2	
	F	4.5	6-2007811-1	
	E	5.5	5-2007811-3	
	E	4.9	5-2007811-2	
	E	4.5	5-2007811-1	
	D	5.5	4-2007811-3	
	D	4.9	4-2007811-2	
	D	4.5	4-2007811-1	
	C	5.5	3-2007811-3	
	C	4.9	3-2007811-2	
	C	4.5	3-2007811-1	
	B	5.5	2-2007811-3	
	B	4.9	2-2007811-2	
	B	4.5	2-2007811-1	
	A	5.5	1-2007811-3	
	A	4.9	1-2007811-2	
	A	4.5	1-2007811-1	
	-	5.5	2007811-3	
	-	4.9	2007811-2	
	-	4.5	2007811-1	
FINISH	KEY POSITION	DIM M	PART NUMBER	

REFER TO WWW.TE.COM
FOR PRODUCT AVAILABILITY

THIS DRAWING IS A CONTROLLED DOCUMENT.		DMN J.K.SHOBER 27DECT1	TE Connectivity
DIMENSIONS: mm		CHK J. EARY 27DECT1	
TOLERANCES UNLESS OTHERWISE SPECIFIED:		APVD J. EARY 27DECT1	NAME IMPACT, 4 PAIR, 10 COLUMN, HEADER LEFT GUIDED, RIGHT END WALL SIGNAL MODULE, 0.39 PTH
0 PLC ±.25		PRODUCT SPEC	
1 PLC ±0.13		APPLICATION SPEC	SIZE CAGE CODE DRAWING NO RESTRICTED TO
2 PLC ±.10		WEIGHT	A100779C=2007811
3 PLC ±.08		CUSTOMER DRAWING	SCALE 5:1 SHEET 2 OF 2 REV B2
4 PLC ±.07			
ANGLES FINISH SEE TABLE			