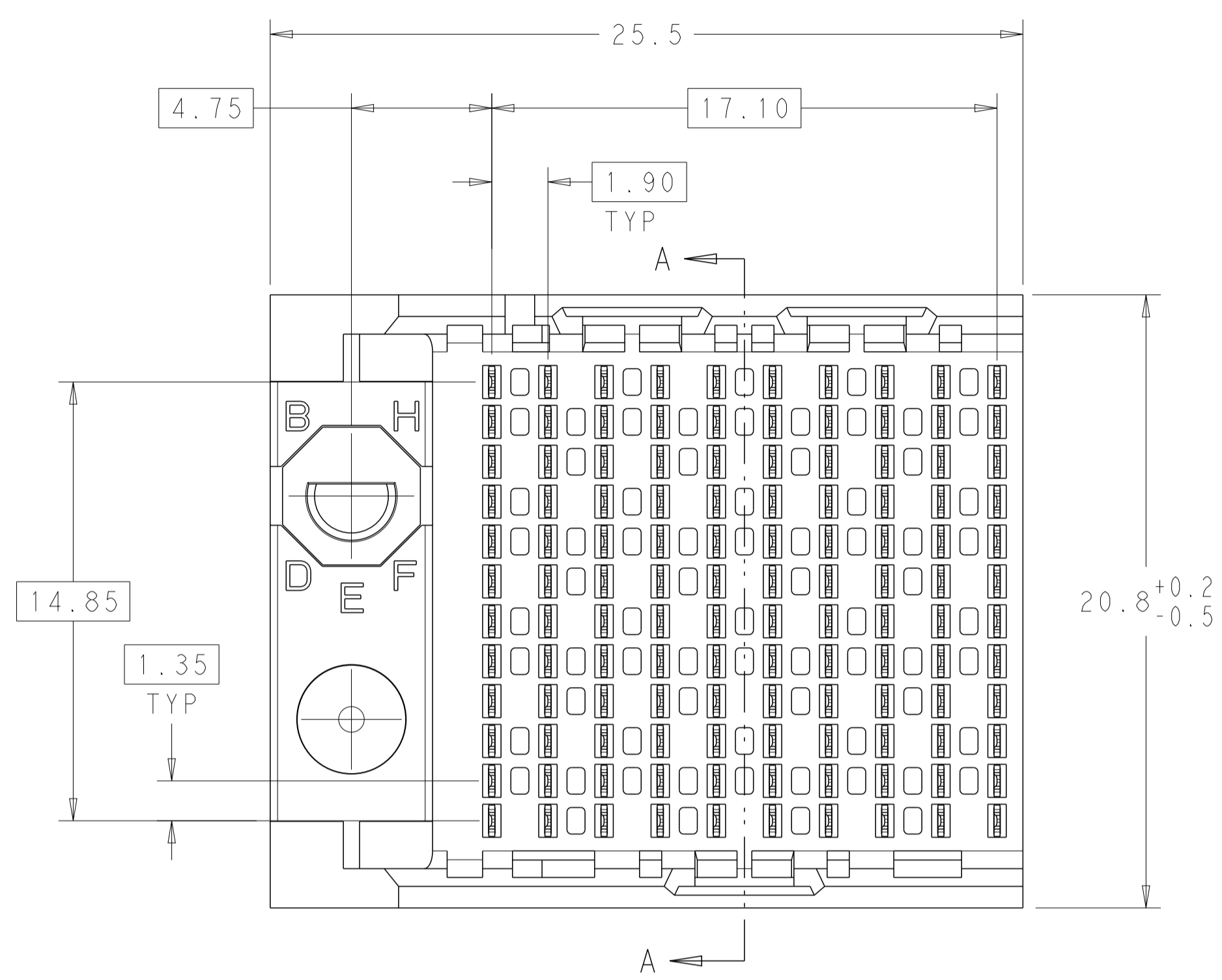
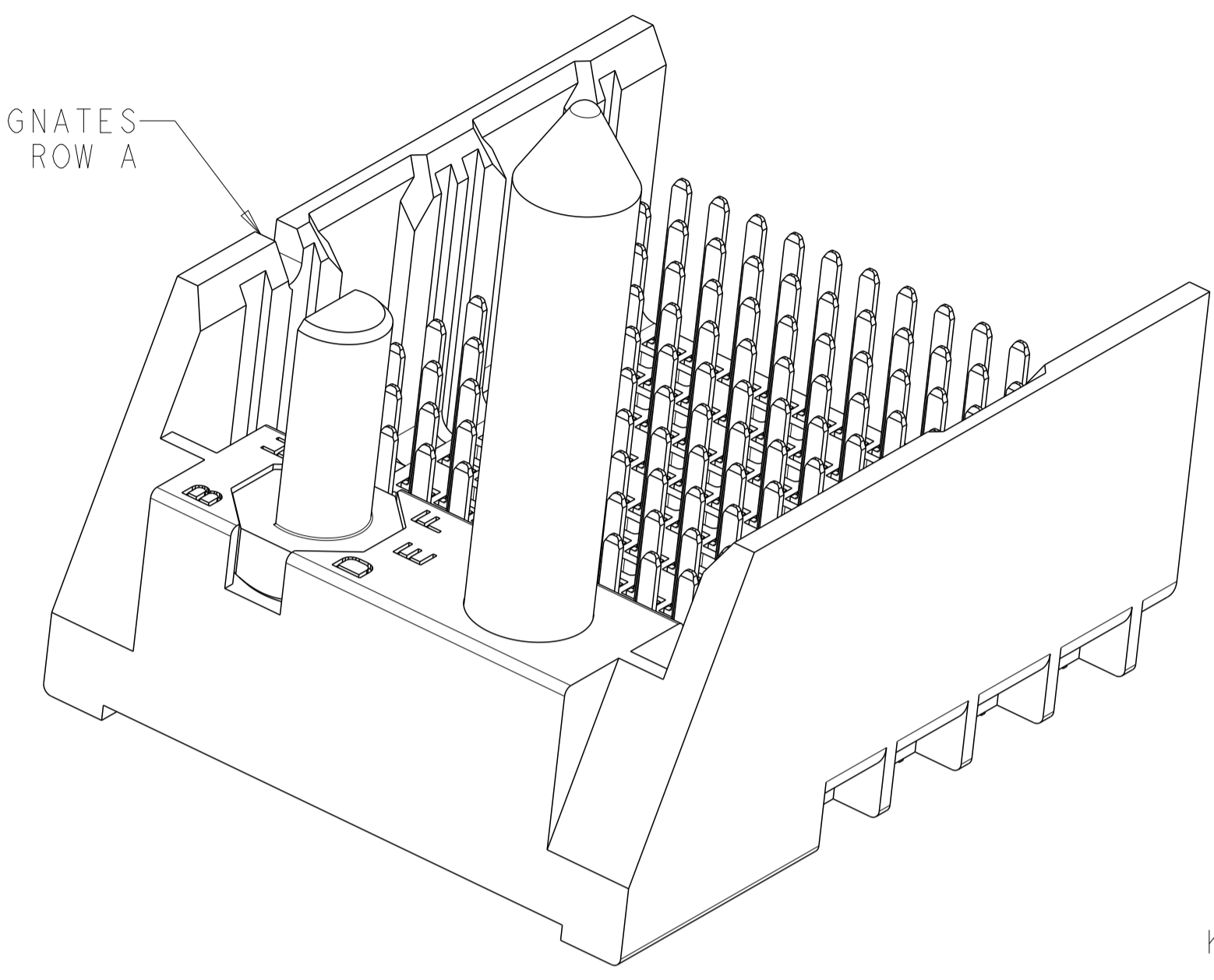


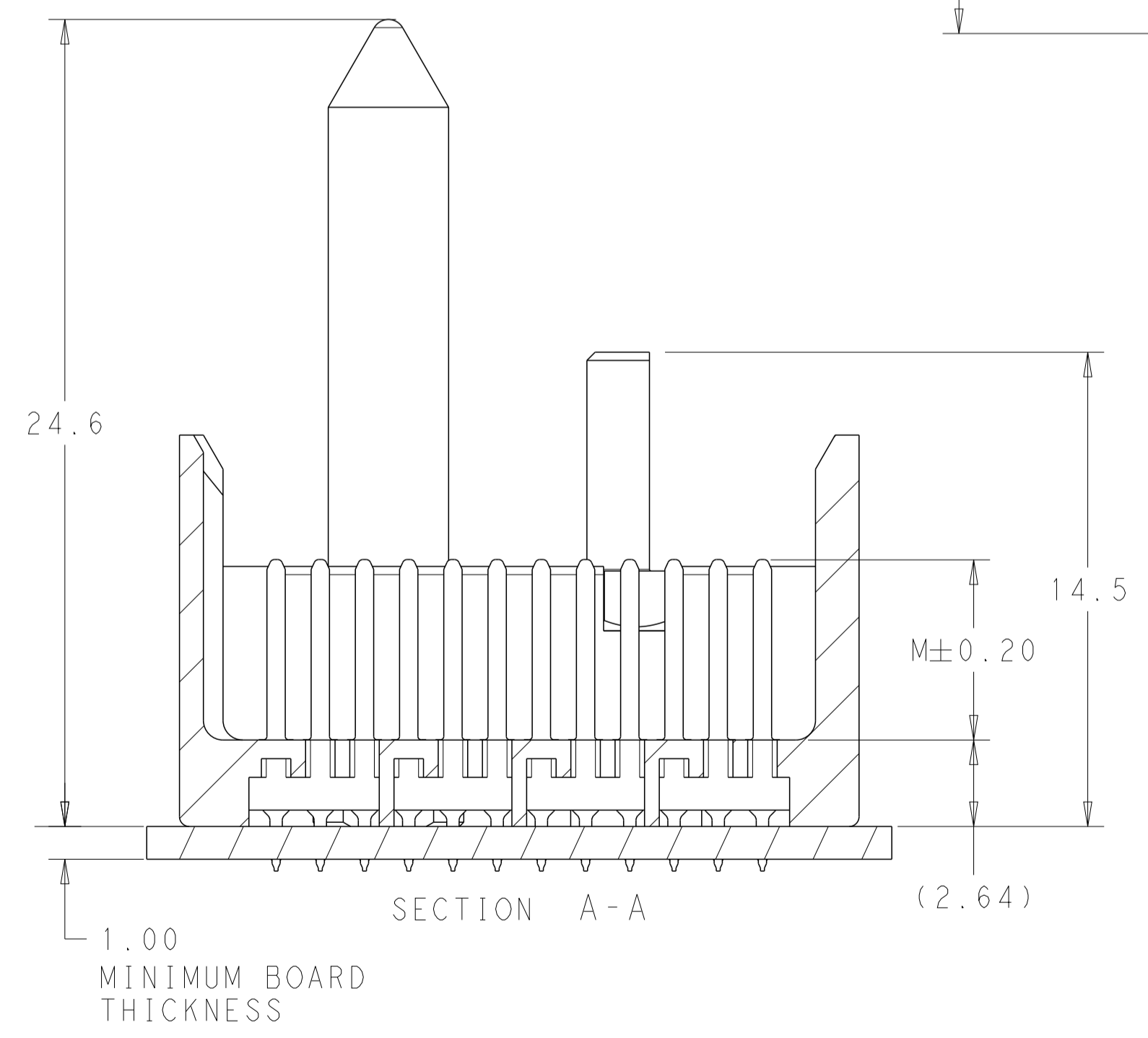
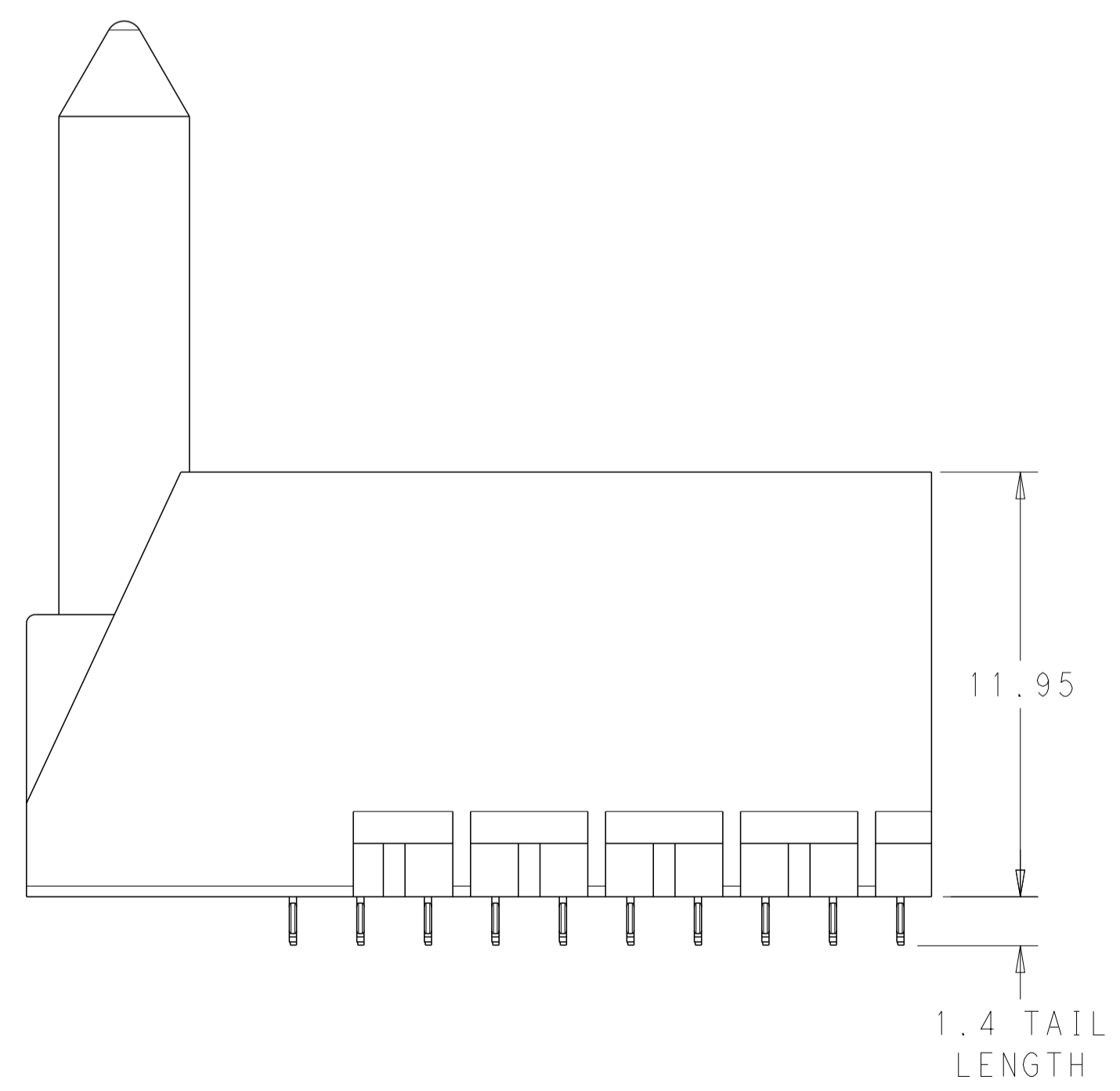
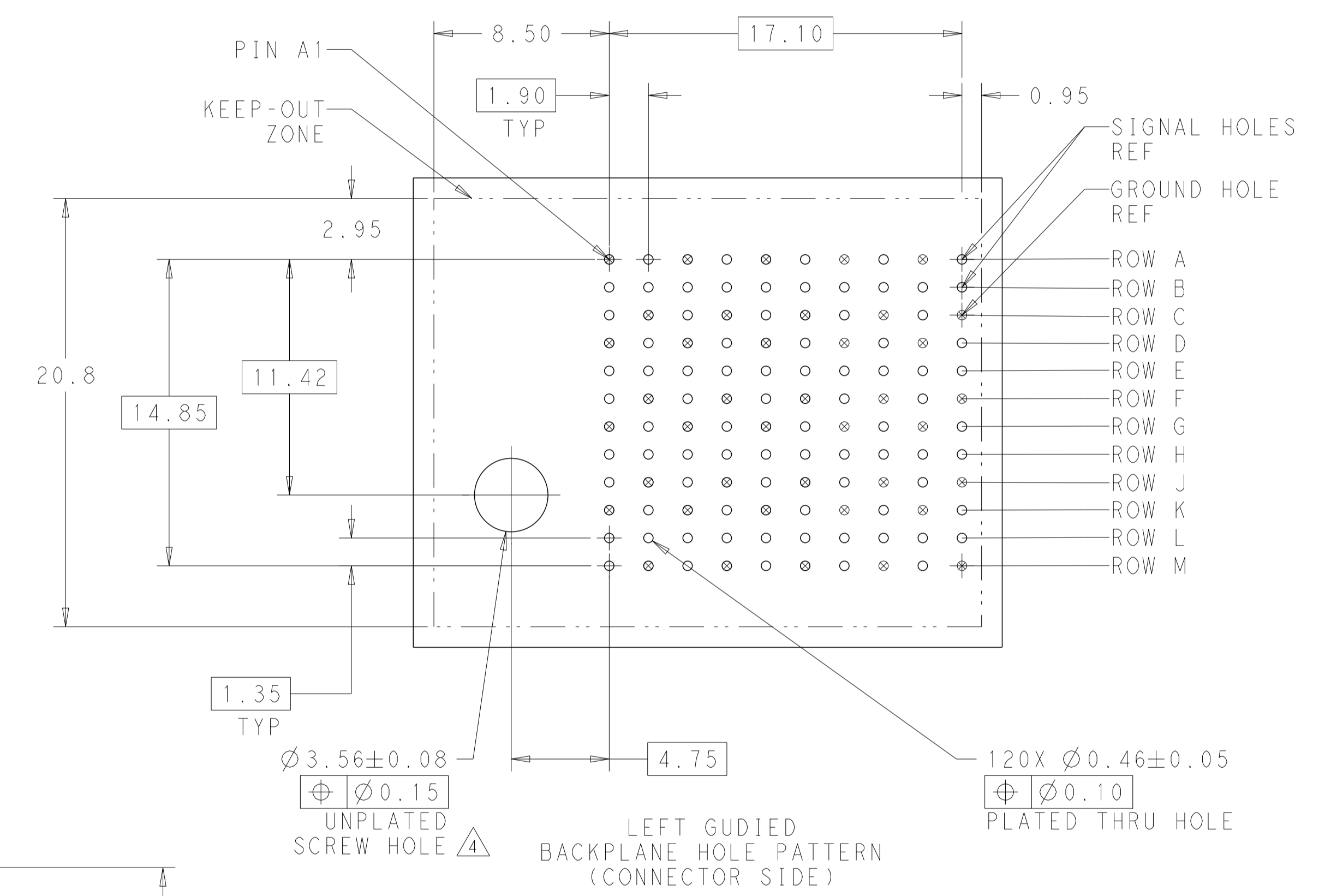
REVISIONS				
P.	LTN	DESCRIPTION	DATE	APV
A1		REVISED PER ECO-15-001494	03FEB2015	AP DD
A2		REVISED PER ECN-24-252171	20FEB2024	AP RS



NOTCH DESIGNATES ROW A



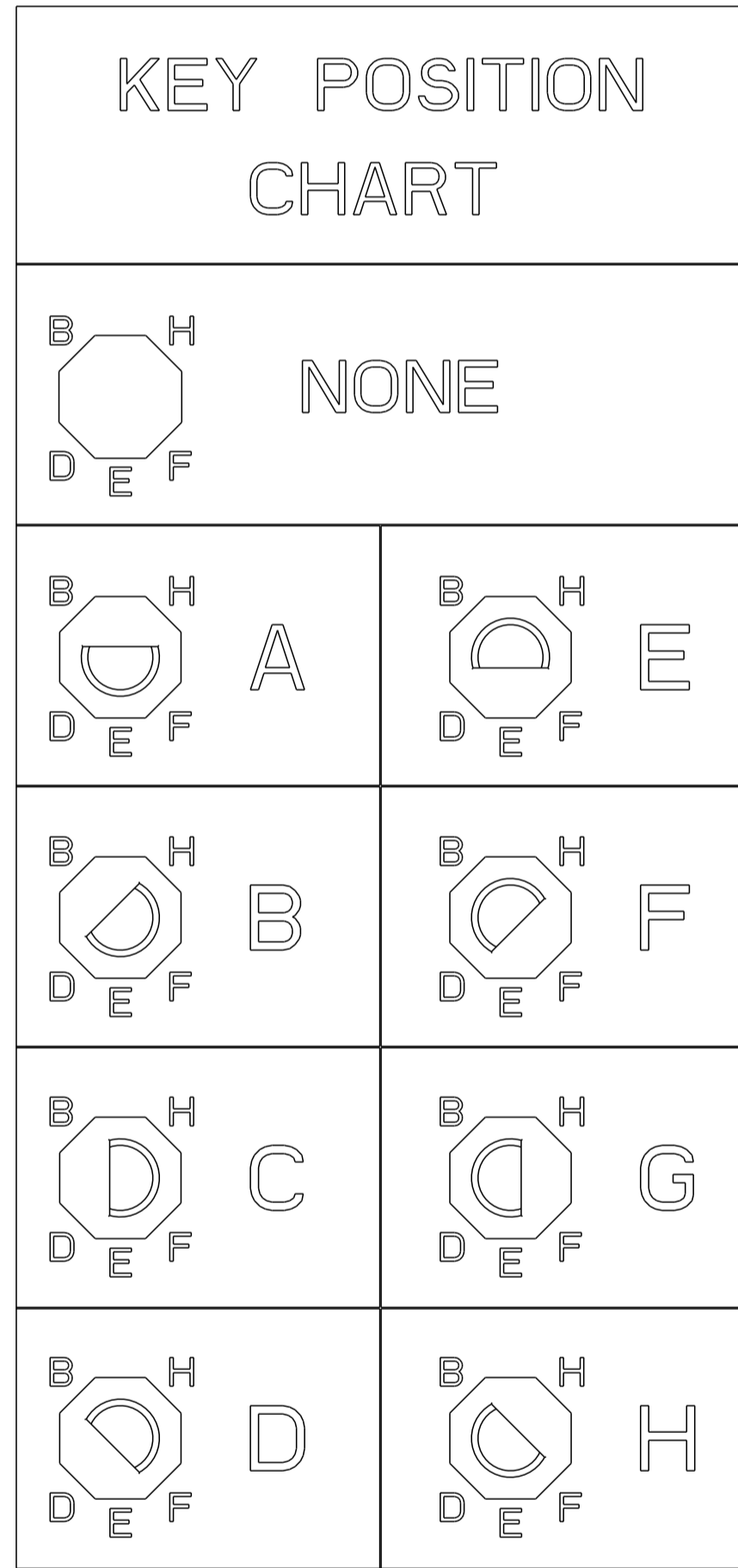
- 1 MATERIAL:  
HOUSING: LCP, GLASS FILLED, UL94V-0.  
TERMINALS: HIGH PERFORMANCE COPPER ALLOY.
- 2 FINISH:  
30μ" MIN GOLD IN CONTACT AREA. SELECTIVE TIN ON PCB TAILS, NICKEL OVERALL.
- 3. SCREWS PACKAGED IN END OF PACKAGING TUBE.
- 4 FOR GROUNDED GUIDE PIN USE  $\varnothing 3.56 \pm 0.08$  PTH,  $\varnothing 3.66$  DRILL, AND  $\varnothing 6.5$  PAD.
- 5. KEYING PIN SHOWN IN POSITION A, SEE KEYING CHART ON SHEET 2 FOR OTHER POSITIONS.



THIS DRAWING IS A CONTROLLED DOCUMENT.		OWN J. K. SHOBER 22DEC2010	TE Connectivity
DIMENSIONS: mm		CHK J. EARY 22DEC2010	
TOLERANCES UNLESS OTHERWISE SPECIFIED:		APV J. EARY 22DEC2010	NAME: IMPACT, 4 PAIR, 10 COLUMN, HEADER PRODUCT SPEC: LEFT GUIDED, OPEN END WALL APPLICATION SPEC: SIGNAL MODULE, 0.46 PTH
0 PLC ± 1 PLC ±0.25 2 PLC ±0.13 3 PLC ± 4 PLC ± ANGLES ±		SIZE: A1 CAGE CODE: 00779 DRAWING NO: C=2007808	
MATERIAL: SEE TABLE		WEIGHT: -	RESTRICTED TO: -
FINISH: SEE TABLE		CUSTOMER DRAWING	SCALE: 6:1 SHEET 1 OF 2 REV: A2

THIS DRAWING IS UNPUBLISHED. RELEASED FOR PUBLICATION 20  
 © COPYRIGHT 20 BY - ALL RIGHTS RESERVED.

REVISIONS				
P	LTN	DESCRIPTION	DATE	OWN APVD
-		SEE SHEET 1	-	-



OBSOLETE		H	5.5	8-2007808-3
		H	4.9	8-2007808-2
		H	4.5	8-2007808-1
		G	5.5	7-2007808-3
		G	4.9	7-2007808-2
		G	4.5	7-2007808-1
		F	5.5	6-2007808-3
		F	4.9	6-2007808-2
		F	4.5	6-2007808-1
		E	5.5	5-2007808-3
		E	4.9	5-2007808-2
		E	4.5	5-2007808-1
		D	5.5	4-2007808-3
		D	4.9	4-2007808-2
		D	4.5	4-2007808-1
		C	5.5	3-2007808-3
		C	4.9	3-2007808-2
		C	4.5	3-2007808-1
	B	5.5	2-2007808-3	
	B	4.9	2-2007808-2	
	B	4.5	2-2007808-1	
	A	5.5	1-2007808-3	
	A	4.9	1-2007808-2	
	A	4.5	1-2007808-1	
	-	5.5	2007808-3	
	-	4.9	2007808-2	
	-	4.5	2007808-1	
OBSOLETE				
	FINISH	KEY POSITION	DIM M	PART NUMBER

REFER TO WWW.TE.COM  
FOR PRODUCT AVAILABILITY

THIS DRAWING IS A CONTROLLED DOCUMENT.		OWN J. K. SHOBER 22DEC2010	TE Connectivity
DIMENSIONS: mm		CHK J. EARY 22DEC2010	
TOLERANCES UNLESS OTHERWISE SPECIFIED:		APVD J. EARY 22DEC2010	NAME IMPACT, 4 PAIR, 10 COLUMN, HEADER LEFT GUIDED, OPEN END WALL SIGNAL MODULE, 0.46 PTH
0 PLC ±.25		PRODUCT SPEC	
1 PLC ±0.13		APPLICATION SPEC	SIZE CAGE CODE DRAWING NO RESTRICTED TO
2 PLC ±.10		WEIGHT	A100779C=2007808
3 PLC ±.08		CUSTOMER DRAWING	SCALE 5:1 SHEET 2 OF 2 REV A2
4 PLC ±.05			
ANGLES FINISH			
MATERIAL SEE TABLE			