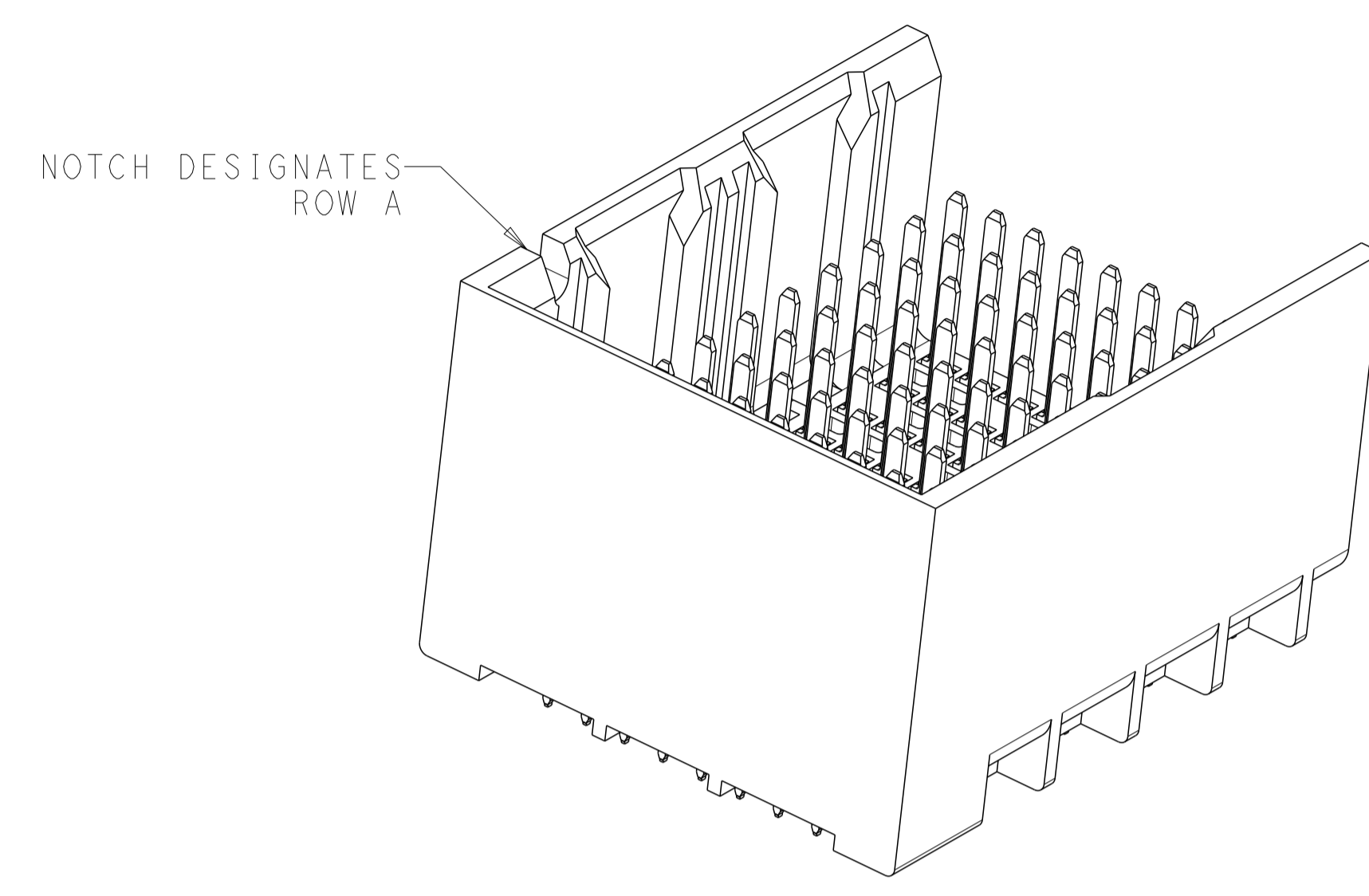
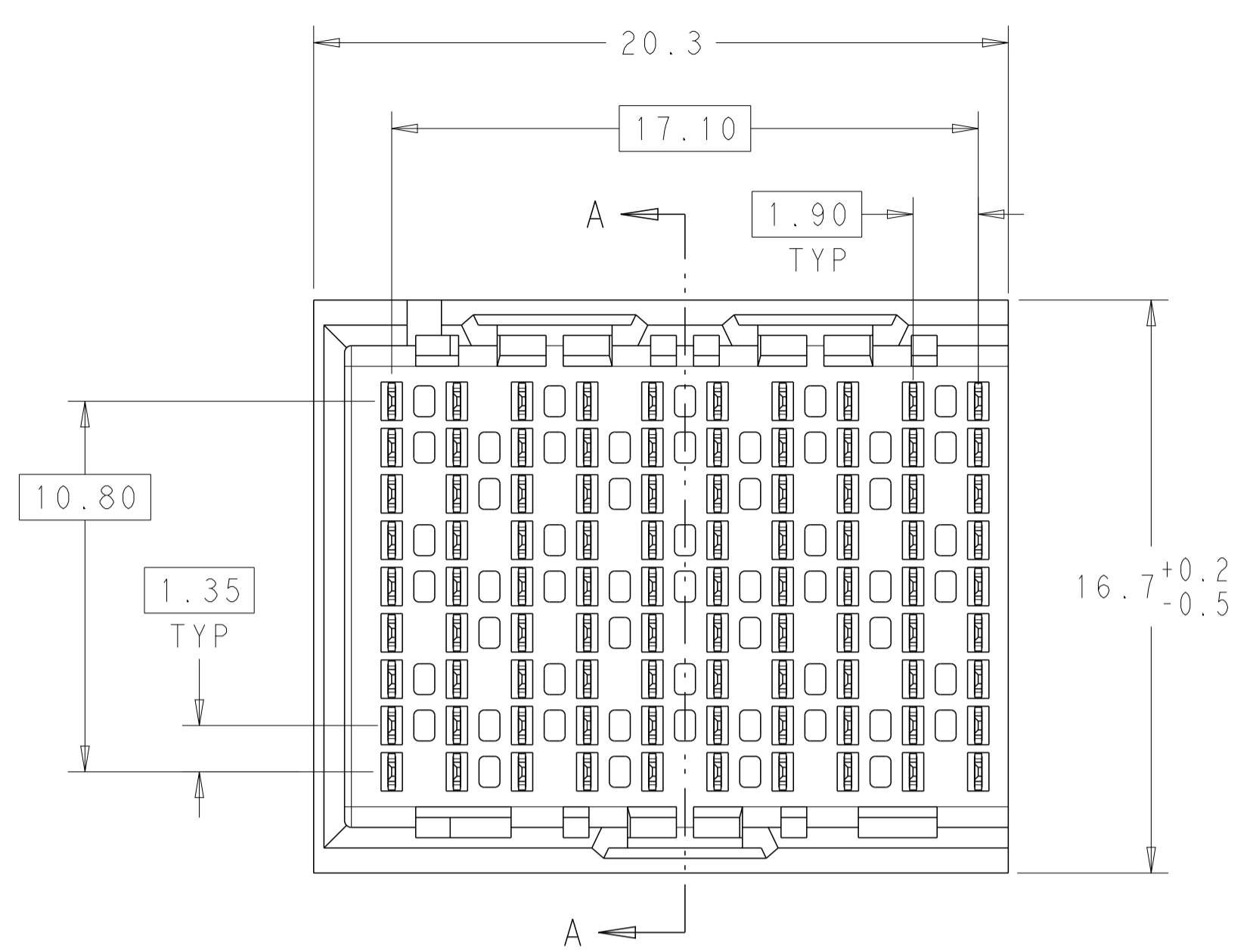
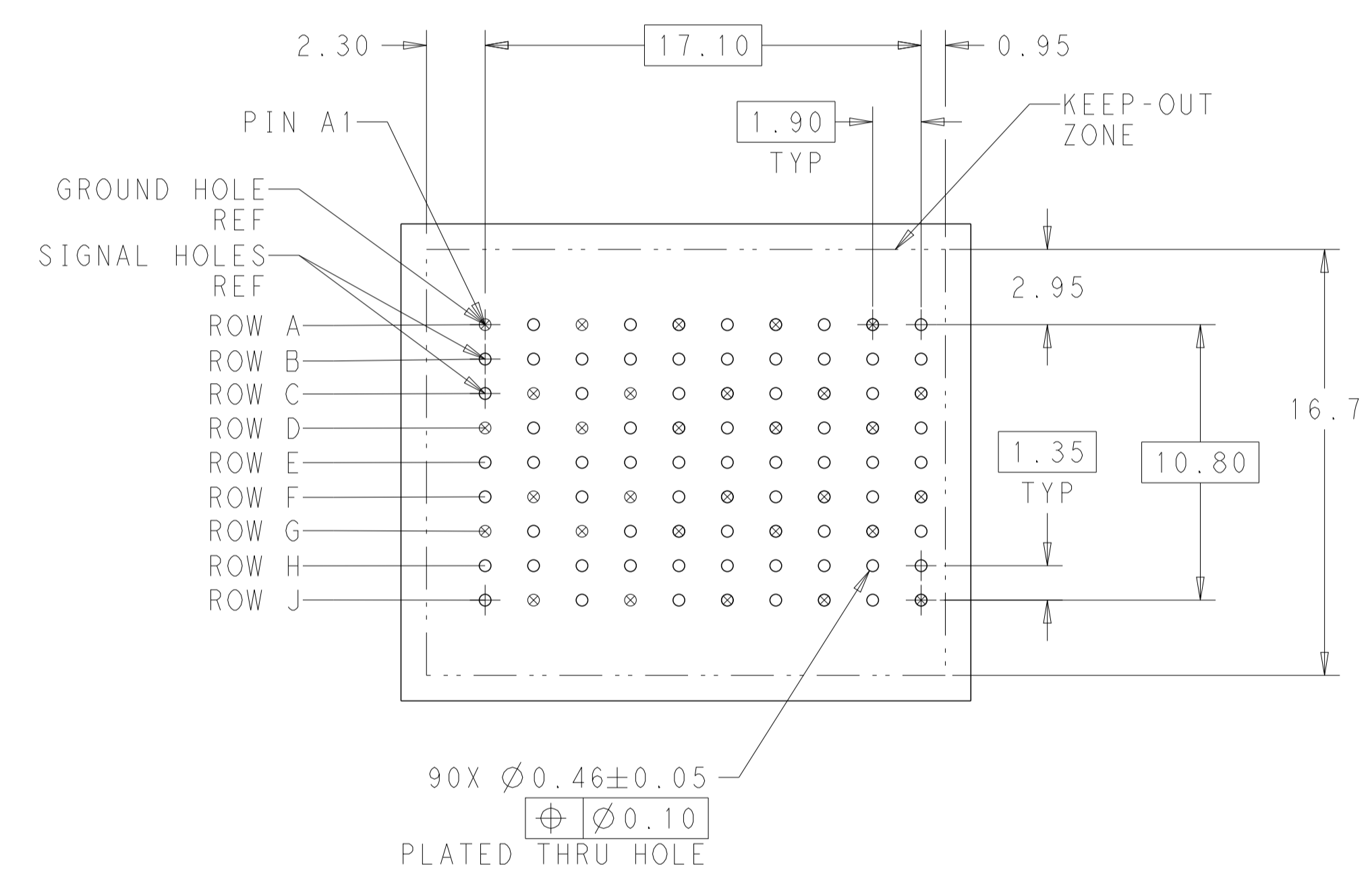


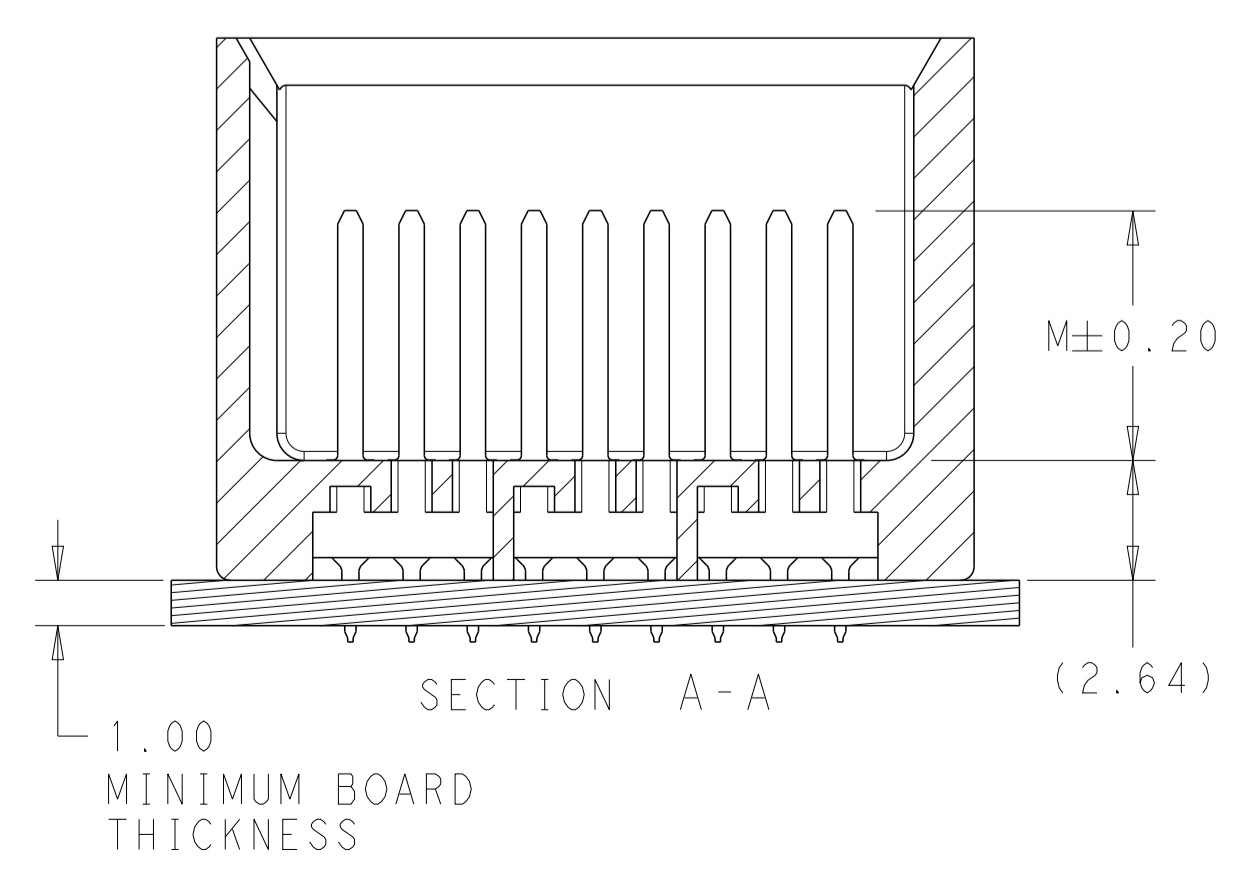
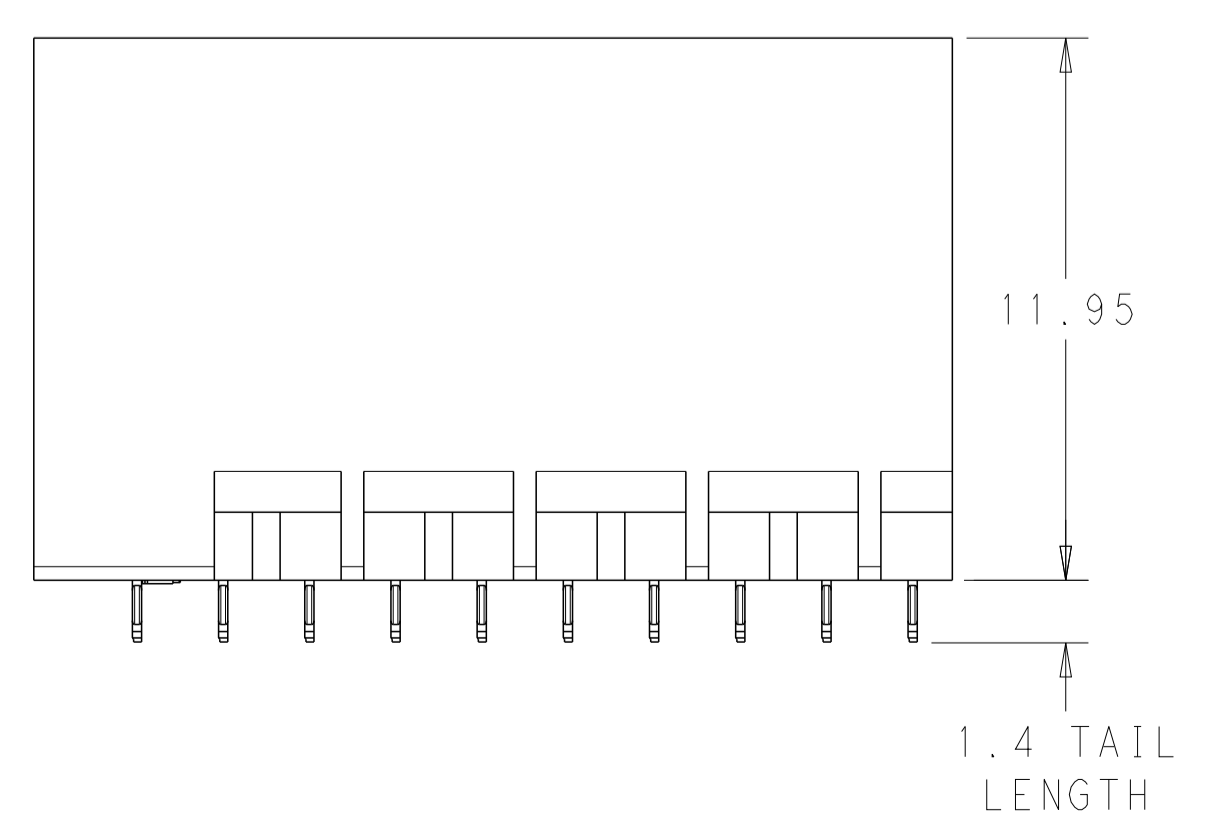
LOC	DIST	REVISIONS			
P	LTN	DESCRIPTION	DATE	DWN	APVD
C1		REVISED PER ECO-13-009968	21JUN2013	KH	DD



- ⚠ MATERIAL:  
HOUSING: LCP, GLASS FILLED, UL94V-0.  
TERMINALS: HIGH PERFORMANCE COPPER ALLOY.
- ⚠ FINISH:  
30μ" MIN GOLD IN CONTACT AREA. SELECTIVE TIN ON PCB TAILS, NICKEL OVERALL.
- ⚠ FINISH:  
30μ" MIN GOLD IN CONTACT AREA. SELECTIVE TIN-LEAD ON PCB TAILS, NICKEL OVERALL.



UNGUIDED BACKPLANE HOLE PATTERN (CONNECTOR SIDE)



THIS DRAWING IS A CONTROLLED DOCUMENT.		DWN: J. K. SHOBER 22DECT11	TE Connectivity
DIMENSIONS: mm		CHK: J. EARY 22DECT11	
TOLERANCES UNLESS OTHERWISE SPECIFIED: 0 PLC ± 1 PLC ±0.25 2 PLC ±0.13 3 PLC ± 4 PLC ± ANGLES ± FINISH SEE TABLE		APVD: J. EARY 22DECT11	NAME: IMPACT, 3 PAIR, 10 COLUMN, HEADER UNGUIDED, LEFT END WALL SIGNAL MODULE, 0.46 PTH
MATERIAL: ⚠		WEIGHT: -	SIZE: A100779 C=2007785
CUSTOMER DRAWING		SCALE: 6:1	SHEET 1 OF 2 REV: C1

THIS DRAWING IS UNPUBLISHED. RELEASED FOR PUBLICATION 20  
 © COPYRIGHT 20 . ALL RIGHTS RESERVED.

LOC		DIST		REVISIONS			
AD	00	P	LTN	DESCRIPTION	DATE	DMN	APVD
		-		SEE SHEET 1			

FINISH	DIM M	PART NUMBER
$\triangle_3$	5.5	2007785-6
$\triangle_3$	4.9	2007785-5
$\triangle_3$	4.5	2007785-4
$\triangle_2$	5.5	2007785-3
$\triangle_2$	4.9	2007785-2
$\triangle_2$	4.5	2007785-1

REFER TO WWW.TE.COM  
FOR PRODUCT AVAILABILITY

THIS DRAWING IS A CONTROLLED DOCUMENT.		DMN J.K.SHOBER 22DECT1	
DIMENSIONS: mm		CHK J. EARY 22DECT1	
TOLERANCES UNLESS OTHERWISE SPECIFIED:		APVD J. EARY 22DECT1	NAME IMPACT, 3 PAIR, 10 COLUMN, HEADER UNGUIDED, LEFT END WALL SIGNAL MODULE, 0.46 PTH
0 PLC ±0.25		PRODUCT SPEC	
1 PLC ±0.13		APPLICATION SPEC	SIZE CAGE CODE DRAWING NO RESTRICTED TO
2 PLC ±		WEIGHT	A100779C=2007785
3 PLC ±		CUSTOMER DRAWING	SCALE 5:1 SHEET 2 OF 2 REV C1
4 PLC ±			
ANGLES FINISH SEE TABLE			