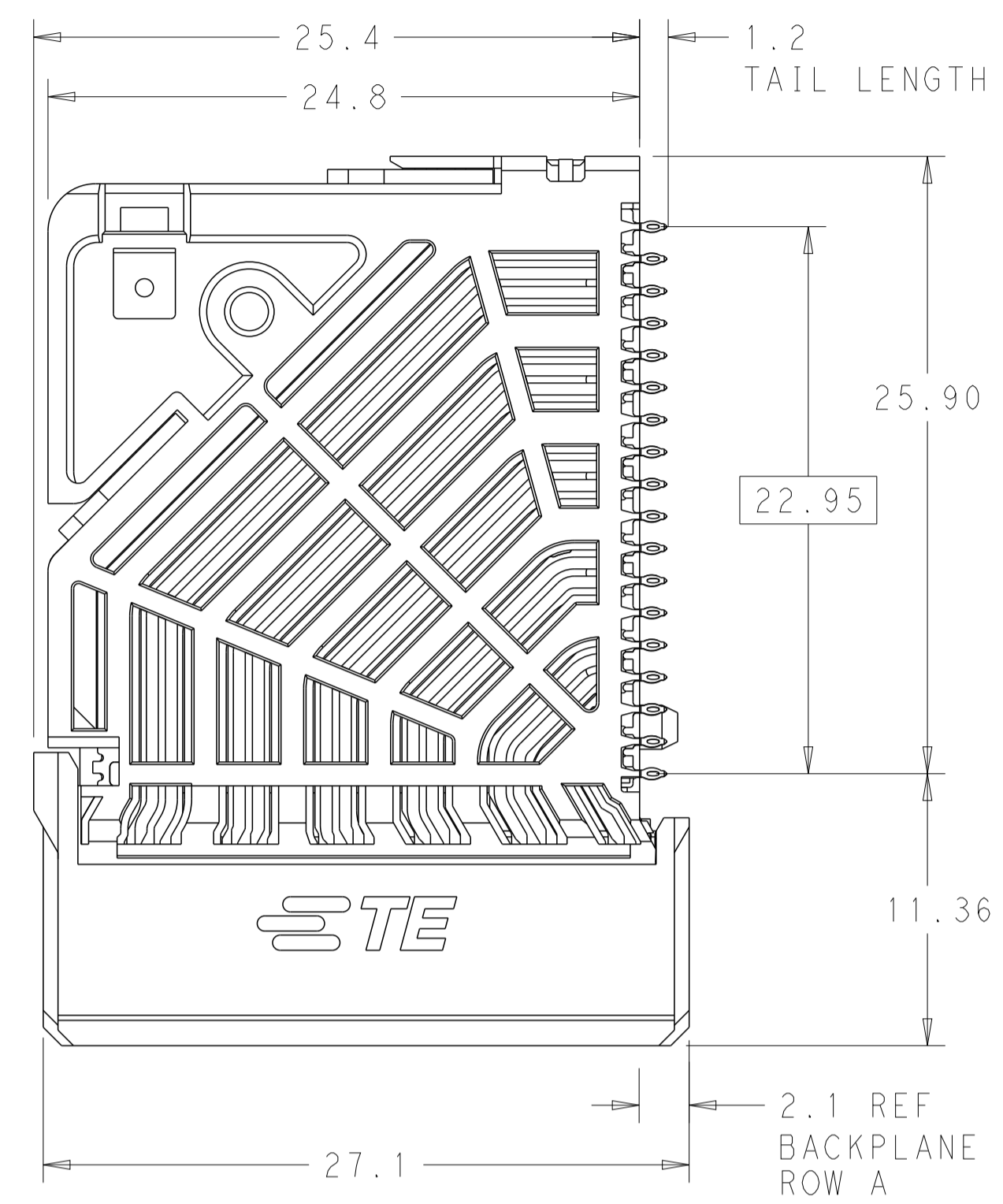
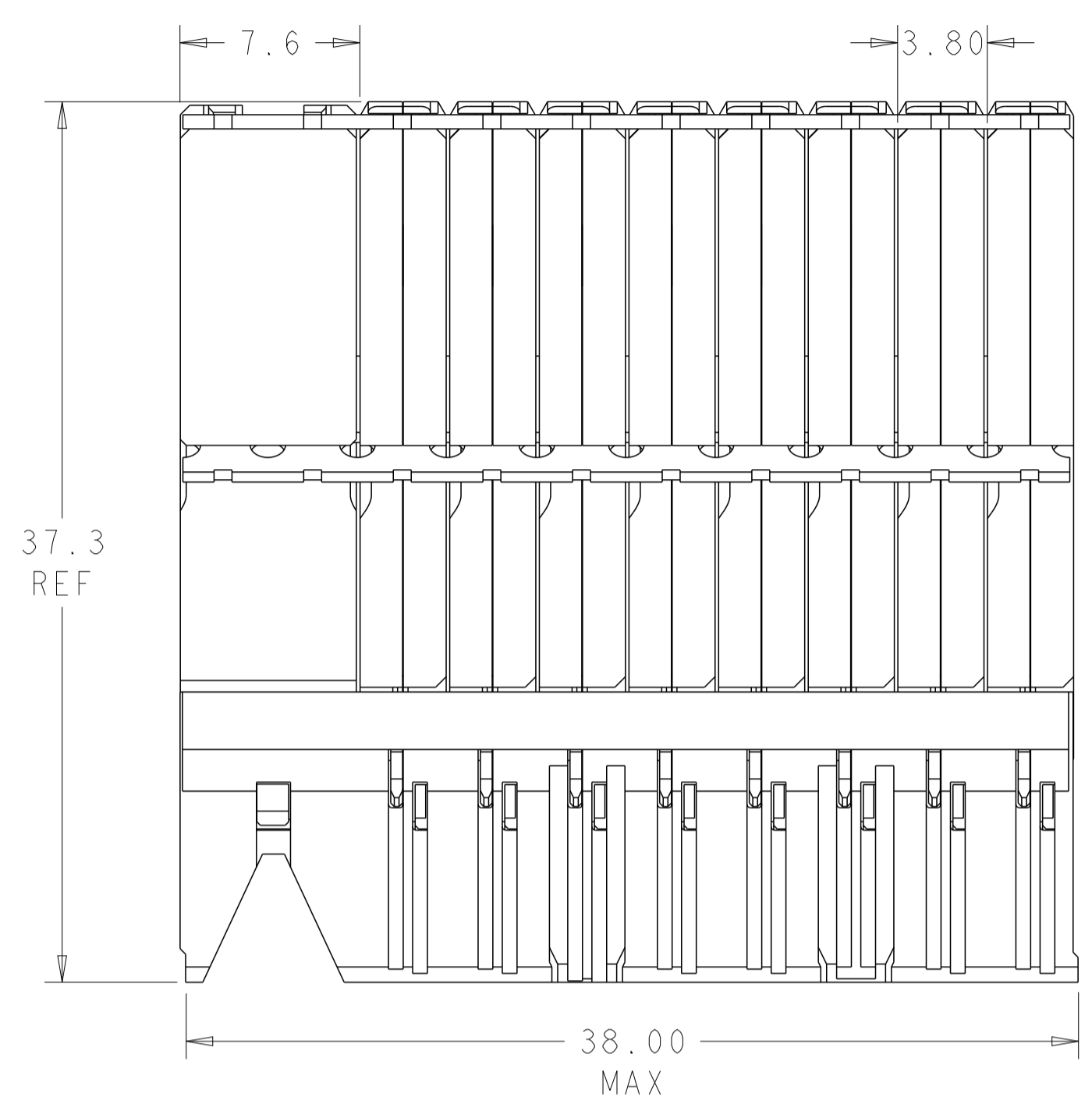
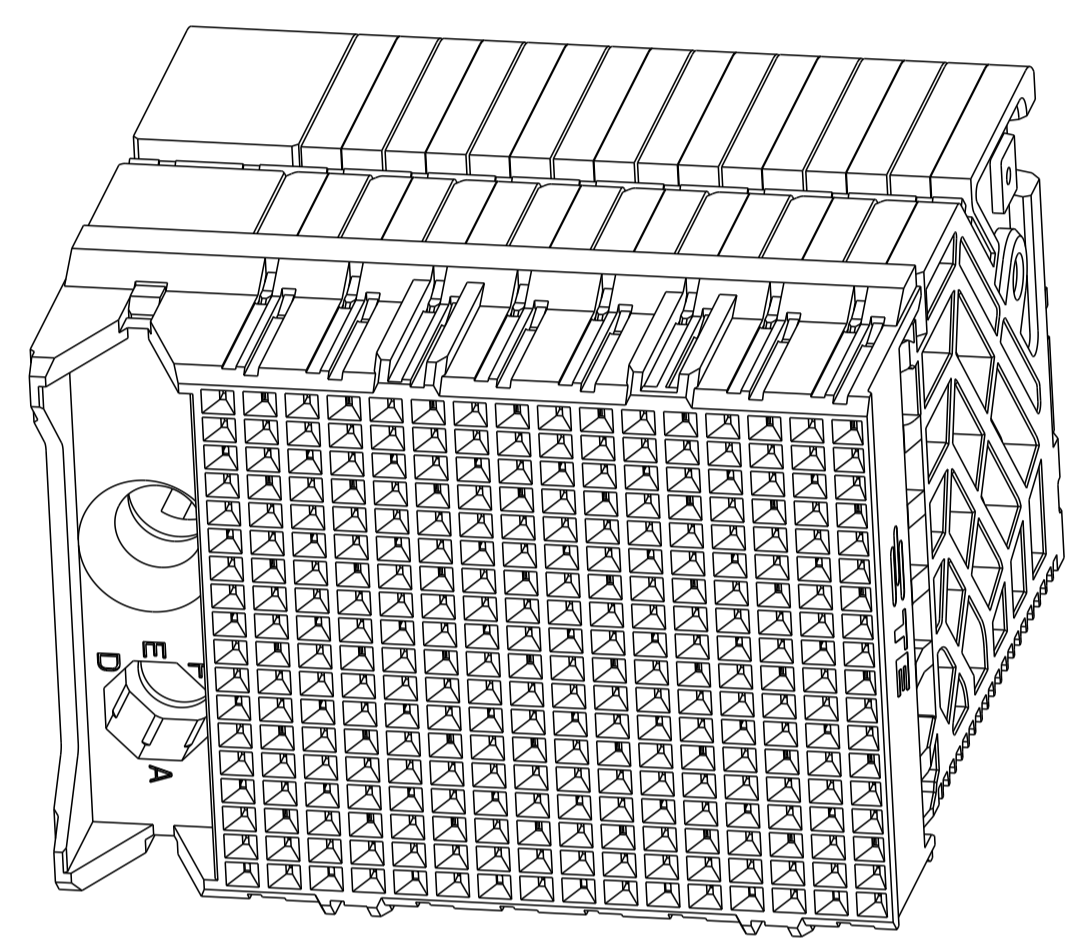


REVISIONS				
P	LTN	DESCRIPTION	DATE	APVD
D		REVISED PER ECO-15-012351	03SEP2015	AP SY
D1		REVISED PER ECN-24-252171	22FEB2024	AP RS

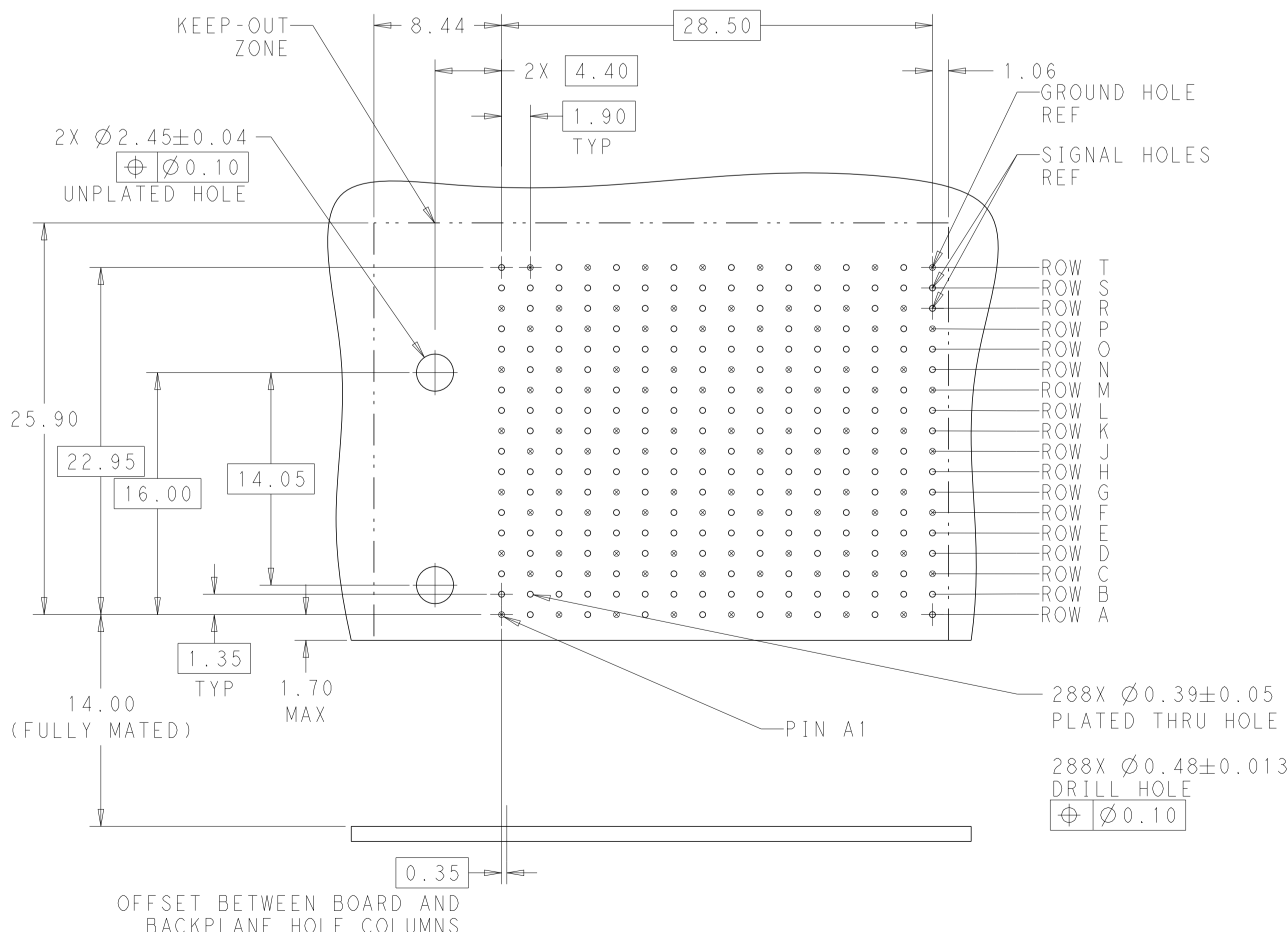
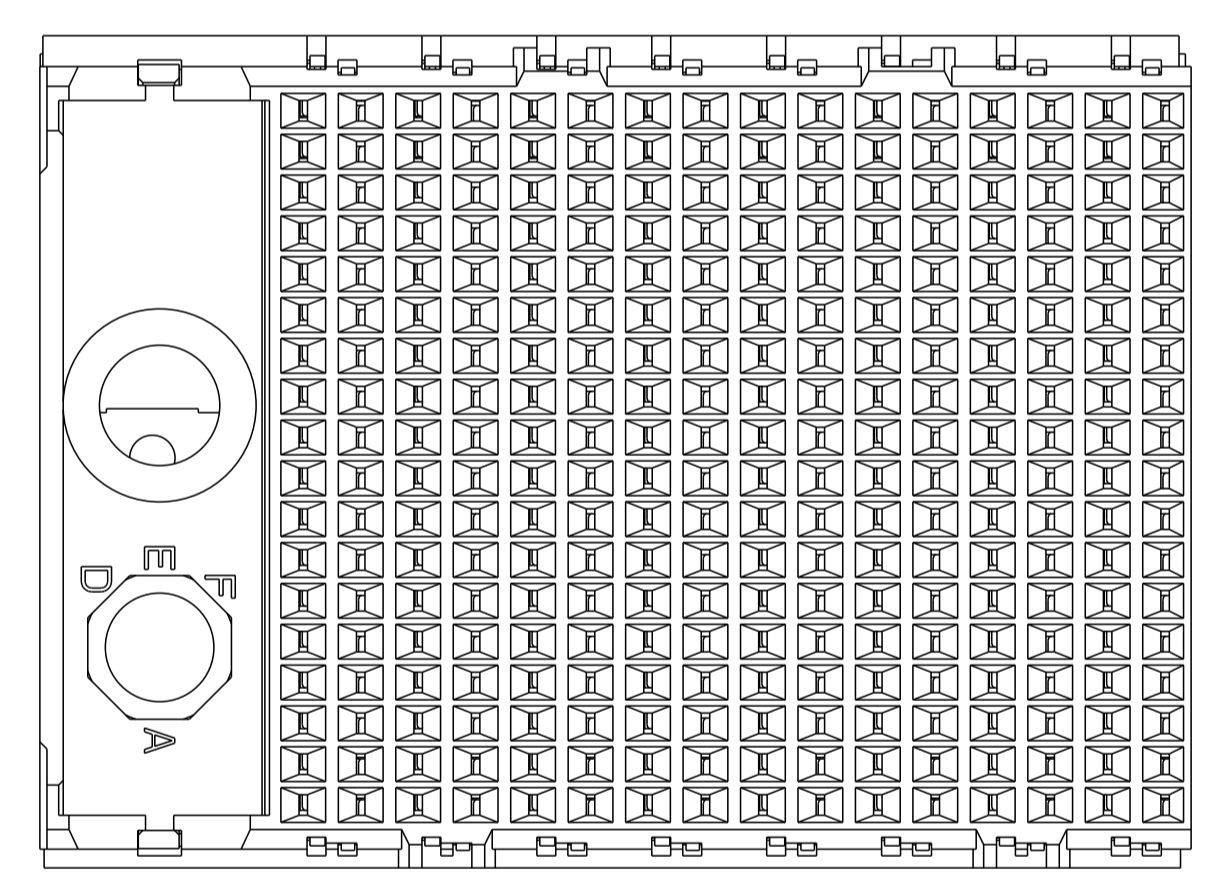


- ⚠ MATERIAL:  
HOUSING: LCP, GLASS FILLED, UL94V-0.  
TERMINALS: HIGH PERFORMANCE COPPER ALLOY.
- ⚠ FINISH:  
30μ" SELECTIVE GOLD IN CONTACT AREA. SELECTIVE TIN ON PCB TAILS, NICKEL OVERALL.
- 3. CONNECTORS SUPPLIED WITH MOUNTING SCREWS.



SCALE 3:1

REFER TO WWW.TE.COM FOR PRODUCT AVAILABILITY



KEY POSITION CHART	
NONE	
A	E
B	F
C	G
D	H

RECOMMENDED PCB LAYOUT  
 MIN BOARD THICKNESS 1.0

OBSOLETE	H	⚠	8-2007745-1
	G	⚠	7-2007745-1
	F	⚠	6-2007745-1
	E	⚠	5-2007745-1
	D	⚠	4-2007745-1
	C	⚠	3-2007745-1
	B	⚠	2-2007745-1
	A	⚠	1-2007745-1
NONE	⚠	2007745-1	
KEY POSITION		FINISH	PART NUMBER

DIMENSIONS:		TOLERANCES UNLESS OTHERWISE SPECIFIED:		MATERIAL:	
mm	0 PLC	±	0.2	SEE TABLE	SEE TABLE
	1 PLC	±	0.13		
	2 PLC	±	0.1		
	3 PLC	±	0.075		
	4 PLC	±	0.05		
	ANGLES	±	0.5		

THIS DRAWING IS A CONTROLLED DOCUMENT.	OWN R. COELLO 28MAR2011	NAME	IMPACT, 6 PAIR, DAUGHTERCARD
	CHK D. DIXON 28MAR2011	PRODUCT SPEC	16 COLUMN, LEFT GUIDED, SIGNAL
	APVD D. DIXON 28MAR2011	APPLICATION SPEC	MODULE, 0.39 EYELET
		SIZE	A100779C=2007745
		WEIGHT	
		CUSTOMER DRAWING	

TE Connectivity

SCALE 4:1 SHEET 1 OF 1 REV D1