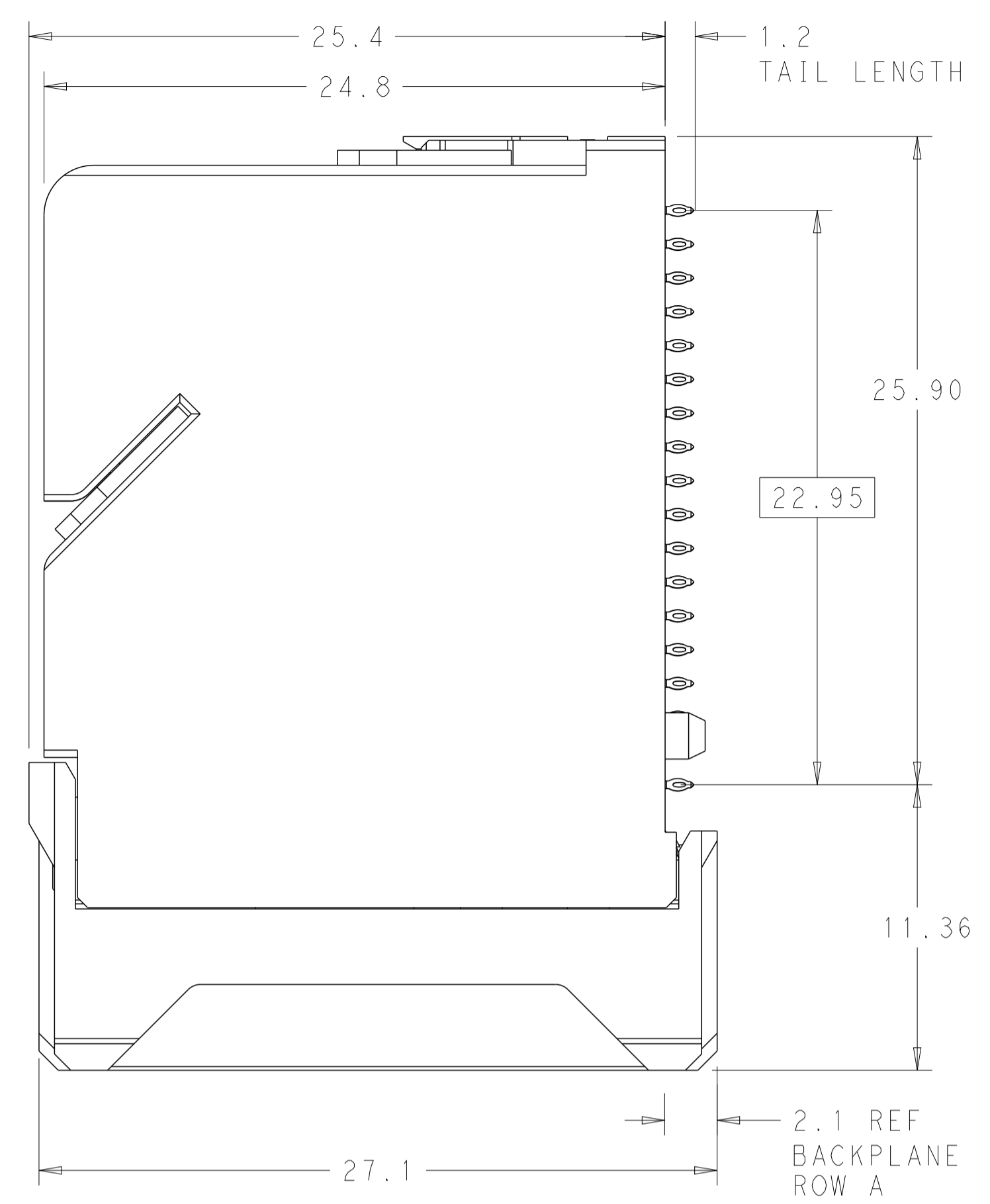
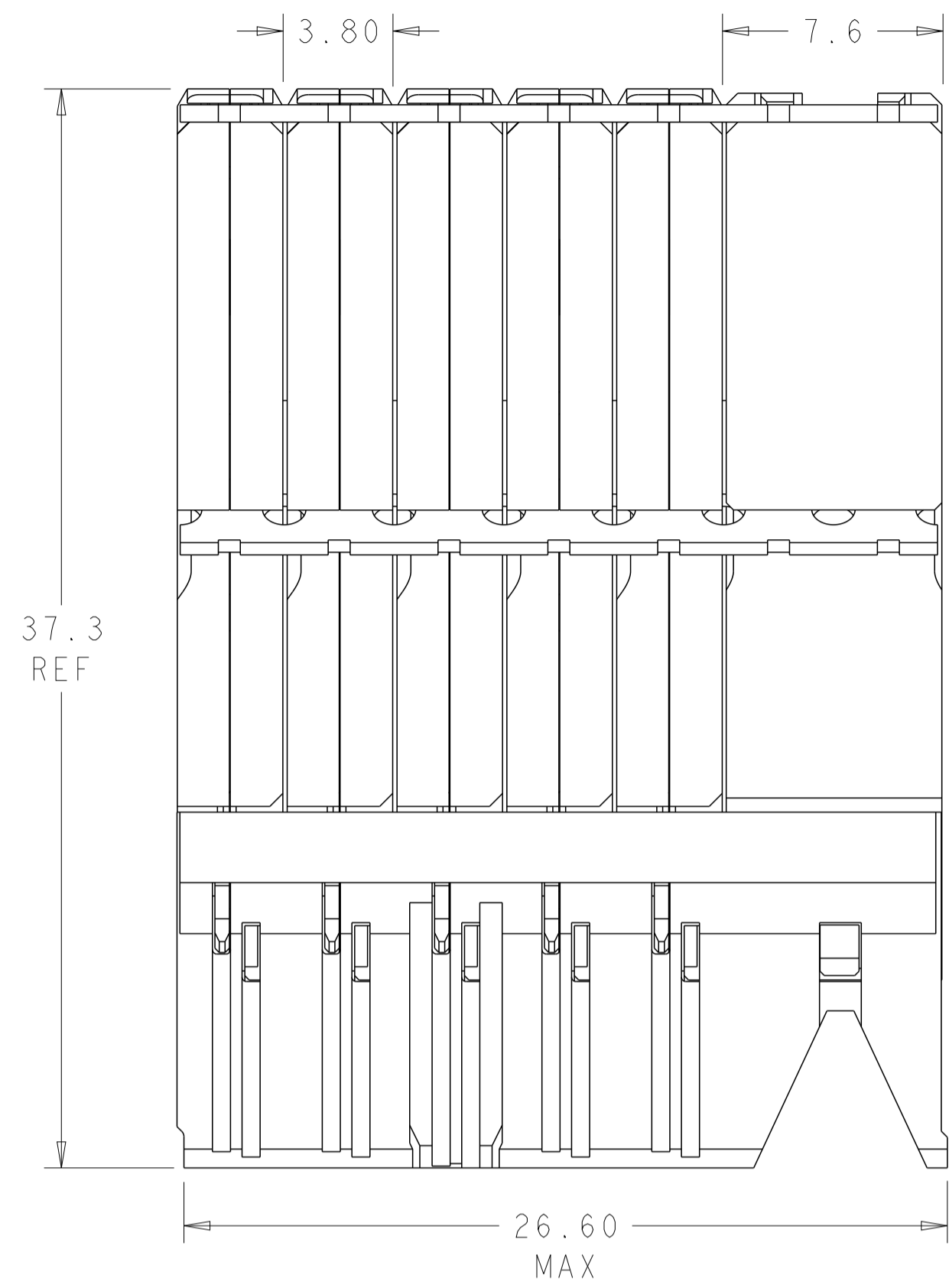
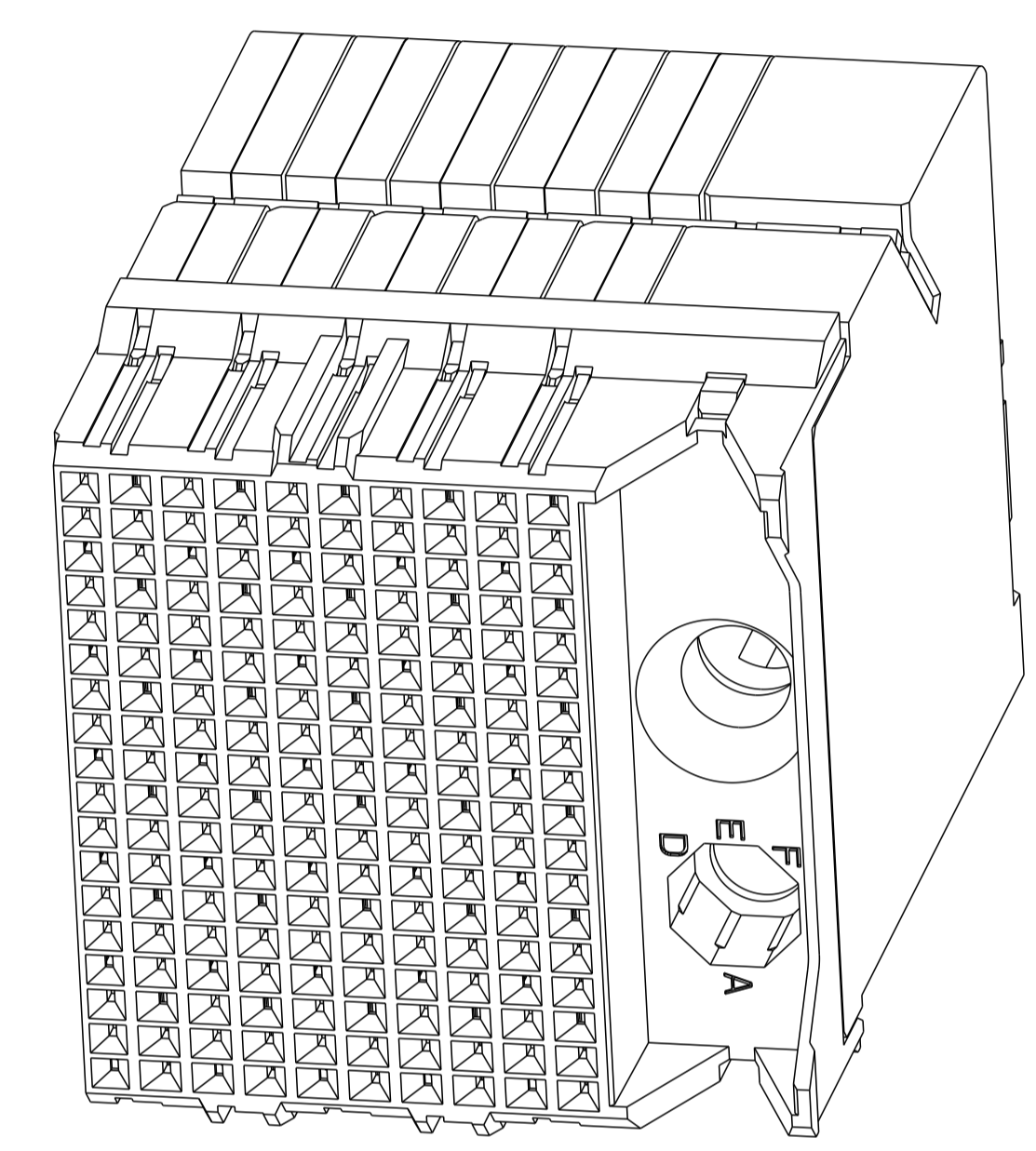


REVISIONS				
P	LTN	DESCRIPTION	DATE	APV
E		REVISED PER ECO-15-012351	03SEP2015	AP SY
E1		REVISED PER ECN-24-252171	22FEB2024	AP RS

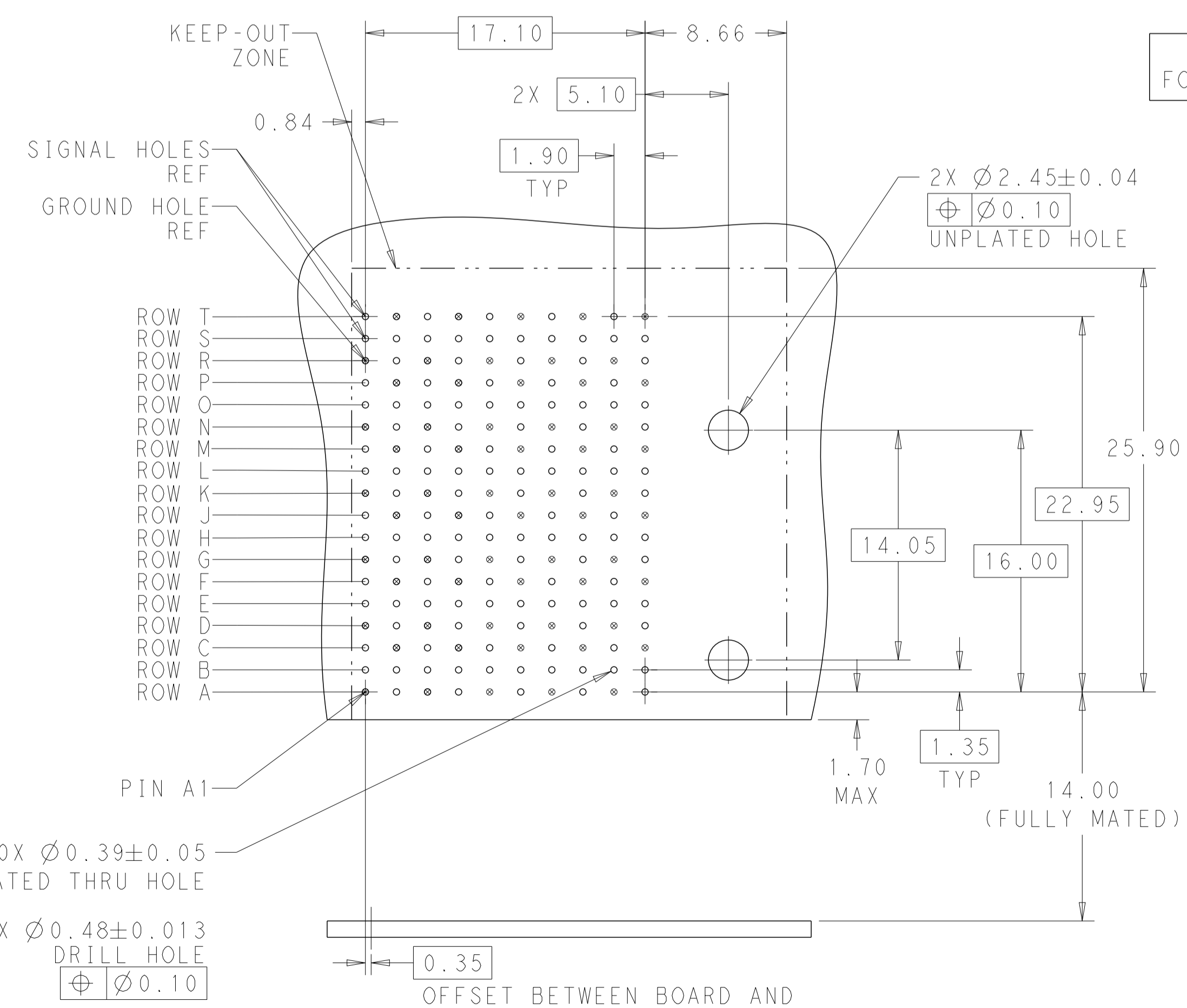
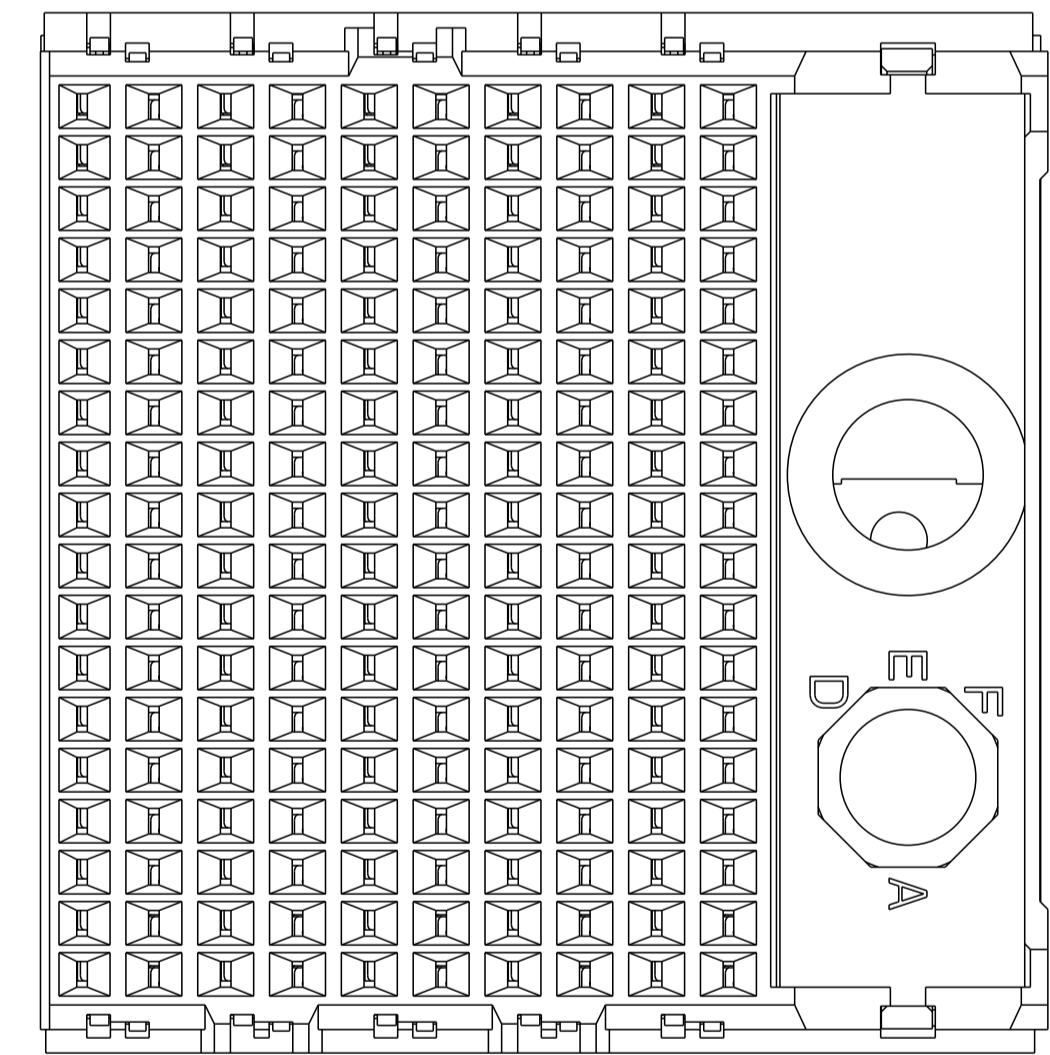


- ⚠ MATERIAL:  
HOUSING: LCP, GLASS FILLED, UL94V-0.  
TERMINALS: HIGH PERFORMANCE COPPER ALLOY.
- ⚠ FINISH:  
30µ" SELECTIVE GOLD IN CONTACT AREA. SELECTIVE TIN ON PCB TAILS, NICKEL OVERALL.
- 3 CONNECTORS SUPPLIED WITH MOUNTING SCREWS.



SCALE 4:1

REFER TO WWW.TE.COM FOR PRODUCT AVAILABILITY



KEY POSITION CHART	
	NONE
	A
	B
	C
	D
	E
	F
	G
	H

KEY POSITION	FINISH	PART NUMBER
H	⚠	8-2007740-1
G	⚠	7-2007740-1
F	⚠	6-2007740-1
E	⚠	5-2007740-1
D	⚠	4-2007740-1
C	⚠	3-2007740-1
B	⚠	2-2007740-1
A	⚠	1-2007740-1
NONE	⚠	2007740-1

THIS DRAWING IS A CONTROLLED DOCUMENT.

DIMENSIONS:	TOLERANCES UNLESS OTHERWISE SPECIFIED:	OWN: B. CARBO 17AUG2010	NAME: IMPACT, STD, R/A, 6 PAIR, 10 COLUMN, DAUGHTERCARD, RIGHT GUIDED SIGNAL, 0.39 EYELET
mm	0 PLC ±0.2	CHK: D. DIXON 17AUG2010	PRODUCT SPEC
	1 PLC ±0.10	APV: D. DIXON 17AUG2010	APPLICATION SPEC
	2 PLC ±0.10		SIZE: CAGE CODE: DRAWING NO: RESTRICTED TO
	3 PLC ±0.10		WEIGHT: A100779C=2007740
	4 PLC ±0.10		CUSTOMER DRAWING
ANGLES	±0.10		SCALE: 5:1 SHEET 1 OF 1 REV: E1
FINISH	SEE TABLE		

RECOMMENDED PCB LAYOUT  
 MIN BOARD THICKNESS 1.0