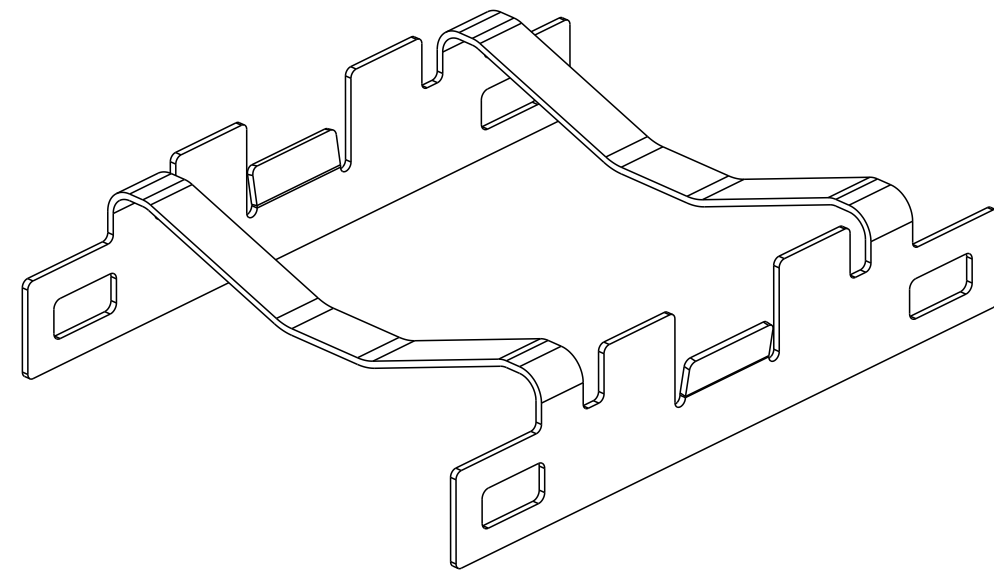
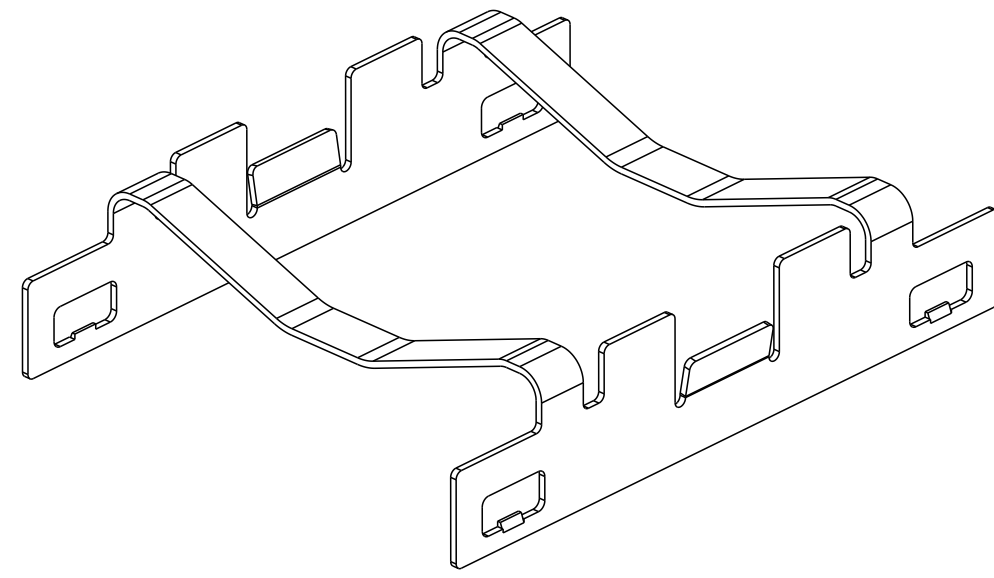


THIS DRAWING IS UNPUBLISHED. RELEASED FOR PUBLICATION 20
 © COPYRIGHT 20 BY - ALL RIGHTS RESERVED.

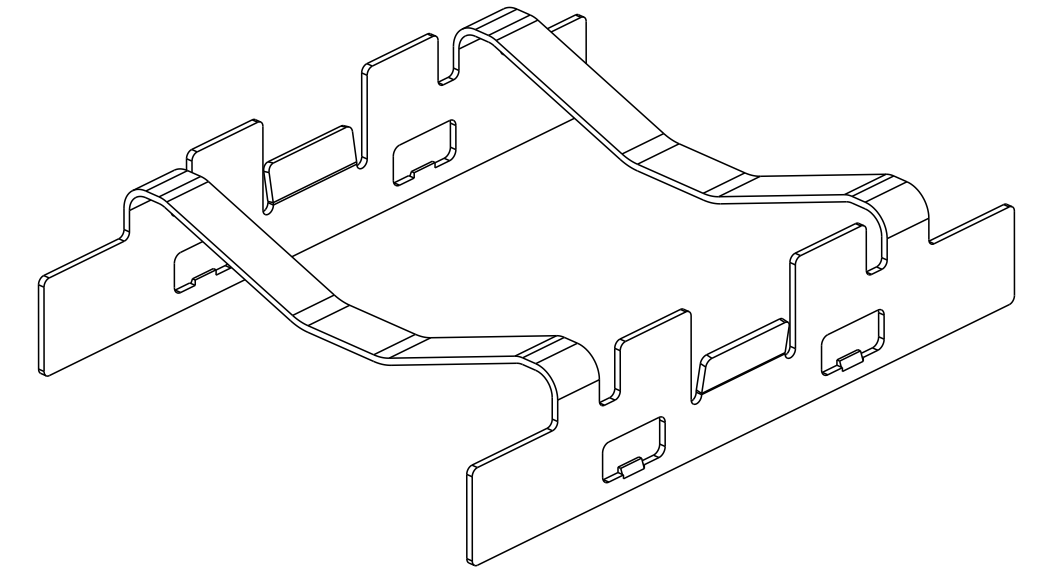
REVISIONS					
P	LTR	DESCRIPTION	DATE	DWN	APVD
B		REVISED PER ECO-14-016404	3NOV2014	JY	-
C		REVISED PER ECO-17-011427	07AUG2017	TX	SH
C3		REVISED PER ECN-23-216399	17MAY2023	RY	SZ



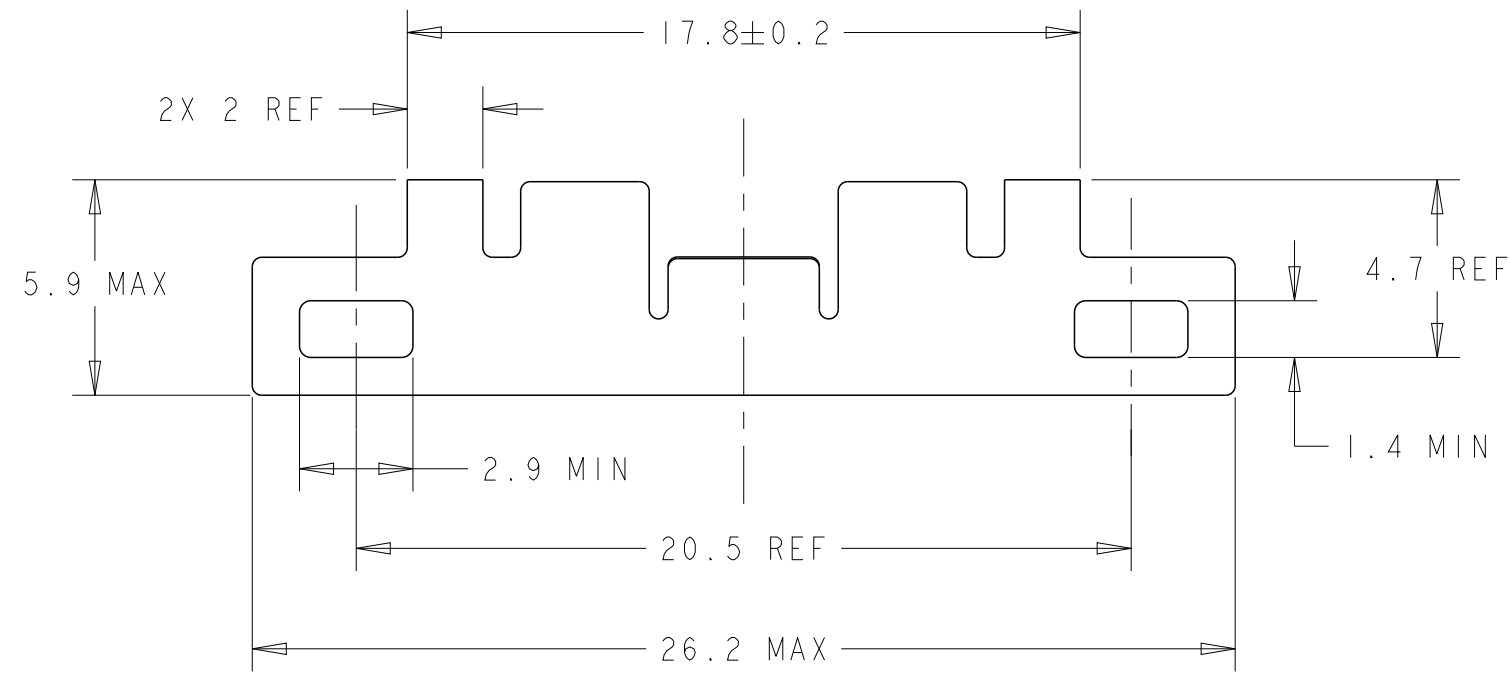
2007304-1
SCALE 4:1



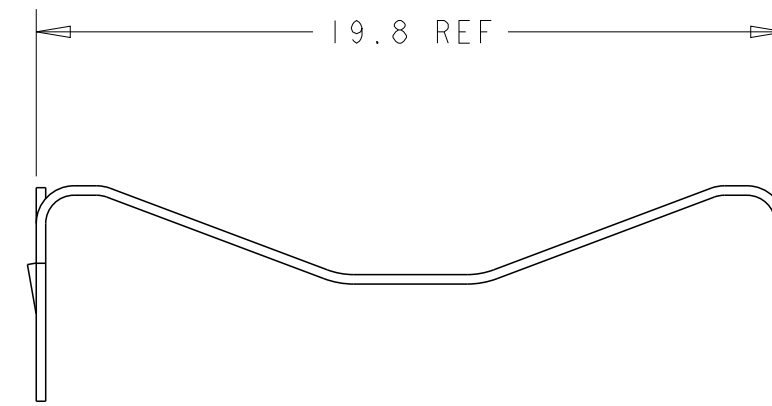
2007304-5
SCALE 4:1



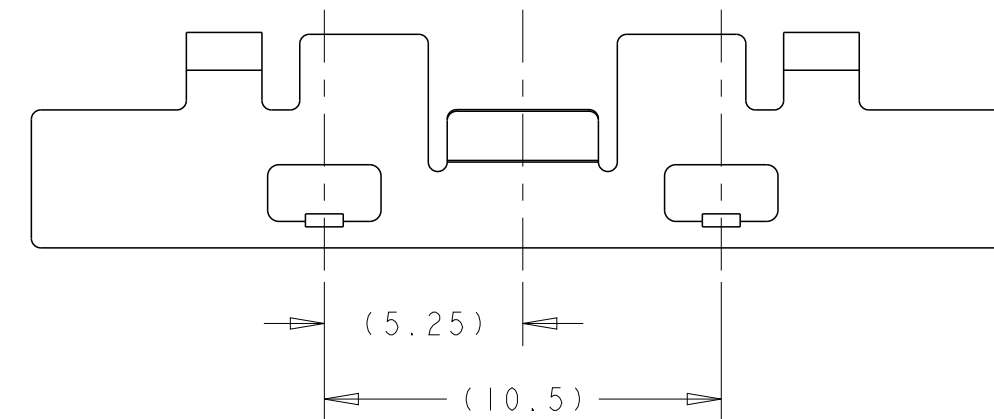
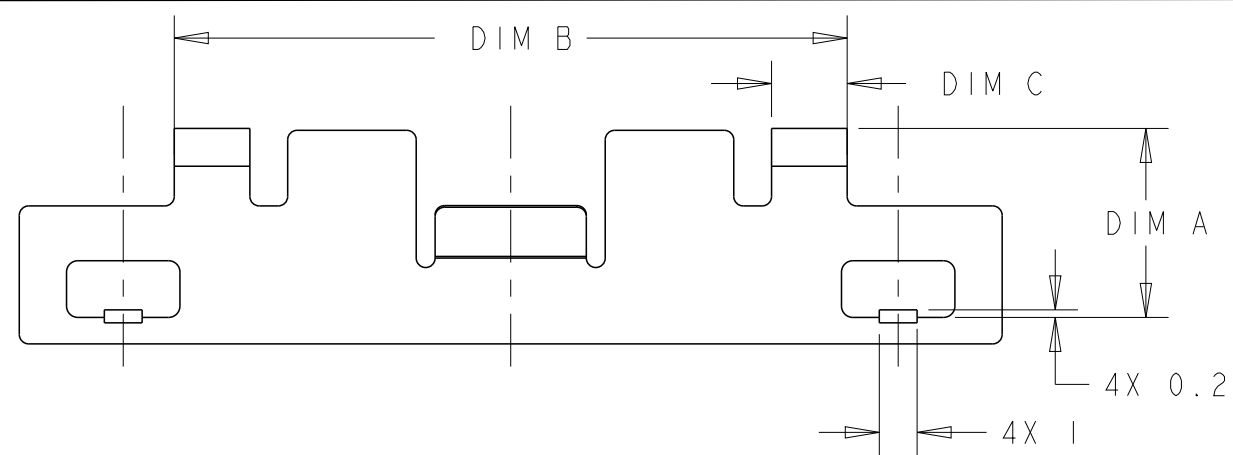
2007304-7
SCALE 4:1



2007304-1 AS SHOWN
SCALE 5:1



2007304-7
UNSPECIFIED SPEC PER 2007304-5
SCALE 5:1



2.2 REF	18.20±0.20	5.4 REF	2-2007304-1
2.0 REF	17.80±0.20	5.0 REF	2007304-5
DIM C	DIM B	DIM A	PART NUMBER

2007304-5/2-2007304-1
UNSPECIFIED SPEC PER 2007304-1
SCALE 5:1

2-2007304-1
2007304-7
2007304-5
2007304-1
PART NUMBER

THIS DRAWING IS A CONTROLLED DOCUMENT.		DWN C. VALENTINE 23SEP2008	TE Connectivity	
DIMENSIONS: mm		CHK E. BRIGHT 23SEP2008		
TOLERANCES UNLESS OTHERWISE SPECIFIED:		APVD E. BRIGHT 23SEP2008	NAME QSFP HEAT SINK CLIP	
0 PLC ± 1 PLC ±0.3 2 PLC ±0.1 3 PLC ±0.001 4 PLC ±0.0001 ANGLES ±		PRODUCT SPEC 108-2286	SIZE -	
MATERIAL -		APPLICATION SPEC 114-13218	CAGE CODE A200779	DRAWING NO C-2007304
FINISH -		WEIGHT -	RESTRICTED TO -	SCALE 3:1
		Customer Drawing	SHEET 1	REV C3