

4

3

2

1

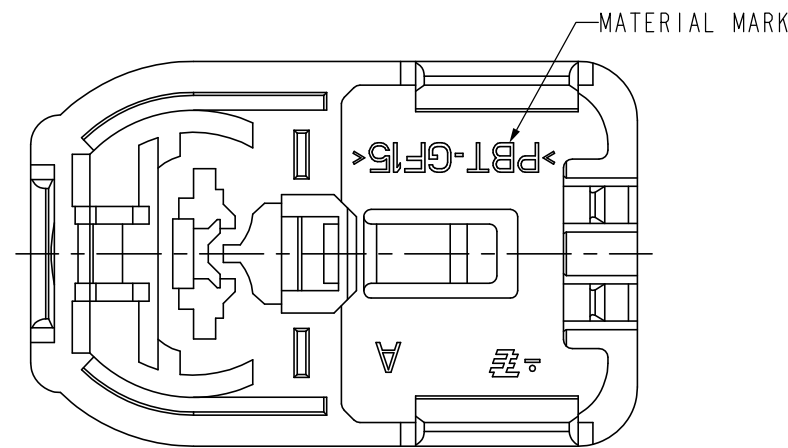
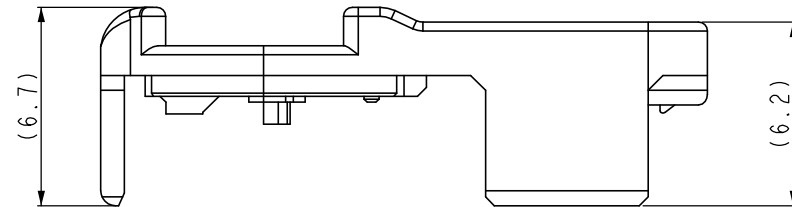
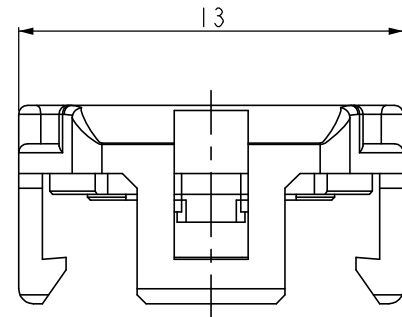
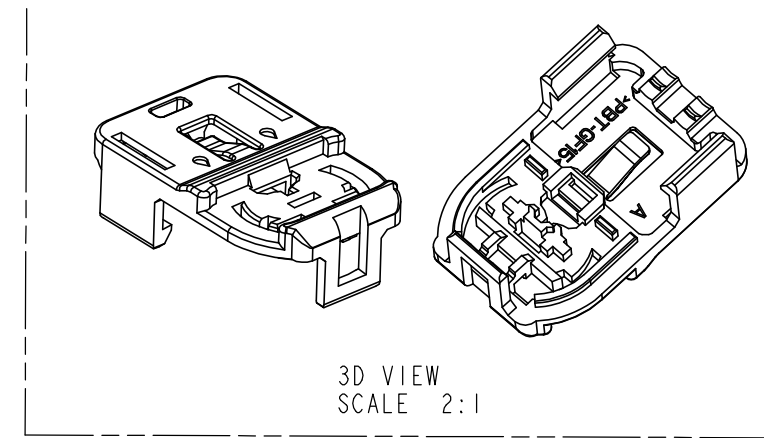
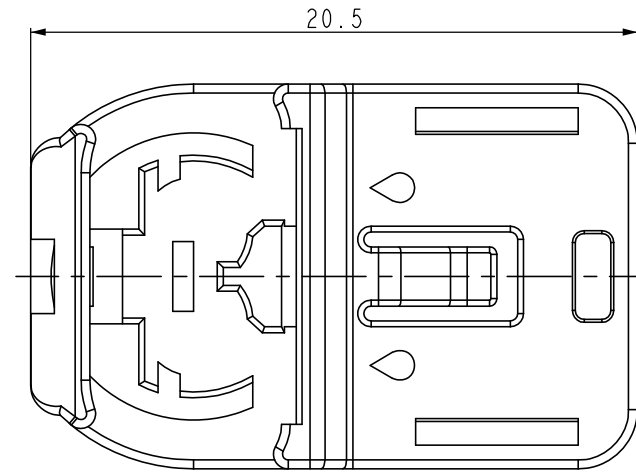
THIS DRAWING IS UNPUBLISHED.

RELEASED FOR PUBLICATION

© COPYRIGHT 19

BY TYCO ELECTRONICS CORPORATION. ALL INTERNATIONAL RIGHTS RESERVED.

LOC	DIST	REVISIONS			
P	LTR	DESCRIPTION	DATE	DWN	APVD
DS	-				
	A	RELEASED	20.OCT.'10	KT	HG



NOTE

- GENERAL TOLERANCE: ± 0.3 , $\pm 3^\circ$
- APPLICABLE SQUIB AK-11 PLUG HSG P/N: 2005510-X

YELLOW	PBT-GF15	COVER HSG FOR SQUIB AK-11	2005511-5
COLOR	MATERIAL	DESCRIPTION	P/N

THIS DRAWING IS A CONTROLLED DOCUMENT FOR TYCO ELECTRONICS CORPORATION
IT IS SUBJECT TO CHANGE AND THE CONTROLLING ENGINEERING ORGANIZATION
SHOULD BE CONTACTED FOR THE LATEST REVISION.

DIMENSIONS: mm	TOLERANCES UNLESS OTHERWISE SPECIFIED:
	0 PLC \pm
	1 PLC \pm
	2 PLC \pm
	3 PLC \pm
	4 PLC \pm
	ANGLES \pm
MATERIAL -	FINISH -

DWN KT JUNG	Tyco Electronics Kyungsan, Korea			
CHK KT LIM				
APVD HG CHO	NAME COVER HSG FOR SQUIB AK-11 CONNECTOR			
PRODUCT SPEC -	SIZE A3	CAGE CODE 00779	DRAWING NO C-2005511	RESTRICTED TO -
APPLICATION SPEC -	CUSTOMER DRAWING			SCALE 4:1
WEIGHT -	SHEET 1 OF 1			REV A