

4

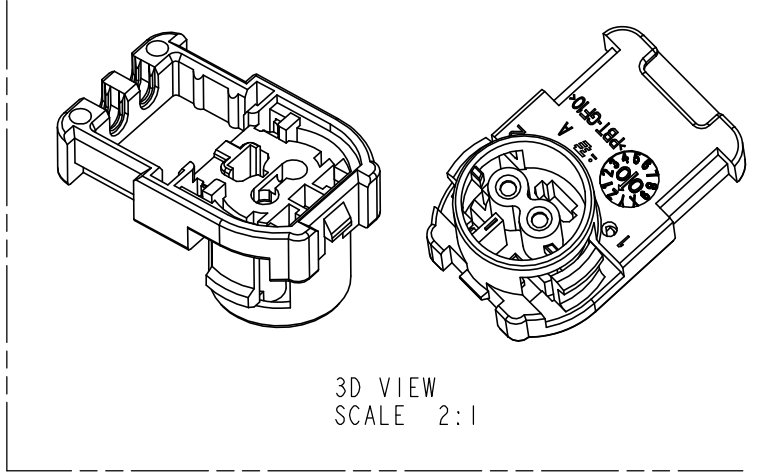
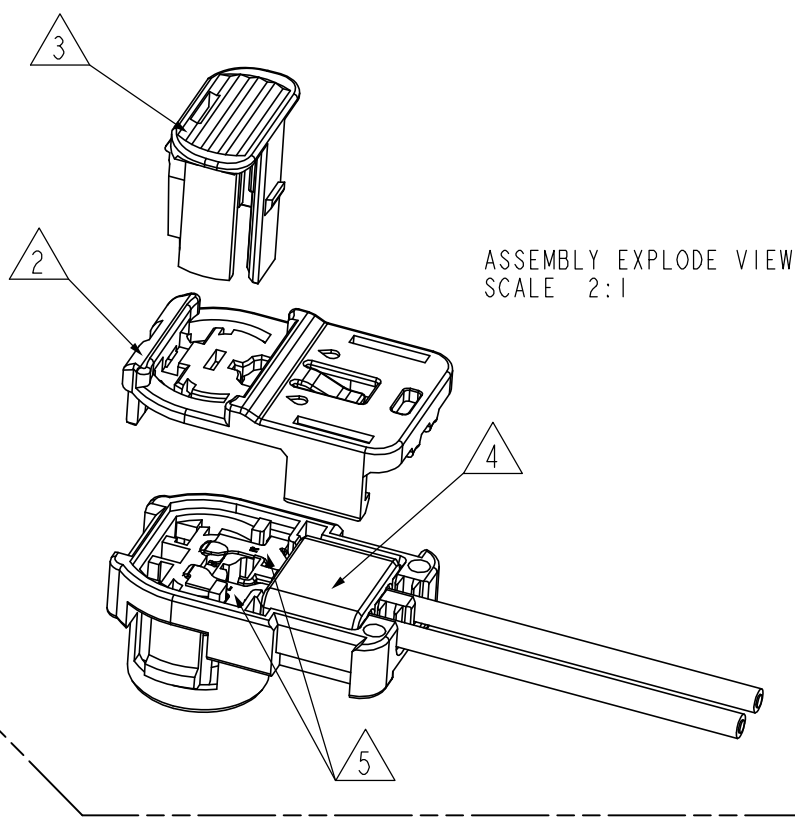
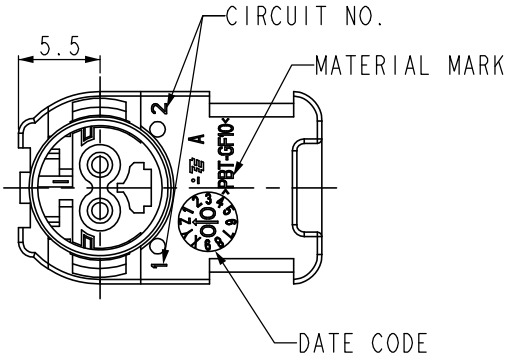
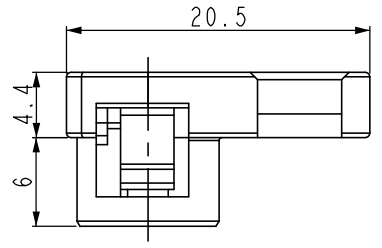
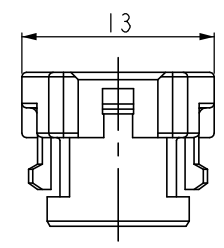
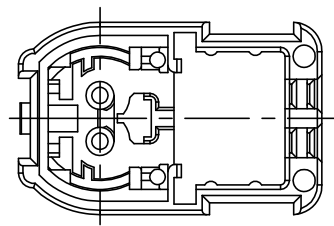
3

2

1

THIS DRAWING IS UNPUBLISHED. RELEASED FOR PUBLICATION
 © COPYRIGHT 19 BY TYCO ELECTRONICS CORPORATION. ALL INTERNATIONAL RIGHTS RESERVED.

LOC	DIST	REVISIONS			
P	LTR	DESCRIPTION	DATE	DWN	APVD
DS	-	RELEASED	20.OCT.'10	KT	HG



- NOTE
1. GENERAL TOLERANCE: $\pm 0.3, \pm 3^\circ$
 2. APPLICABLE COVER HSG P/N: 2005511-5
 3. APPLICABLE CPA P/N: 2005512-1
 4. APPLICABLE FERRITE P/N: 2005937-1
 5. APPLICABLE SOCKET CONTACT (L/R) P/N: 2005939-3
 6. KEY CODE I DRAWING IS SHOWN.
 7. KEY CODE FEATURE
 8. GENERAL ASSEMBLY DRAWING NO.: 2005339
 9. INSTRUCTION SHEET: 411-61002

7 KEY CODE FEATURE

CODE I	CODE II	CODE III	CODE IV

KEY CODE	COLOR	MATERIAL	DESCRIPTION	P/N
IV	BLUE	PBT-GF10	SQUIB AK-11 HSG, CODE 4	2005510-8
III	YELLOW	PBT-GF10	SQUIB AK-11 HSG, CODE 3	2005510-5
II	GREEN	PBT-GF10	SQUIB AK-11 HSG, CODE 2	2005510-7
I	BLACK	PBT-GF10	SQUIB AK-11 HSG, CODE 1	2005510-2

THIS DRAWING IS A CONTROLLED DOCUMENT FOR TYCO ELECTRONICS CORPORATION IT IS SUBJECT TO CHANGE AND THE CONTROLLING ENGINEERING ORGANIZATION SHOULD BE CONTACTED FOR THE LATEST REVISION.

DIMENSIONS: mm	TOLERANCES UNLESS OTHERWISE SPECIFIED: 0 PLC \pm 1 PLC \pm 2 PLC \pm 3 PLC \pm 4 PLC \pm ANGLES \pm
MATERIAL	FINISH

DWN KT JUNG	Tyco Electronics Kyungsan, Korea
CHK KT LIM	
APVD HG CHO	
PRODUCT SPEC	
NAME SQUIB AK-11 2P PLUG HOUSING	RESTRICTED TO
APPLICATION SPEC	SIZE A3
WEIGHT	CAGE CODE 00779
CUSTOMER DRAWING	DRAWING NO. C-2005510
SCALE 2:1	SHEET 1 OF 1
REV A	