

4

3

2

1

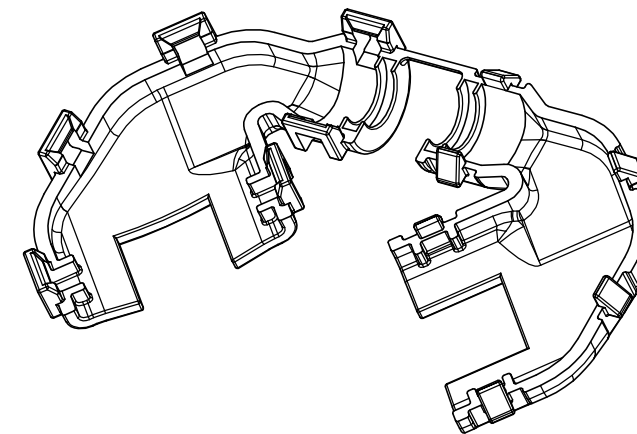
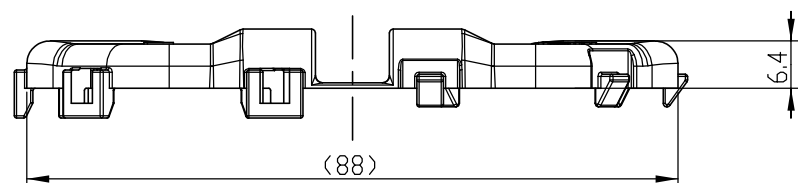
THIS DRAWING IS UNPUBLISHED.

RELEASED FOR PUBLICATION

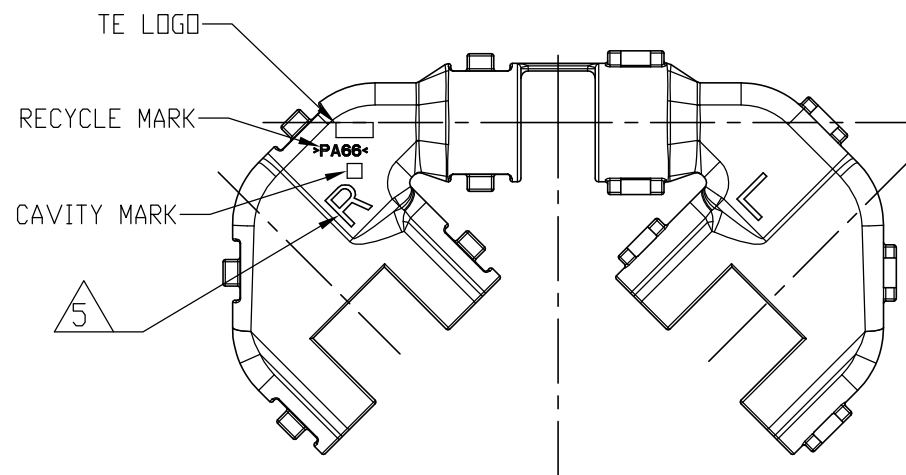
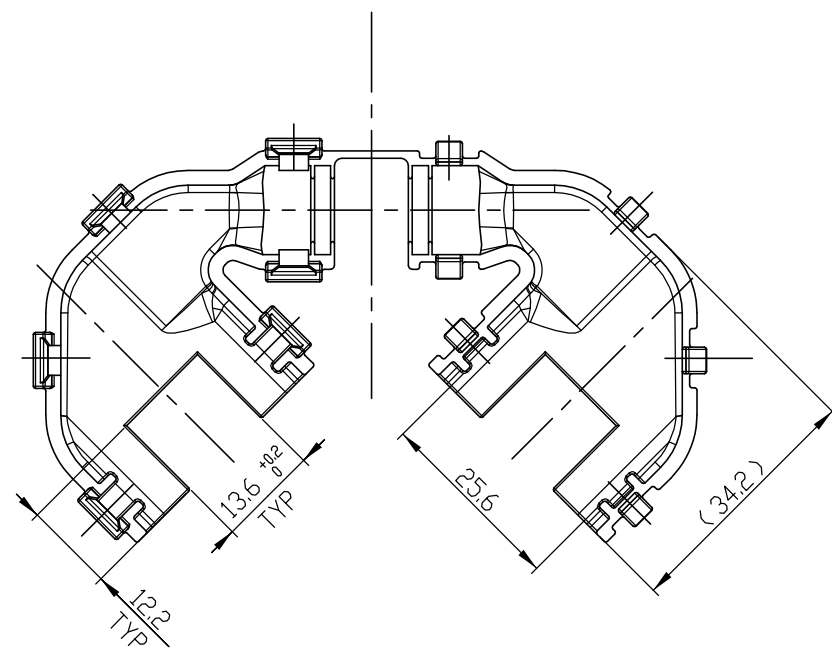
20

© COPYRIGHT 20 BY TYCO ELECTRONICS CORPORATION. ALL INTERNATIONAL RIGHTS RESERVED.

LOC	DIST	REVISIONS					
		P	LTR	DESCRIPTION	DATE	DWN	APVD
DS	-		A	RELEASED	25/JUN/10	YM	HG



3D VIEW
SCALE 1:1



NOTE

- 1.GENERAL TOLERANCE : ±0.3, ±3°
- 2.APPLICABLE COUGATOR DIAMETER : Ø7
- 3.APPLICABLE PLUG ASS'Y P/N : X-368162-X
- 4.APPLICATION TEST SPEC : MS210-12[EXT-2](EXCEPT 4.4)
- △ 'L', 'R' DIRECTION MARK

BLACK	PA66	COVER HSG	2005484-2
COLOR	MATERIAL	DESCRIPTION	P/N

THIS DRAWING IS A CONTROLLED DOCUMENT FOR TYCO ELECTRONICS CORPORATION. IT IS SUBJECT TO CHANGE AND THE CONTROLLING ENGINEERING ORGANIZATION SHOULD BE CONTACTED FOR THE LATEST REVISION.

DIMENSIONS: MM	TOLERANCES UNLESS OTHERWISE SPECIFIED	DWN YM LEE	 Tyco Electronics Kyungsan Korea
	0 PLC ± 1 PLC ± 2 PLC ± SEE NOTE 3 PLC ± 4 PLC ± ANGLES ± FINISH N/A	CHK JW JUNG	
		APVD HG CHO	
		PRODUCT SPEC TBD	
MATERIAL SEE TABLE		APPLICATION SPEC TBD	NAME JPT 4P COVER HSG
		WEIGHT -	SIZE A3
			CAGE CODE 00779
			DRAWING NO C-2005484
			RESTRICTED TO -
			CUSTOMER DRAWING
			SCALE 1:1
			SHEET 1 OF 1
			REV A