

4

3

2

1

THIS DRAWING IS UNPUBLISHED.

RELEASED FOR PUBLICATION

20

© COPYRIGHT 20

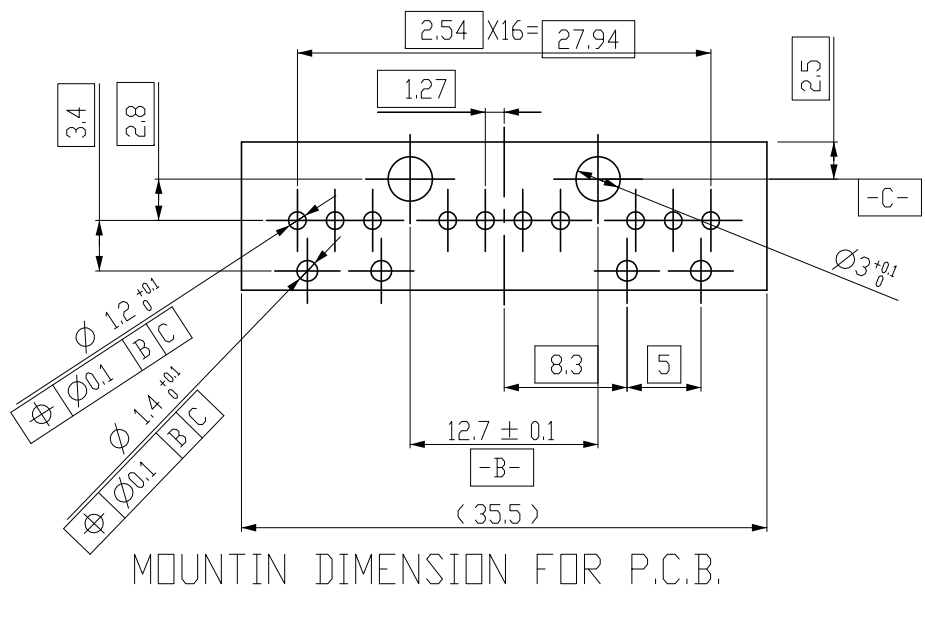
ALL RIGHTS RESERVED.

LOC DS

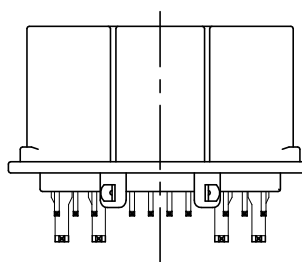
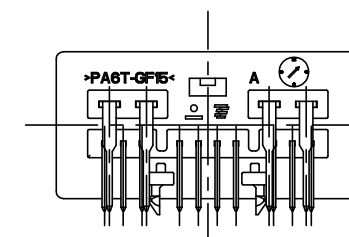
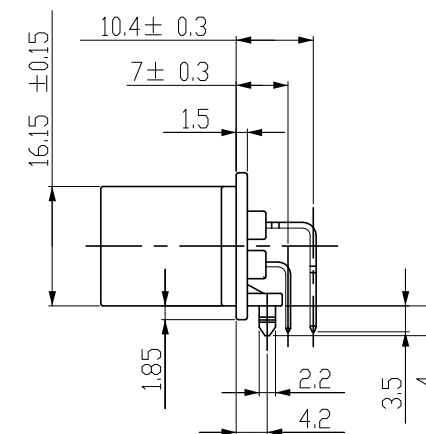
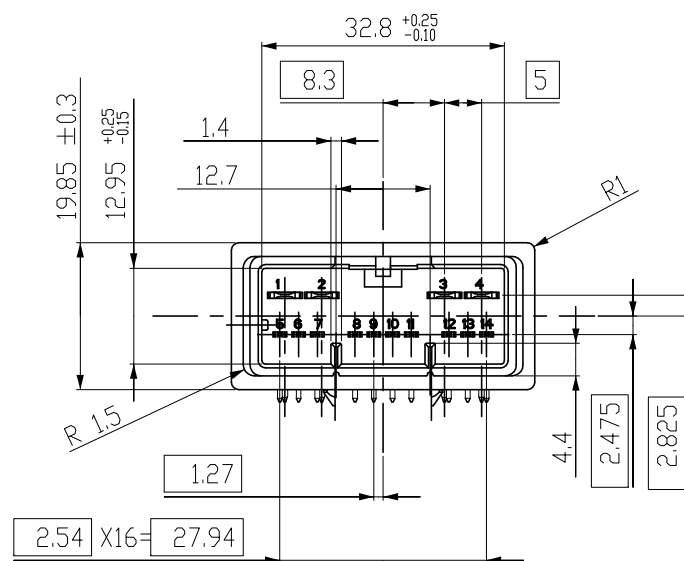
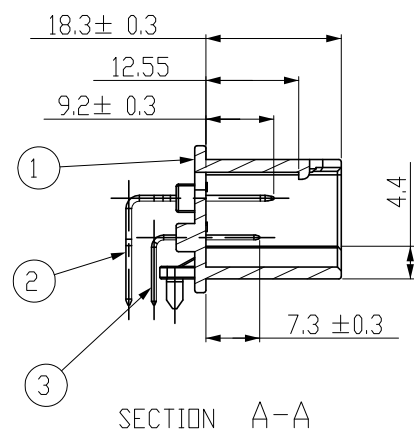
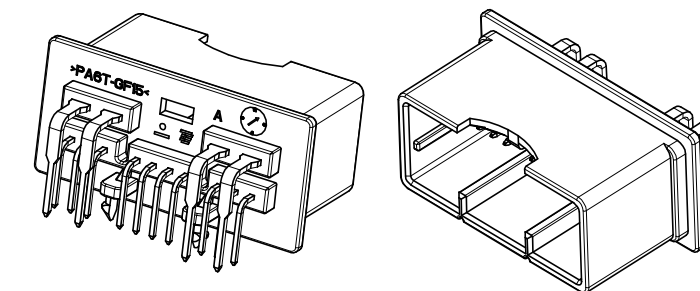
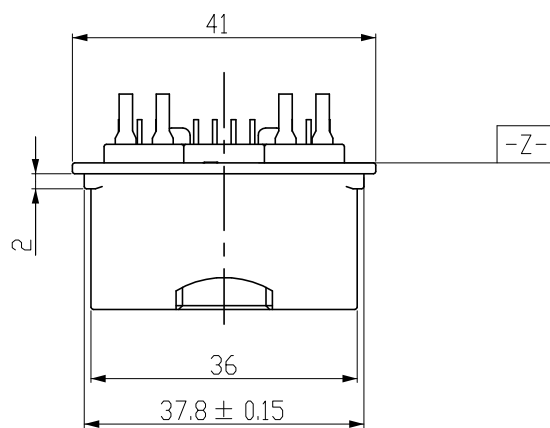
DIST -

REVISIONS

P	LTR	DESCRIPTION	DATE	DWN	APVD
	A	RELEASED	06.OCT'11	DG	HG



MOUNTIN DIMENSION FOR P.C.B.



NO.	COLOR	MATERIAL	DESCRIPTION	QTY
3	TIN PLATE	BRASS	025 TAB TERMINAL	10
2	TIN PLATE	BRASS	110 TAB TERMINAL	4
1	BLACK	PA6T-GF15	025/110 HYB 14P HSG	1

NOTE
 1. UNLESS OTHERWISE SPECIFIED, TOLERANCE ARE
 Over 0, Up to 5.0 : ±0.2
 Over 5.0 : ±0.3
 Angle : ±3°
 2. APPLICABLE P.C.B. THICKNESS : 1.6mm

THIS DRAWING IS A CONTROLLED DOCUMENT.		DWN DG JEONG			
DIMENSIONS: mm		CHK KT LIM			
TOLERANCES UNLESS OTHERWISE SPECIFIED:		APVD HG CHD		NAME	
0 PLC ±		PRODUCT SPEC -		025/110 HYB 14P HEADER ASS'Y FOR INALFA	
1 PLC ±		APPLICATION SPEC -		SIZE A3	
2 PLC ±		WEIGHT -		CAGE CODE 00779	
3 PLC ±		CUSTOMER DRAWING		DRAWING NO C=2005353	
4 PLC ±		SCALE 2:1		RESTRICTED TO -	
ANGLES ±		SHEET 1 OF 1		REV A	
FINISH -					