

4

3

2

1

THIS DRAWING IS UNPUBLISHED.

RELEASED FOR PUBLICATION

20

© COPYRIGHT 19

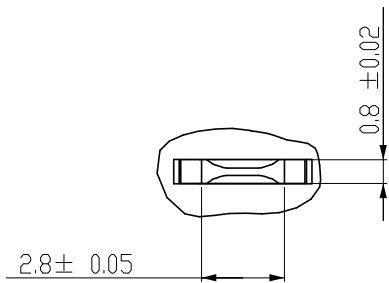
ALL RIGHTS RESERVED.

LOC  
DS

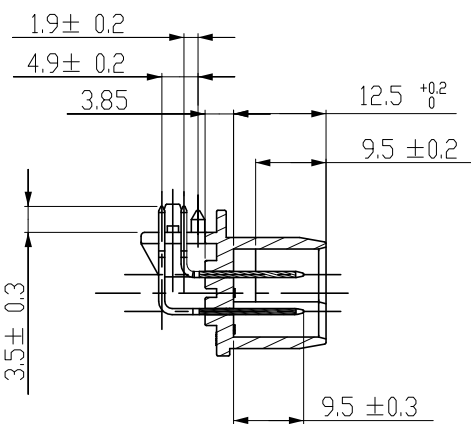
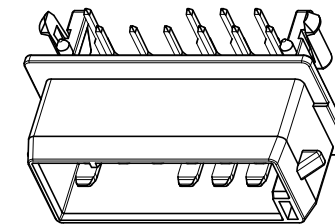
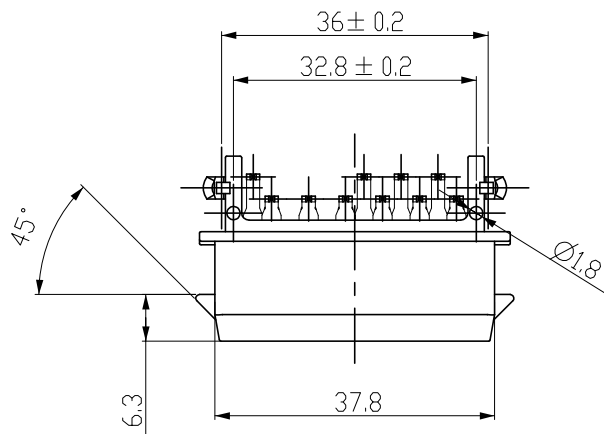
DIST  
-

REVISIONS

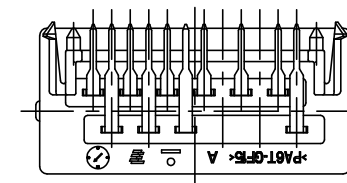
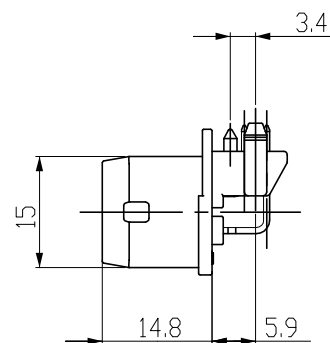
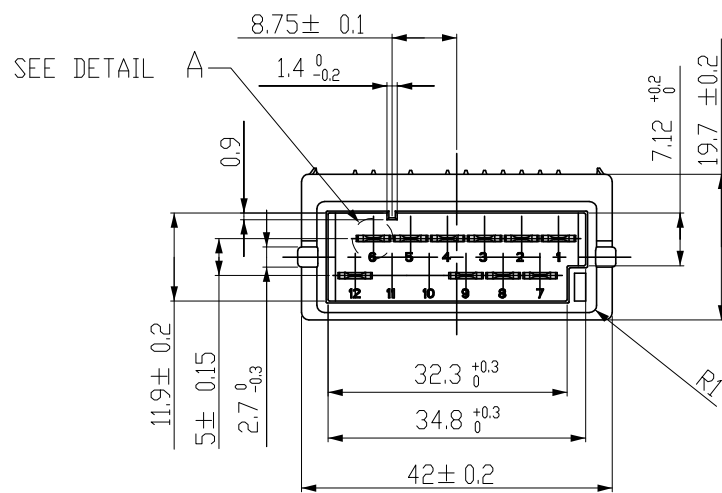
P	LTR	DESCRIPTION	DATE	DWN	APVD
	A	RELEASED	06.OCT'11	DG	HG



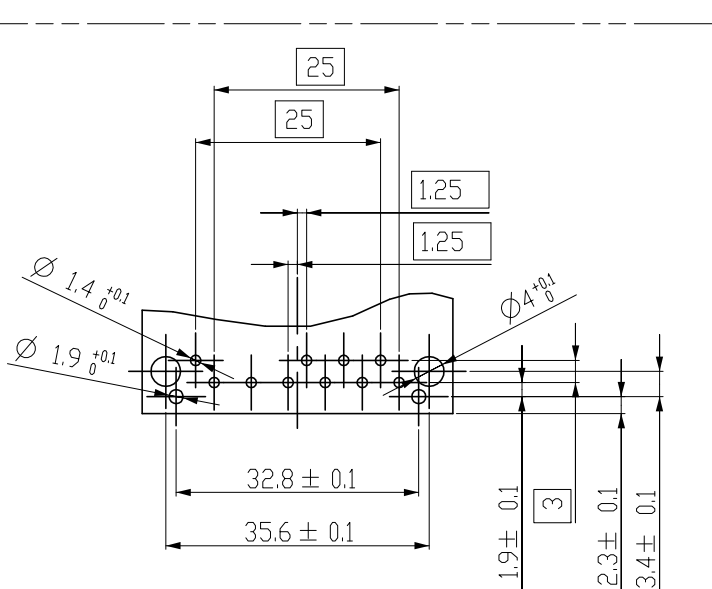
DETAIL A  
SCALE 4:1



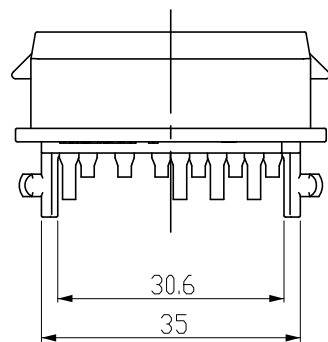
SECTION A-A



- UNLESS OTHERWISE SPECIFIED, TOLERANCE ARE  
Over 0, Up to 5.0 : ±0.2  
Over 5.0 : ±0.3  
Angle : ±3°
- APPLICABLE P.C.B. THICKNESS : 1.6mm



MOUNTING DIMENSION FOR P.C.B.



NO.	COLOR	MATERIAL	DESCRIPTION	QTY
3	TIN PLATE	BRASS	110 TAB TERMINAL(SHORT)	6
2	TIN PLATE	BRASS	110 TAB TERMINAL(LONG)	4
1	BLACK	PA6T-GF15	110 10P CAP HSG FOR RT	1

2005348-2  
ASSY P/N

110 10P HEADER ASSY FOR RT  
NAME

THIS DRAWING IS A CONTROLLED DOCUMENT.

DWN DG JEONG  
CHK KT LIM  
APVD HG CHD  
PRODUCT SPEC  
APPLICATION SPEC  
WEIGHT -

**TE** TE Connectivity

NAME  
.110 10P Header ass'y for RT

SIZE A3 CAGE CODE 00779 DRAWING NO C=2005348 RESTRICTED TO -

CUSTOMER DRAWING SCALE 1:1 SHEET 1 OF 1 REV A