

THIS DRAWING IS UNPUBLISHED.

RELEASED FOR PUBLICATION

20

LOC DS

DIST -

REVISIONS

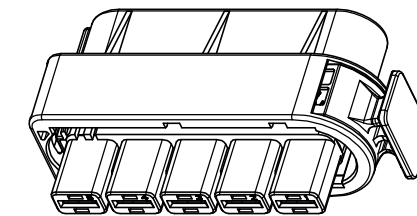
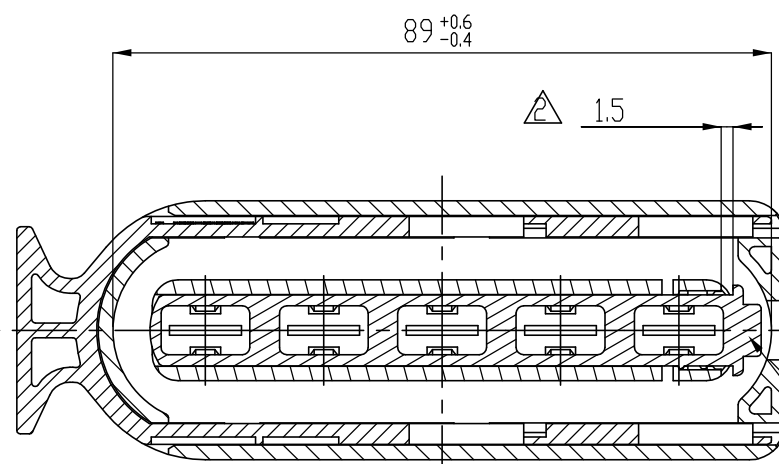
© COPYRIGHT 20

ALL RIGHTS RESERVED.

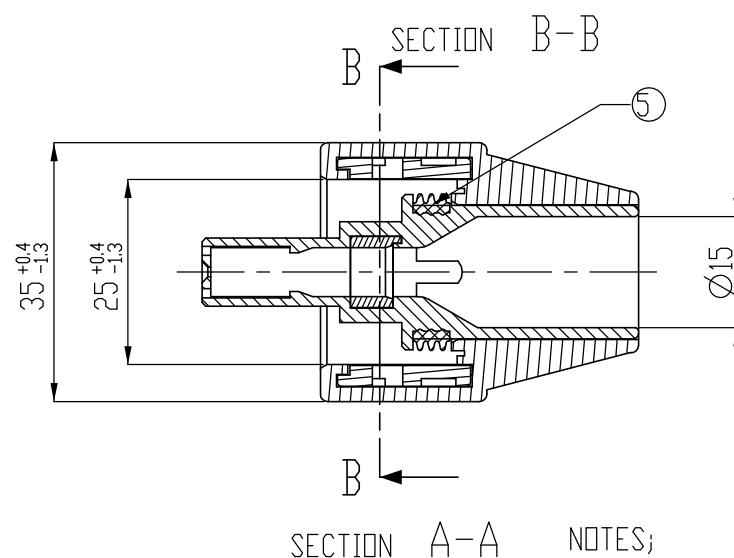
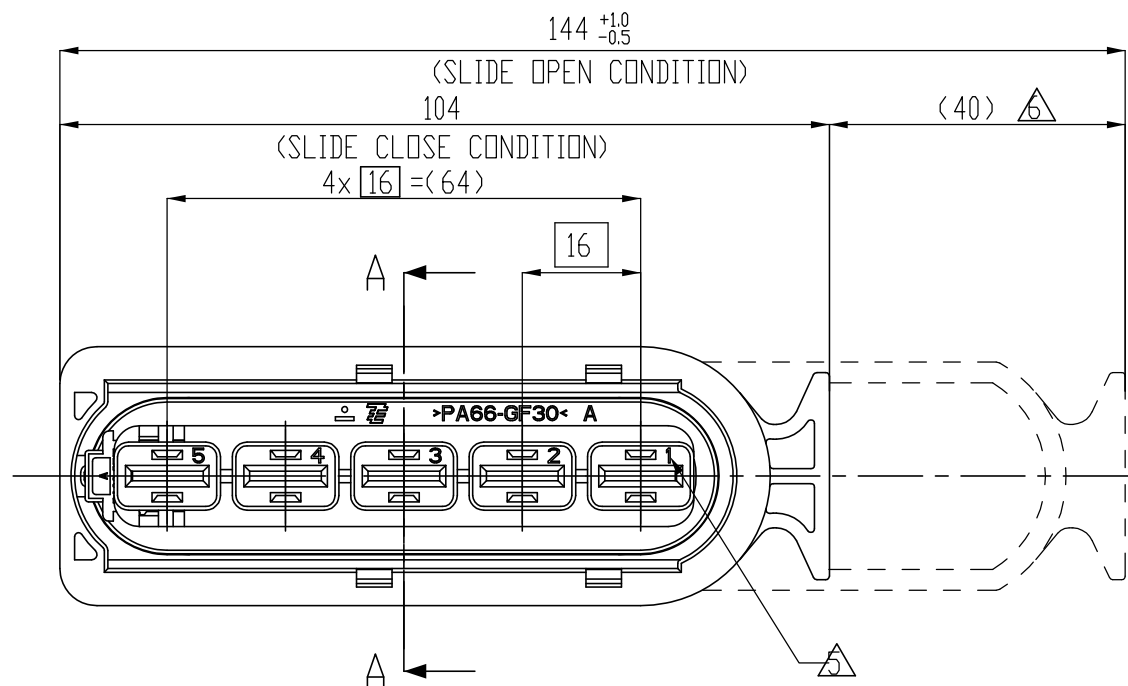
P	LTR	DESCRIPTION	DATE	DWN	APVD
	A	RELEASED	05.APR'10	DG	HG

TABLE 1.

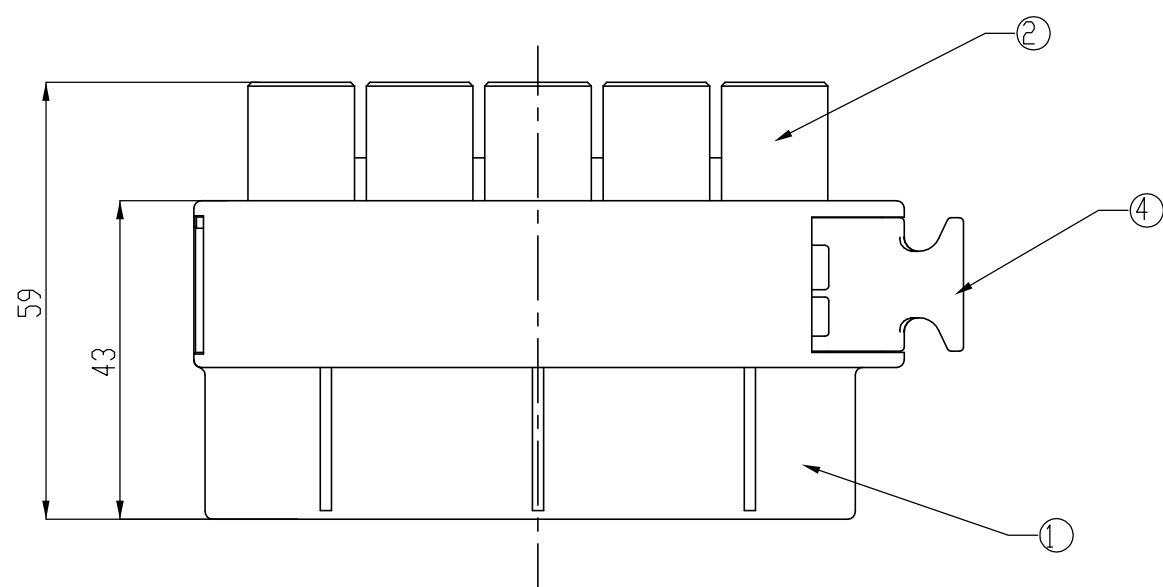
WIRE RANGE (mm ²)	INSULATION DIAMETER (mm)	SINGLE WIRE SEAL P/N	REC P/N
8.0 ~ 10.0	4.6 ~ 5.2	1355437-1	1-967590-1
	5.8 ~ 6.6	1355437-2	



ISD VIEW SCALE 1:2



- NOTES;
- 1. GENERAL TOLERANCE : ±0.5, ±3.0°
 - △ CONDITION OF DELIVERY : DBL IN 1ST LOCKING POSITION
 - 3. THE MATING HEADER ASS'Y P/N : 2005305
 - 4. APPLICABLE REC & SWS : SEE TABLE 1.
 - △ CIRCUIT NUMBER
 - △ TRAVEL DISTANCE OF SLIDE LEVER : 40mm



NO	P/N	DESCRIPTION	MATERIAL	COLOR	Q'TY
5	2005608-1	INNER SEAL	SILICON	ORANGE	1
4	2005311-2	SLIDE LEVER	PA66-GF30	BLACK	1
3	2005310-1	PLUG DBL	PA66-GF15	NATURAL	1
2	2005309-2	PLUG CAVITY HSG	PA66-GF30	BLACK	1
1	2005308-2	PLUG HSG	PA66-GF15	BLACK	1

ASS'Y P/N	DESCRIPTION
2005307-2	MCP 9.5mm SEALED 5P PLUG ASS'Y

THIS DRAWING IS A CONTROLLED DOCUMENT.

DIMENSIONS: mm

TOLERANCES UNLESS OTHERWISE SPECIFIED:

0 PLC	±
1 PLC	±0.5
2 PLC	±0.13
3 PLC	±0.013
4 PLC	±0.0001
ANGLES	±

MATERIAL: - FINISH: -

APPROVALS:

DWN	DG JEONG	-
CHK	JW JUNG	-
APVD	HG CHO	-

PRODUCT SPEC: - APPLICATION SPEC: - WEIGHT: -

CUSTOMER DRAWING

TE Connectivity

MCP 9.5MM SEALED 5P PLUG ASS'Y

SIZE: A3 CAGE CODE: 00779 DRAWING NO: C-2005307 RESTRICTED TO: -

SCALE: 1:1 SHEET: 1 OF 1 REV: A