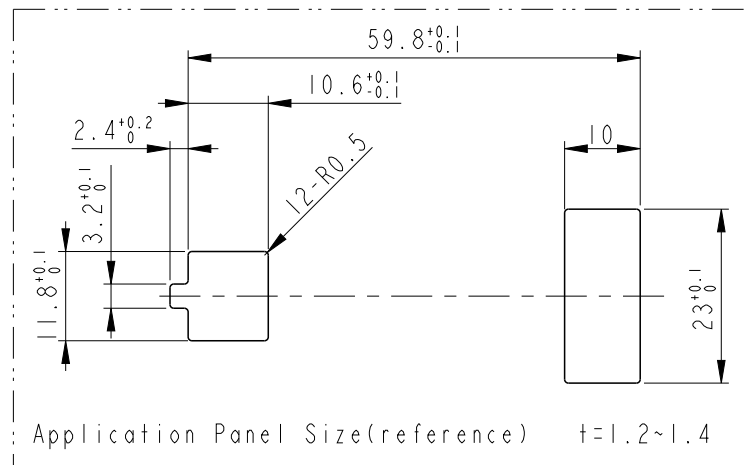
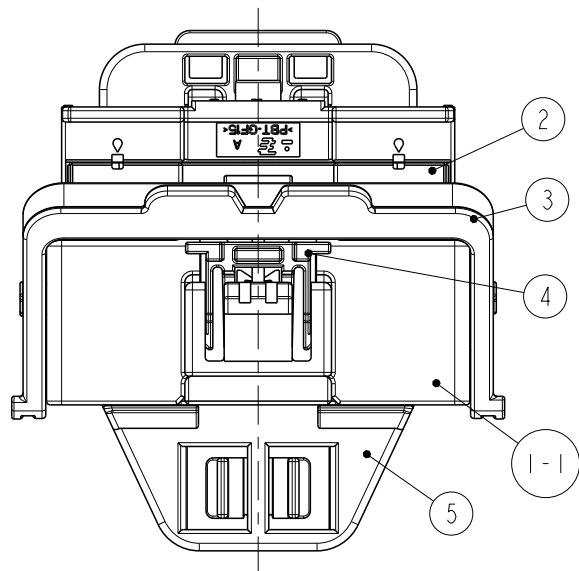
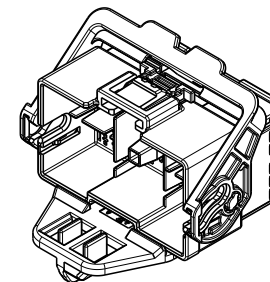
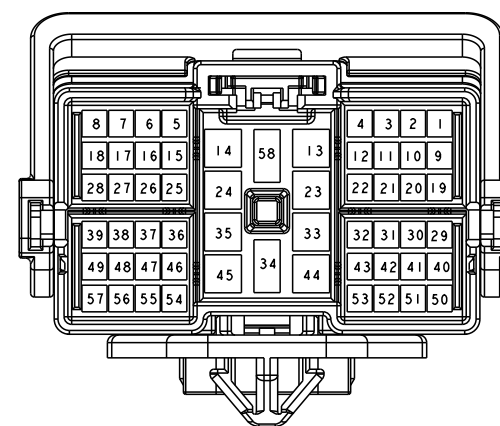


P	LTR	DESCRIPTION	DATE	DWN	APVD
C2		REVISED (ECR-13-014281)	11SEP2013	JY	HG
C3		REVISED (ECR-18-005962)	19APR2018	YH	YJ
D		REVISED (ECR-19-019508)	06FEB2020	JH	YJ
D1		REVISED (ECR-23-192695)	25OCT2023	YH	KT

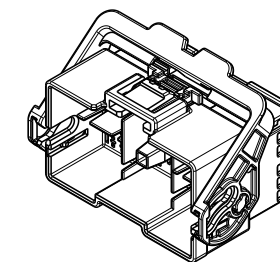
0,1,3-2005275-3
 (3-2005275-3 SUPERSEDES 0-2005275-3)



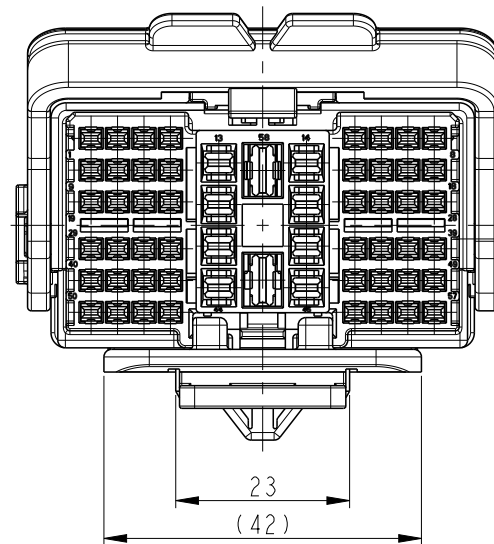
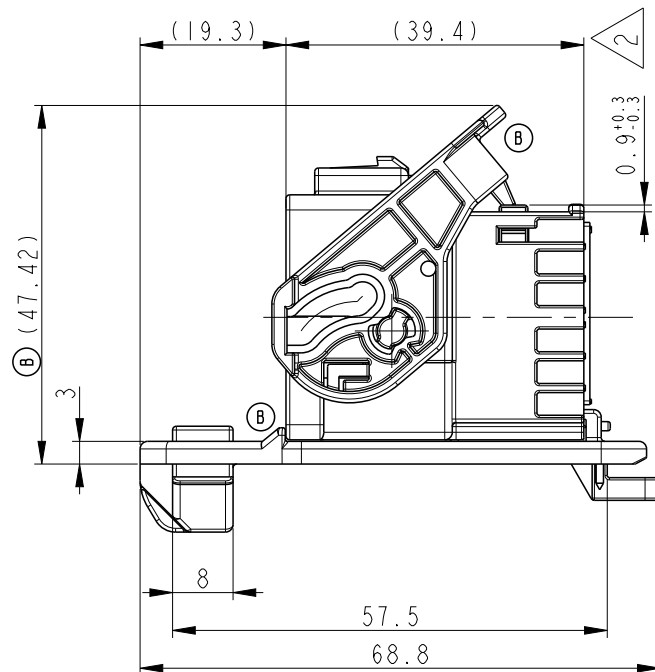
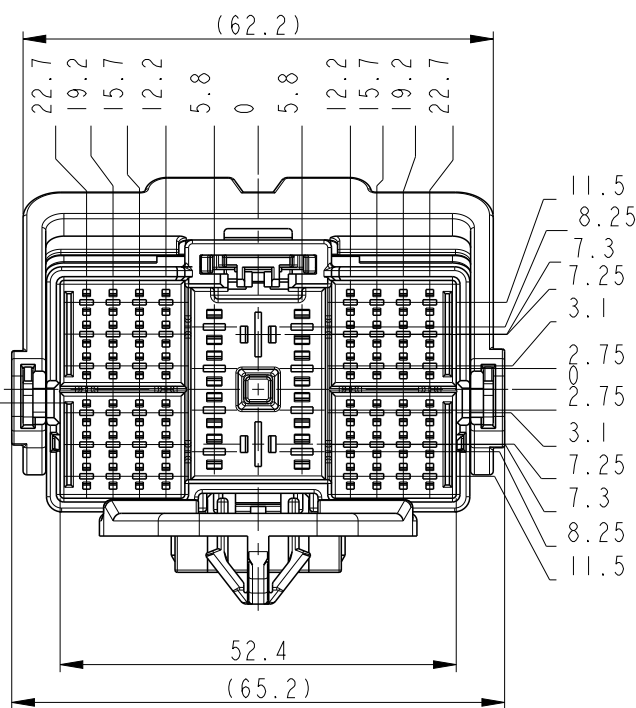
□T300 BODY-IP CONN. MALE HOUSING ASS'Y



0,3-2005275-3
ISOMETRIC VIEW
SCALE 1:2



1-2005275-3
ISOMETRIC VIEW
SCALE 1:2



NOTE,
 1. GENERAL TOLERANCE : ±0.5, ±3°
 2. CONDITION OF DELIVERY : DBL PLATE IN OPEN POSITION.
 3. APPLIED REC. CONTACT P/N:SEE TABLE I
 4. SUITABLE MATING PLUG P/N : 2005281

NO	FINISH/COLOR	MATERIAL	DESCRIPTION	Q'TY
8	BLACK	PA66	CLIP HSG	-
7	BLACK	E-PDM	ADHESIVE PAD	-
6	BLACK	PBT-GF20	MNTG CLIP HSG	-
5	GRAY	PA66-GF15	58P BRACKET HSG	-
4	RED	PBT-GF15	58P CPA HSG	1
3	BLACK	PBT-GF15	58P LEVER HSG	1
2	NATURAL	PBT-GF15	58P DBL HSG	1
1-3			58P CAP HSG	1
1-2	GRAY	PBT-GF15	58P CAP HSG	-
1-1			58P CAP HSG	-

DI	D	D	C3	C1	D
5-2005275-3	ACTIVE CLIP				
4-2005275-3	SUPERSEDE 2109050-3				
3-2005275-3	SUPERSEDE 2005275-3				
2-2005275-3					
1-2005275-3					
2005275-3	OBSOLETE				
	REMARK				

TABLE I.

	PART NO.	WIRE SIZE(mm ²)	INSULATIONØ (mm)
MTIII	964265-2	0.2~0.35	1.15~1.6
MODIFY SPRING	964267-2	0.5~1.0	1.4~2.1
JPT	2-964294-1	0.5~1.0	1.4~2.1
MODIFY SPRING	2-964296-1	1.25~2.5	2.2~3.0
SPT	(C2)964306-1	>1.0~2.5	2.0~3.0
MODIFY SPRING	964308-1	2.5~4.0	3.3~4.5

THIS DRAWING IS A CONTROLLED DOCUMENT.

DIMENSIONS: mm	TOLERANCES UNLESS OTHERWISE SPECIFIED: 0 PLC ± 1 PLC ± 2 PLC ± 3 PLC ± 4 PLC ± ANGLES ± FINISH -	SEE NOTE
MATERIAL TBD SEE NOTE		

DWN YH MA	
CHK KT LIM	
APVD HG CHO	
PRODUCT SPEC	
APPLICATION SPEC	
411-61048	
WEIGHT	
CUSTOMER DRAWING	

STE TE Connectivity

NAME: MT III/JPT/SPT HYB 58P CAP ASS'Y

SIZE: A3 CAGE CODE: 00779 DRAWING NO: C-2005275 RESTRICTED TO: []

SCALE: 1:1 SHEET: 1 OF 3 REV: D1

THIS DRAWING IS UNPUBLISHED.

RELEASED FOR PUBLICATION

20

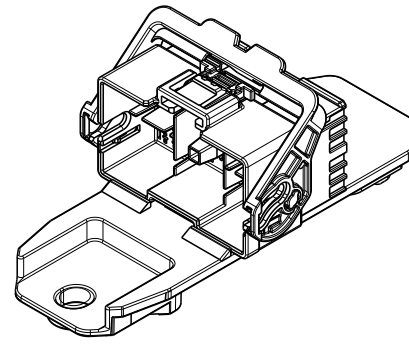
© COPYRIGHT 20 BY -

ALL RIGHTS RESERVED.

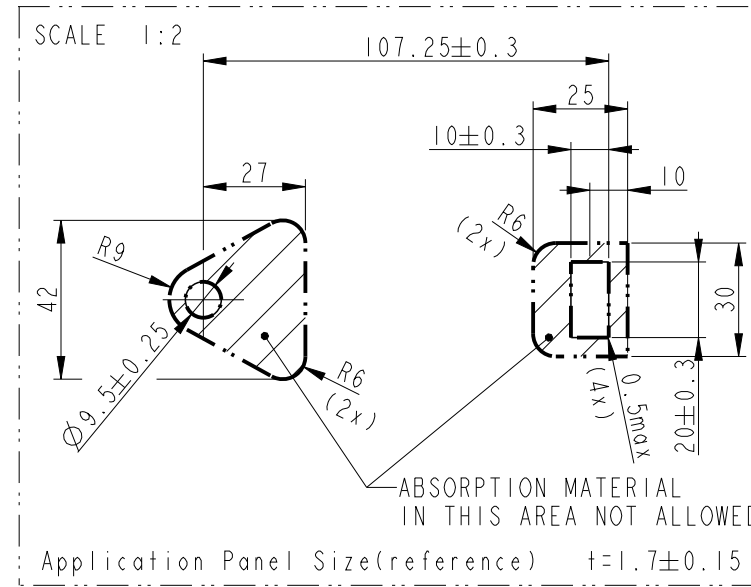
REVISIONS

P	LTR	DESCRIPTION	DATE	DWN	APVD
		SEE SHEET 1			

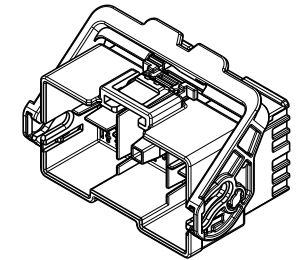
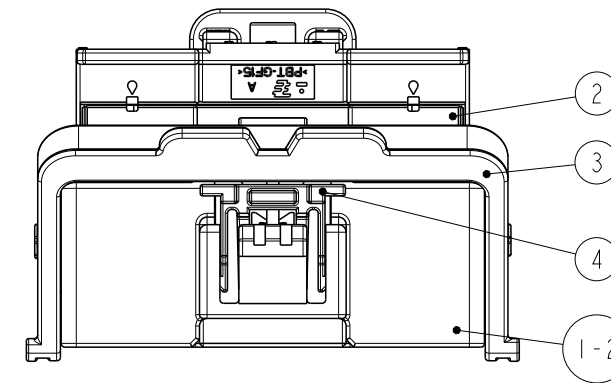
2-2005275-3



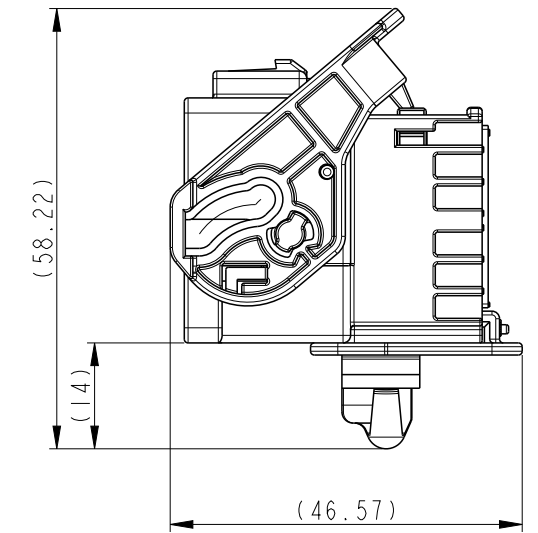
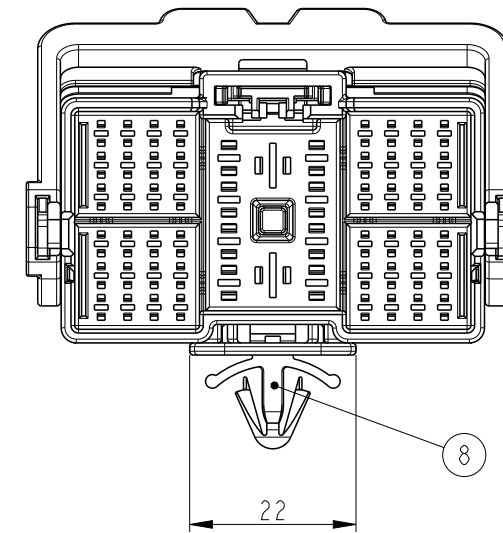
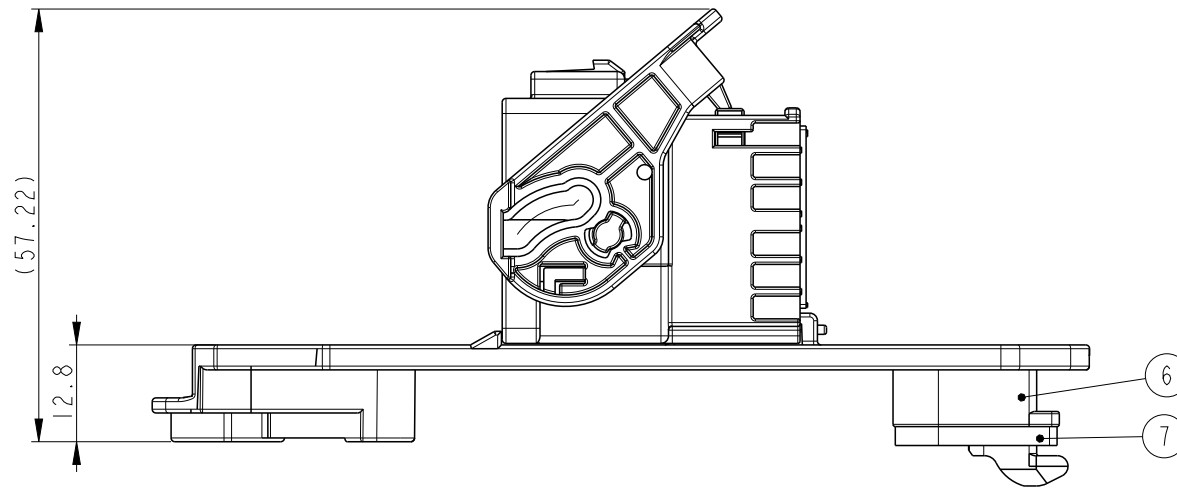
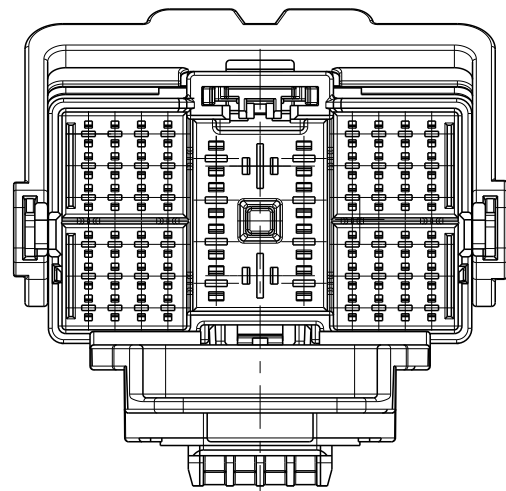
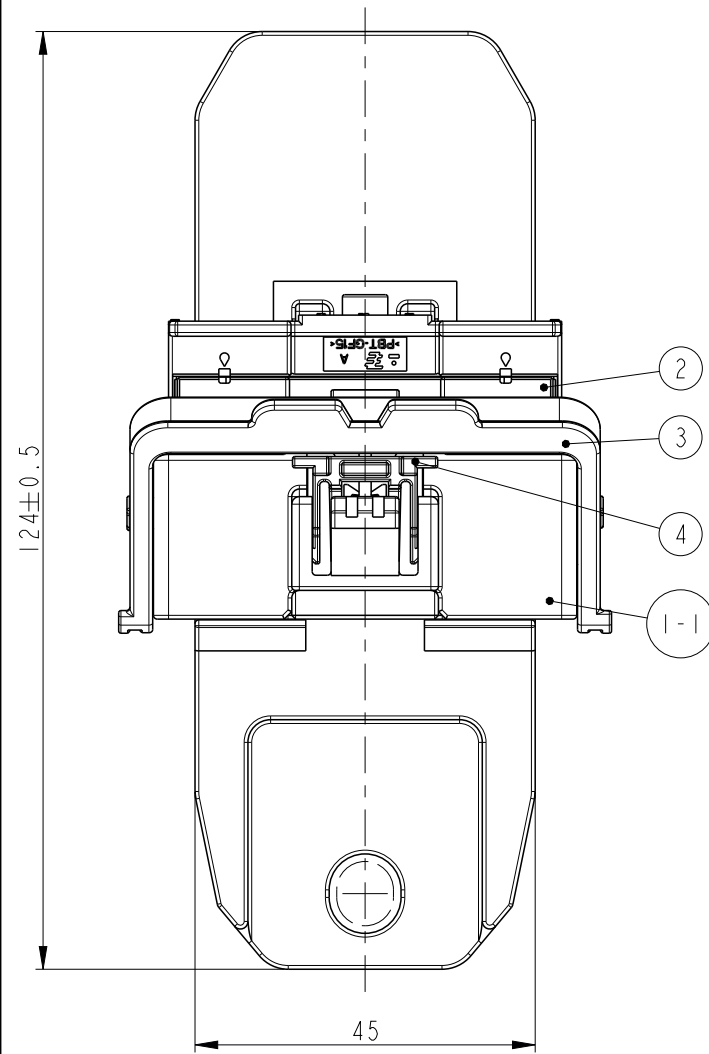
2-2005275-3 ISOMETRIC VIEW SCALE 1:2



4-2005275-3 (SUPERSEDES 2109050-3)



4-2005275-3 ISOMETRIC VIEW SCALE 1:2



THIS DRAWING IS A CONTROLLED DOCUMENT.

DIMENSIONS: mm		TOLERANCES UNLESS OTHERWISE SPECIFIED:	
	0 PLC	±	SEE NOTE
	1 PLC	±	
	2 PLC	±	
	3 PLC	±	
	4 PLC	±	
MATERIAL		FINISH	±

DWN	YH MA
CHK	KT LIM
APVD	HG CHO
PRODUCT SPEC	
APPLICATION SPEC	
WEIGHT	
CUSTOMER DRAWING	



NAME MT III/JPT/SPT HYB 58P CAP ASS'Y

SIZE	CAGE CODE	DRAWING NO	RESTRICTED TO
A3	00779	C-2005275	
SCALE 1:1		SHEET 2 OF 3	REV DI

THIS DRAWING IS UNPUBLISHED.

RELEASED FOR PUBLICATION

20

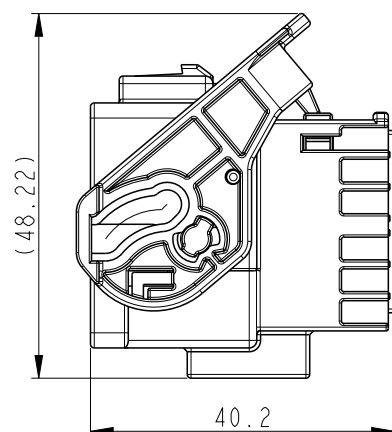
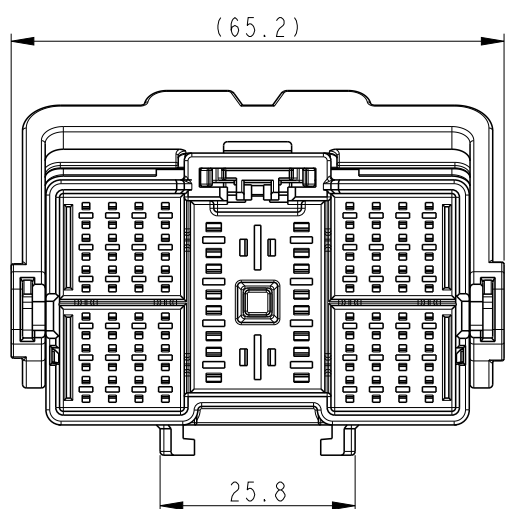
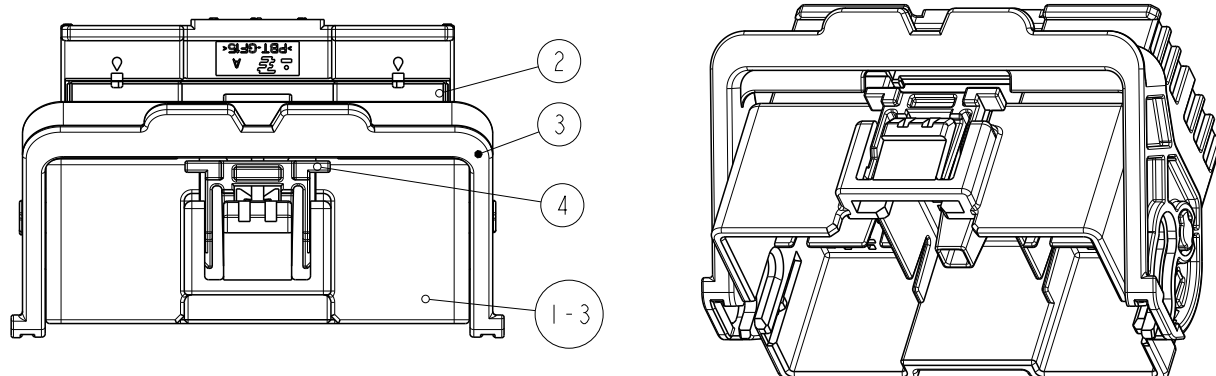
© COPYRIGHT 20 BY -

ALL RIGHTS RESERVED.

REVISIONS

P	LTR	DESCRIPTION	DATE	DWN	APVD
		SEE SHEET 1			

DI 5-2005275-3



NOTE :

- 1. APPLIED CLIP PART NUMBER : 13514575 (APTIVE)
- 2. DRAWING NUMBER : 13608550 (APTIVE)

THIS DRAWING IS A CONTROLLED DOCUMENT.

DIMENSIONS: mm	TOLERANCES UNLESS OTHERWISE SPECIFIED: 0 PLC ± 1 PLC ± 2 PLC ± 3 PLC ± 4 PLC ± ANGLES ± FINISH -	SEE NOTE
MATERIAL TBD		

DWN YH MA	-
CHK KT LIM	-
APVD HG CHO	-
PRODUCT SPEC	-
APPLICATION SPEC	-
WEIGHT	-
CUSTOMER DRAWING	-



NAME MT III/JPT/SPT HYB 58P CAP ASS'Y		RESTRICTED TO	
SIZE A3	CAGE CODE 00779	DRAWING NO C-2005275	
SCALE 1:1	SHEET 3 OF 3	REV DI	