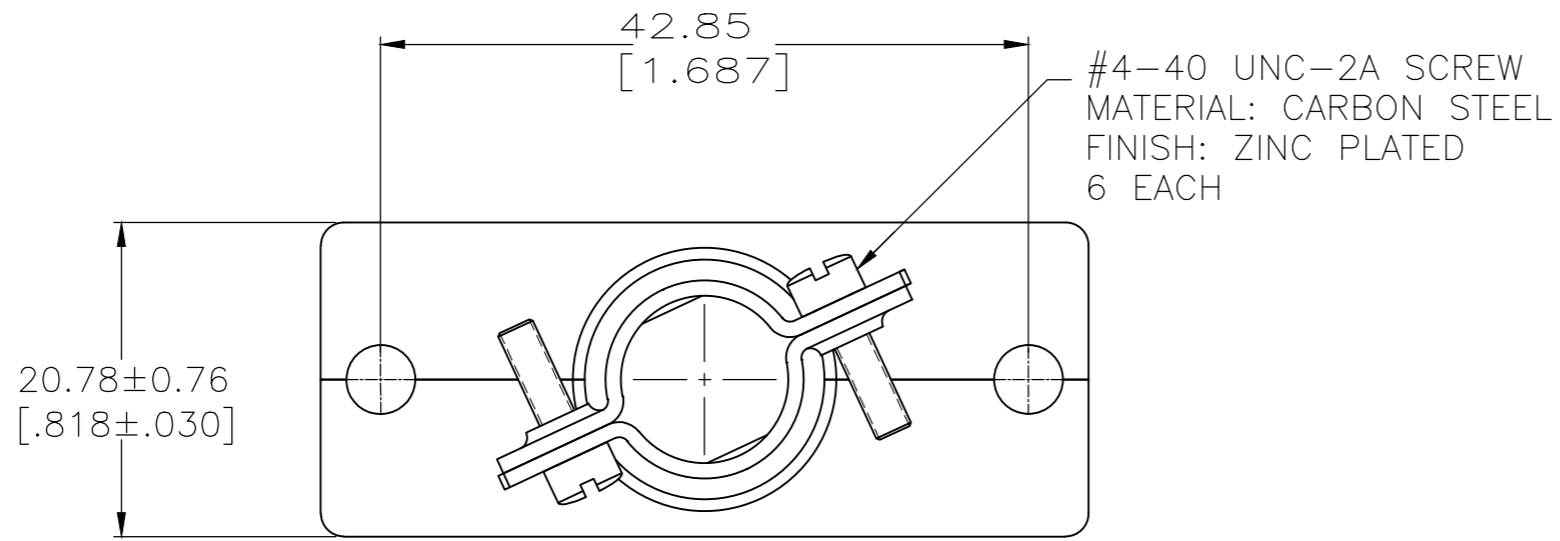
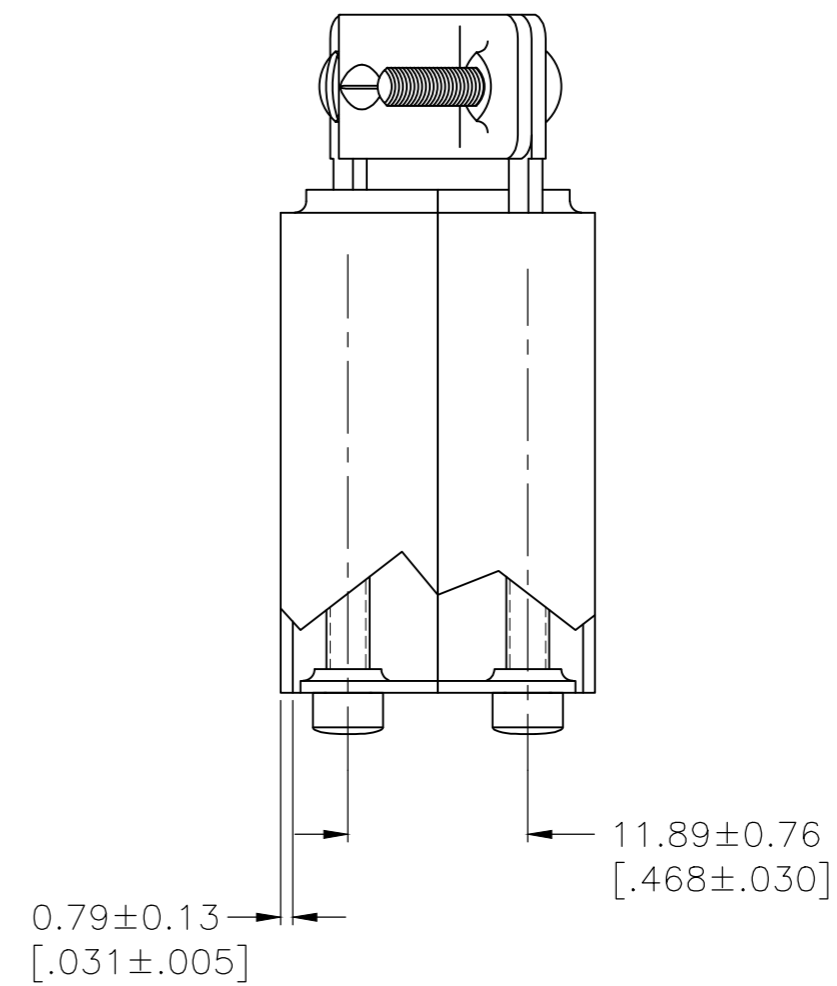
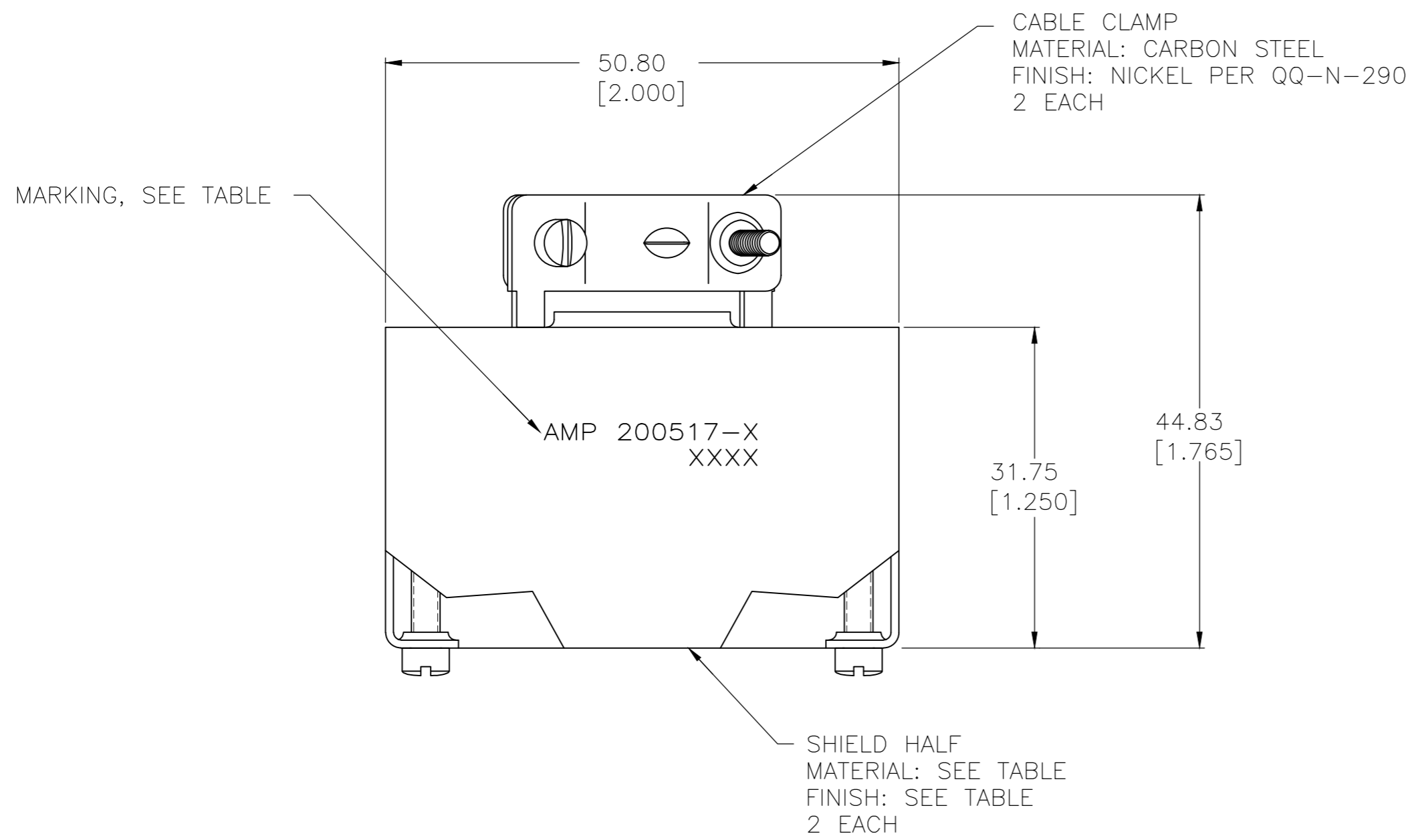


THIS DRAWING IS UNPUBLISHED. RELEASED FOR PUBLICATION
 © COPYRIGHT - By - ALL RIGHTS RESERVED.

REVISIONS					
P	LTR	DESCRIPTION	DATE	DWN	APVD
AD		REVISED PER ECO-18-007225	18MAY2018	KH	MZ



- ① AMP, PART NUMBER AND DATE CODE, BLACK INK STAMPED OR LASER MARKED ON (1) OR BOTH SIDES.
- ② HEXAVALENT CHROMATE COATING.
- ③ NON-HEXAVALENT CHROMATE COATING.
- ④ OBSOLETE PARTS: OBSOLETE CIS STREAMLINING PER D.RENAUD/D.SINISI



NOTES	CABLE RANGE DIA	MARKING	FINISH	MATERIAL	PART NUMBER
③	11.05-13.84 [.435-.545]	①	NICKEL PER QQ-N-290	CARBON STEEL	200517-9
④ OBSOLETE	② 7.62-11.43 [.300-.450]	①	NICKEL PER QQ-N-290	CARBON STEEL	200517-8
④ OBSOLETE	② 11.05-13.84 [.435-.545]	-	CLEAR ANODIZED	ALUMINUM ALLOY	200517-7
OBSOLETE	② 11.05-13.84 [.435-.545]	①	NICKEL PER QQ-N-290	CARBON STEEL	200517-2
	② 11.05-13.84 [.435-.545]	①	CLEAR ANODIZED	ALUMINUM ALLOY	200517-1

THIS DRAWING IS A CONTROLLED DOCUMENT.		DWN K.FOLTZ 01/23/95	TE Connectivity Ltd.	
DIMENSIONS: mm [INCHES]		CHK R.STONE 01/24/95		
TOLERANCES UNLESS OTHERWISE SPECIFIED:		APVD -	NAME SHIELD KIT, UNASSEMBLED, SHORT, 34 POSITION, M SERIES	
0 PLC ± - 1 PLC ± - 2 PLC ± 0.38 [.015] 3 PLC ± - 4 PLC ± - ANGLES ± -		PRODUCT SPEC -	SIZE A2	
MATERIAL SEE CALLOUTS		APPLICATION SPEC -	CAGE CODE 00779	DRAWING NO C=200517
FINISH SEE CALLOUTS		WEIGHT 0	SCALE 2:1	SHEET 1 of 1
		CUSTOMER DRAWING	REV AD	