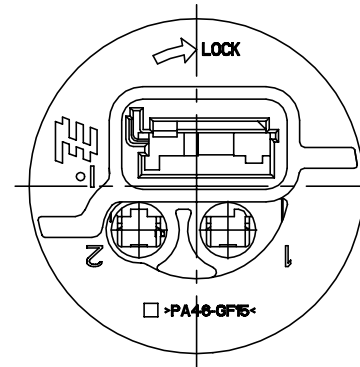
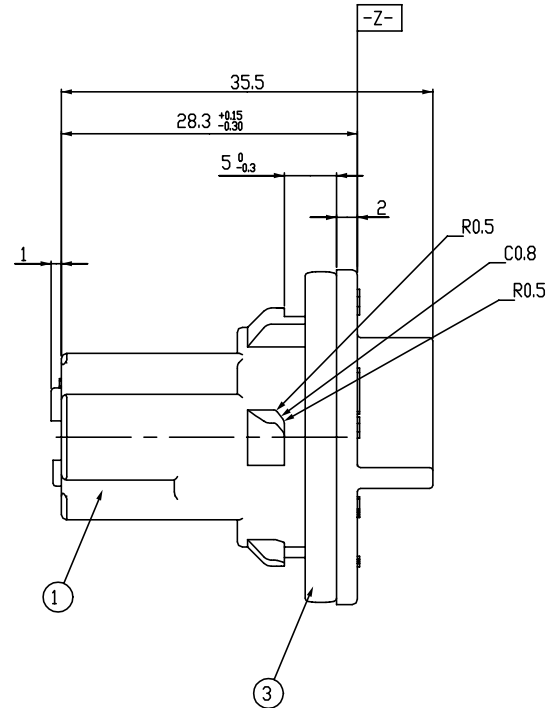
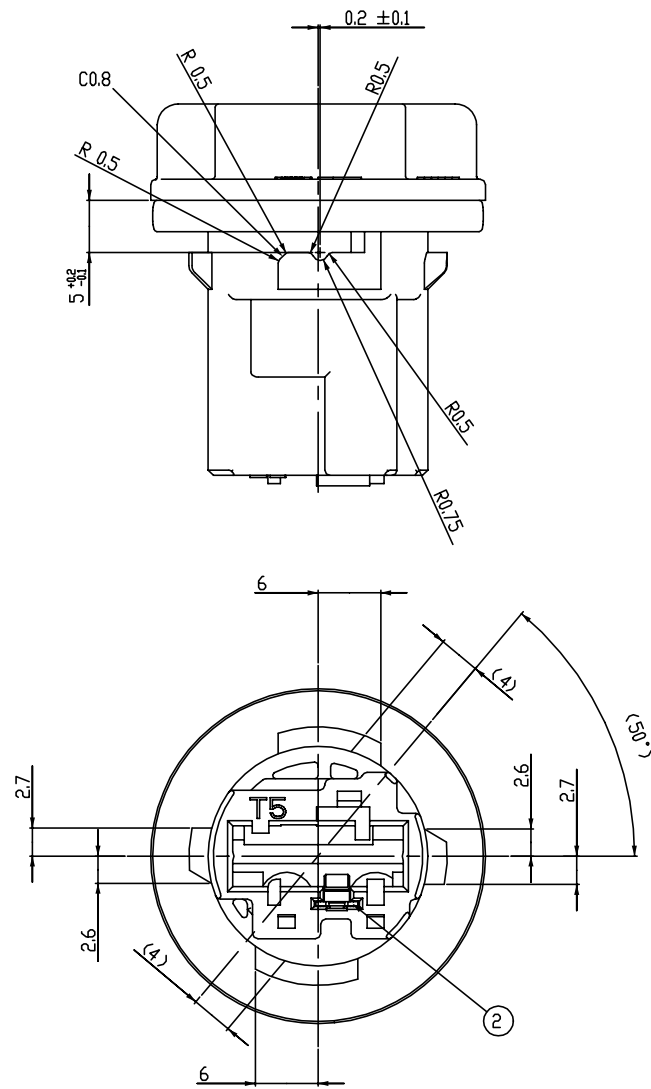


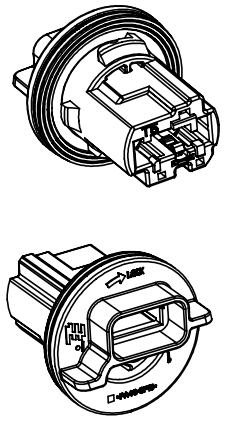
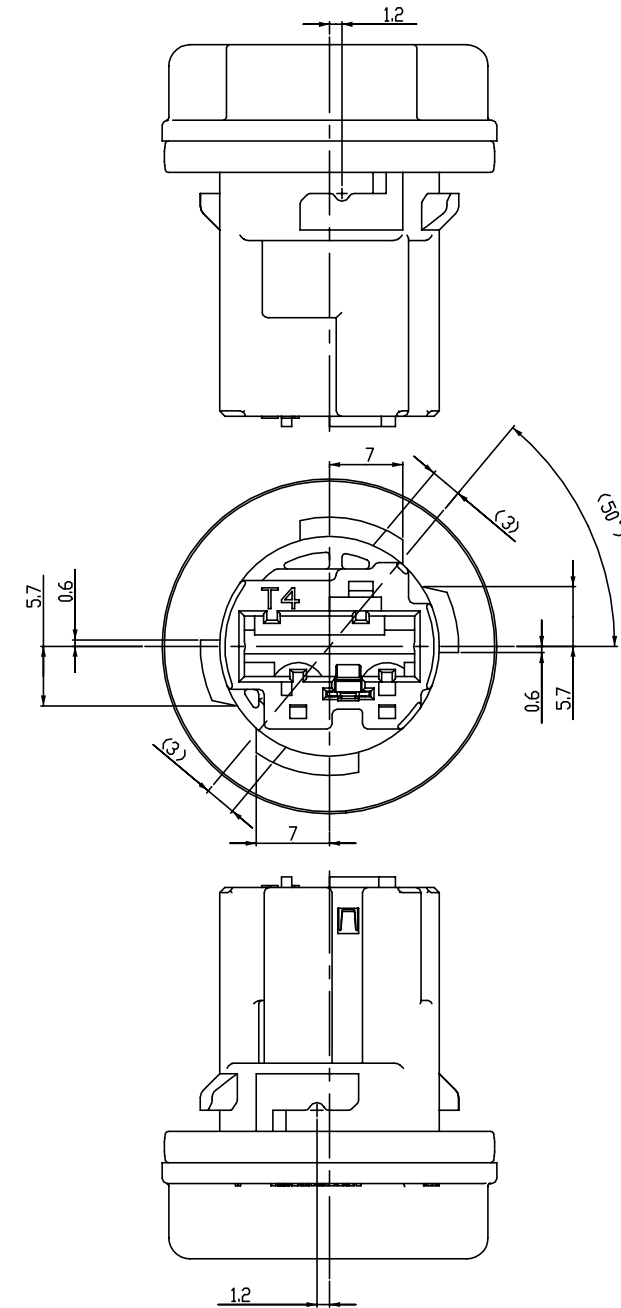
THIS DRAWING IS UNPUBLISHED. RELEASED FOR PUBLICATION  
 © COPYRIGHT copyright\_date BY TYCO ELECTRONICS CORPORATION. ALL RIGHTS RESERVED.

LDC	DIST	REVISIONS					
		P	LTR	DESCRIPTION	DATE	DWN	APVD
DS	-	B4		REVISED (ECR-16-006852)	11.MAY'16	YH	KT
		B5		REVISED (ECR-21-120229)	09.NOV'21	YH	YJ

### T5 TYPE: AMBER SINGLE



### T4 TYPE: CLEAR DOUBLE



SCALE 1:1

NOTE  
 1. GENERAL TOLERANCE: ±0.3, ±3°  
 2. THIS BULB HOLDER ASS'Y IS USED WITH:  
 RECEPTACLE TERMINAL TE P/N 2005163-1/2  
 GROUND TERMINAL TE P/N 2005164-1

NO	SOCKET HOLE TYPE	COLOR	MATERIAL	DESCRIPTION	QTY
3	-	GREY	SILICONE	O-RING	1 1 1 1
2	-	-	SUS301	LOCK PLATE	1 1 1 1
1	T4	BLACK	PA46-GF15	BULB HSG(CLEAR DOUBLE)	1 - - -
		NATURAL	PA46-GF15	BULB HSG(CLEAR DOUBLE)	- 1 - -
1	T5	BLACK	PA46-GF15	BULB HSG(AMBER SINGLE)	- - 1 -
		NATURAL	PA46-GF15	BULB HSG(AMBER SINGLE)	- - - 1

DESCRIPTION	P/N
BULB ASSY(T4-41MM)-BLACK	2-2005161-2
BULB ASSY(T4-41MM)-NATURAL	2-2005161-1
BULB ASSY(T5-41MM)-BLACK	0-2005161-2
BULB ASSY(T5-41MM)-NATURAL	0-2005161-1

THIS DRAWING IS A CONTROLLED DOCUMENT FOR TYCO ELECTRONICS CORPORATION. IT IS SUBJECT TO CHANGE AND THE CONTROLLING ENGINEERING ORGANIZATION SHOULD BE CONTACTED FOR THE LATEST REVISION.

DIMENSIONS: M/M	TOLERANCES UNLESS OTHERWISE SPECIFIED	DWN YH KIM	CHK DG JEONG	APVD KT LIM	NAME
0 PLC ± -	1 PLC ± 0.5	PRODUCT SPEC	APPLICATION SPEC	WEIGHT	SIZE
2 PLC ± 0.13	3 PLC ± 0.013	FINISH	CUSTOMER DRAWING	SCALE 2:1	SHEET 1 OF 4
4 PLC ± 0.0001	ANGLES ± -	SEE TABLE		RESTRICTED TO	REV B5

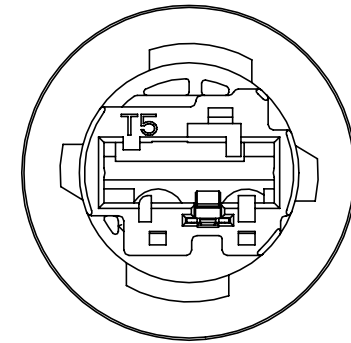
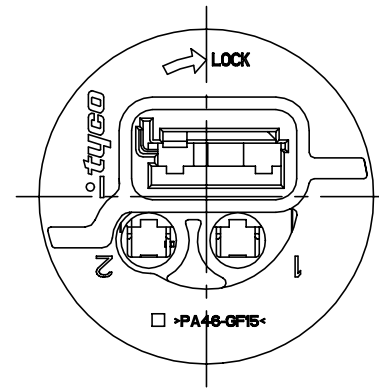
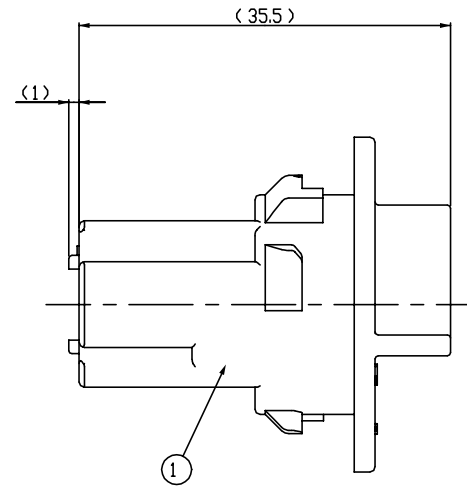
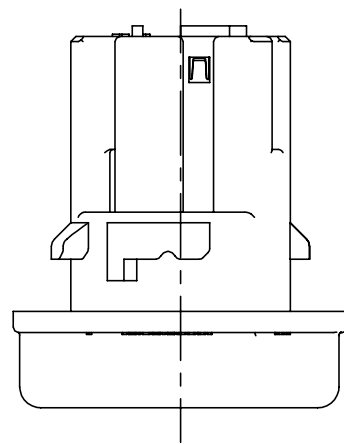
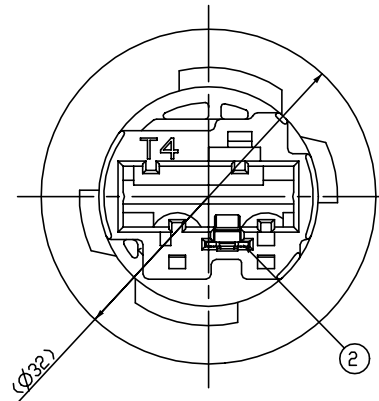
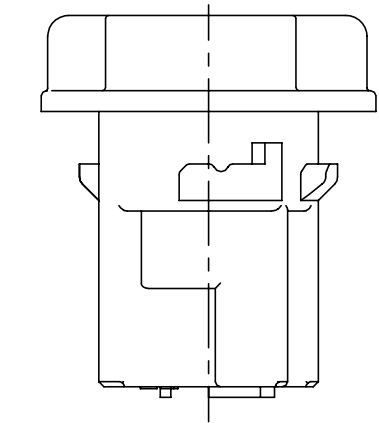
**STE** TE Connectivity  
 BULB HOLDER ASSY FOR T-20(41MM TYPE)  
 A2 00779 ©=2005161

THIS DRAWING IS UNPUBLISHED. RELEASED FOR PUBLICATION  
 © COPYRIGHT copyright\_date BY TYCO ELECTRONICS CORPORATION. ALL RIGHTS RESERVED.

LDC	DIST	REVISIONS					
		P	LTR	DESCRIPTION	DATE	DWN	APVD
DS	-						

**T4 TYPE: CLEAR DOUBLE - NON ORING**  
 MISSING DIMENSION, SEE SHEET 1

**T5 TYPE: AMBER SINGLE-NON ORING**  
 MISSING DIMENSION, SEE SHEET 1 OF 2



DESCRIPTION	P/N
BULB ASSY(T5-41MM-NDN DRING)-BLACK	4-2005161-2
BULB ASSY(T5-41MM-NDN DRING)-NATURAL	4-2005161-1
BULB ASSY(T4-41MM-NDN DRING)-BLACK	3-2005161-2
BULB ASSY(T4-41MM-NDN DRING)-NATURAL	3-2005161-1

NO	SOCKET HOLE TYPE	COLOR	MATERIAL	DESCRIPTION	QTY
3	-	-	SUS301	LOCK PLATE	1 1 1 1
1	T5	BLACK	PA46-GF15	BULB HSG(CLEAR DOUBLE)	1 - - -
		NATURAL	PA46-GF15	BULB HSG(CLEAR DOUBLE)	- 1 - -
1	T4	BLACK	PA46-GF15	BULB HSG(CLEAR DOUBLE)	- - 1 -
		NATURAL	PA46-GF15	BULB HSG(CLEAR DOUBLE)	- - - 1

THIS DRAWING IS A CONTROLLED DOCUMENT FOR TYCO ELECTRONICS CORPORATION. IT IS SUBJECT TO CHANGE AND THE CONTROLLING ENGINEERING ORGANIZATION SHOULD BE CONTACTED FOR THE LATEST REVISION.

**TE Connectivity**

**BULB HOLDER ASSY FOR T-20(41MM TYPE)**

SIZE: A2 CAGE CODE: 00779 DRAWING NO: C=2005161 RESTRICTED TO: -

CUSTOMER DRAWING SCALE: 2:1 SHEET 2 OF 4 REV B5

DIMENSIONS: M/M TOLERANCES UNLESS OTHERWISE SPECIFIED:  
 0 PLC ±  
 1 PLC ±0.5  
 2 PLC ±0.13  
 3 PLC ±0.013  
 4 PLC ±0.0001  
 ANGLES ±

MATERIAL FINISH

DWN -  
 CHK - SEE SHEET 1 OF 3  
 APVD -  
 PRODUCT SPEC -  
 APPLICATION SPEC -  
 WEIGHT -

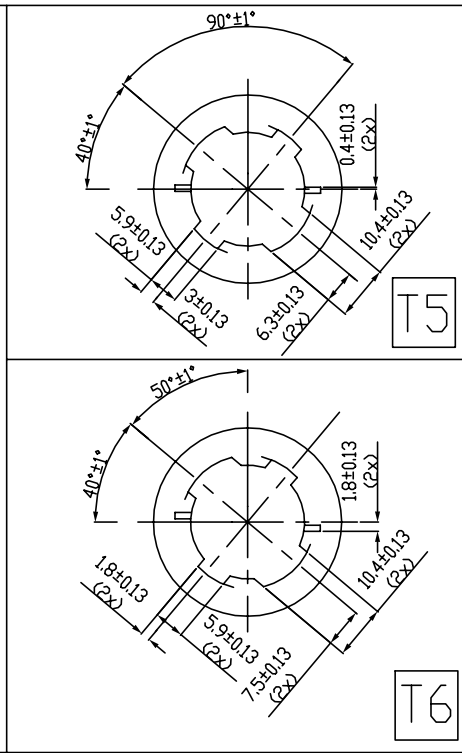
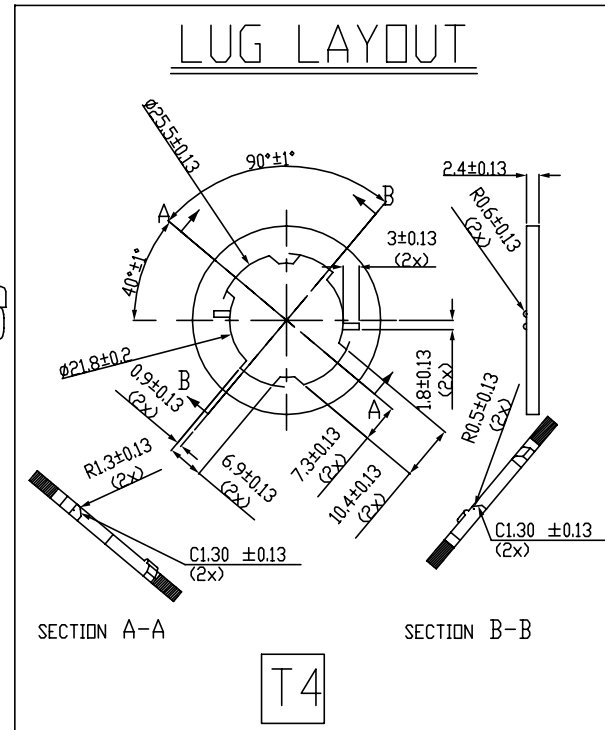
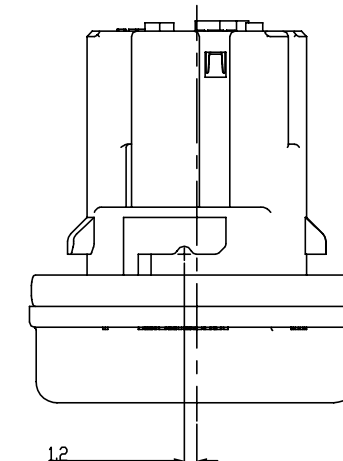
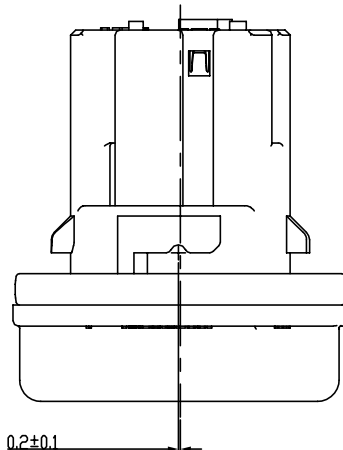
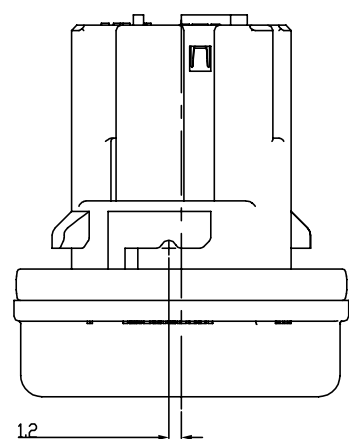
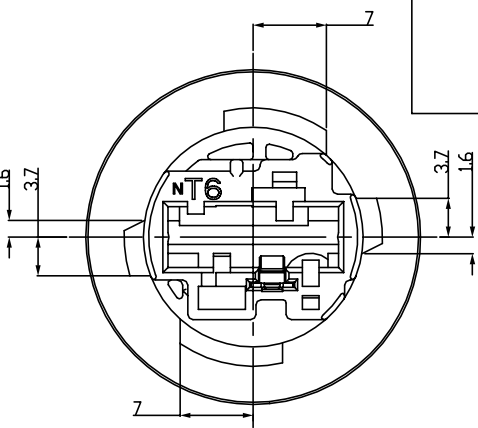
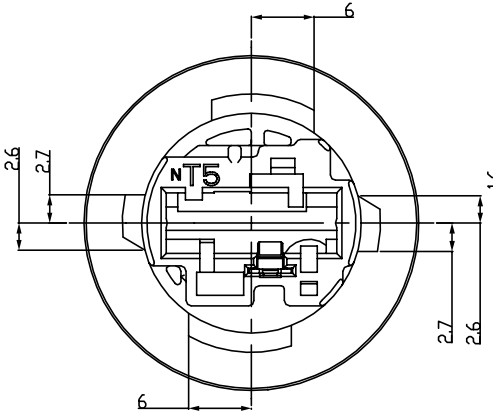
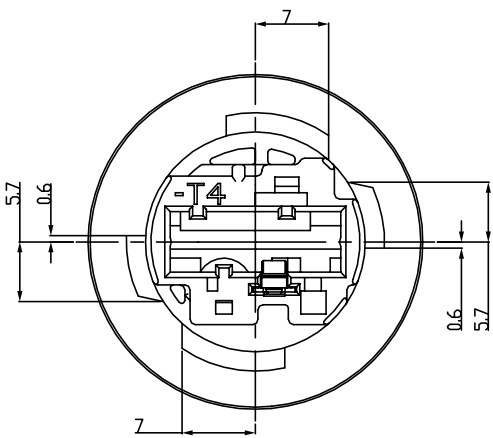
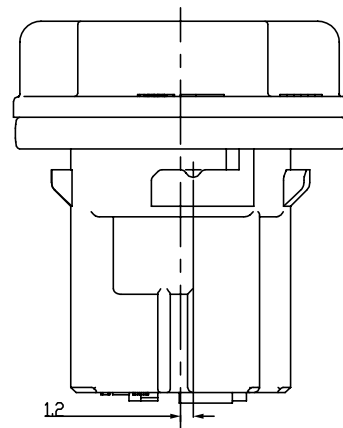
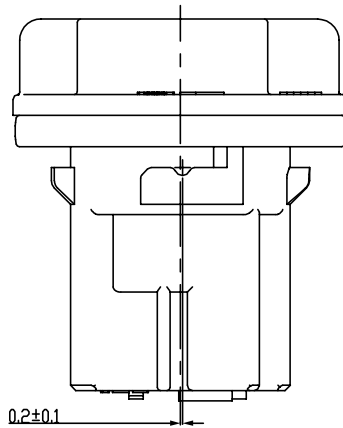
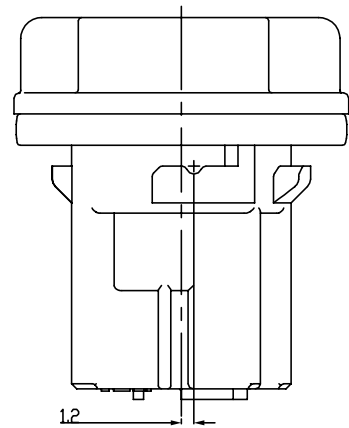
THIS DRAWING IS UNPUBLISHED. RELEASED FOR PUBLICATION  
 © COPYRIGHT copyright\_date ALL RIGHTS RESERVED.

LDC		DIST		REVISIONS			DATE	DWN	APVD
DS	-	P	LTR	DESCRIPTION					

ⓑ -T4

ⓑ NEW T5

ⓑ NEW T6



NOTE  
 1. MISSING DIMSION : SEE 0-2005161-X

P/N	DESCRIPTION	QTY
8-2005161-2	BULB ASSY(CLEAR SINGLE-W21W)-BLACK	1
8-2005161-1	BULB ASSY(CLEAR SINGLE-W21W)-NATURAL	1
9-2005161-2	BULB ASSY(CLEAR SINGLE W21/5W)	1
9-2005161-1	BULB ASSY(CLEAR SINGLE-W21/5W)-NATURAL	1
6-2005161-3	BULB ASSY(AMBER SINGLE-WY2D)-GRAY	1
6-2005161-1	BULB ASSY(AMBER SINGLE-WY2D)-BLACK	1
5-2005161-3	BULB ASSY(AMBER SINGLE-WY21W)-GRAY	1
5-2005161-2	BULB ASSY(AMBER SINGLE-WY21W)-BLACK	1
5-2005161-1	BULB ASSY(AMBER SINGLE-WY21W)-NATURAL	1
7-2005161-3	BULB ASSY(CLEAR SINGLE-W21W)-GRAY	1
7-2005161-2	BULB ASSY(CLEAR SINGLE-W21W)-BLACK	1
7-2005161-1	BULB ASSY(CLEAR SINGLE-W21W)-NATURAL	1

NO	BULB TYPE	COLOR	MATERIAL	DESCRIPTION	QTY
3	-	GREY	SILICONE	O-RING	1
2	-	-	SUS301	LOCK PLATE	1
1	NEW T6 (NON DRING)	BLACK	PA46-GF15	BULB HOLDER HSG (CLEAR SINGLE)	1
1	-T4	NATURAL	PA46-GF15	BULB HOLDER HSG (MINOR)	1
1	NEW T5	GRAY	PA46-GF15	BULB HOLDER HSG (AMBER SINGLE)	1
1	NEW T5 (NON DRING)	BLACK	PA46-GF15	BULB HOLDER HSG (AMBER SINGLE)	1
1	NEW T6	GRAY	PA46-GF15	BULB HOLDER HSG (CLEAR SINGLE)	1

THIS DRAWING IS A CONTROLLED DOCUMENT.

TE Connectivity

BULB HOLDER ASSY FOR T-20(41MM TYPE)

SIZE: A2 CAGE CODE: 00779 DRAWING NO: 2005161

SCALE: 2:1 SHEET: 3 OF 4 REV: B5

4

3

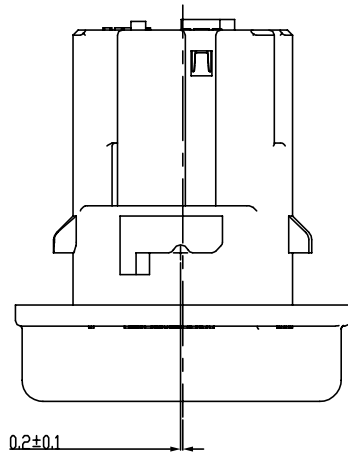
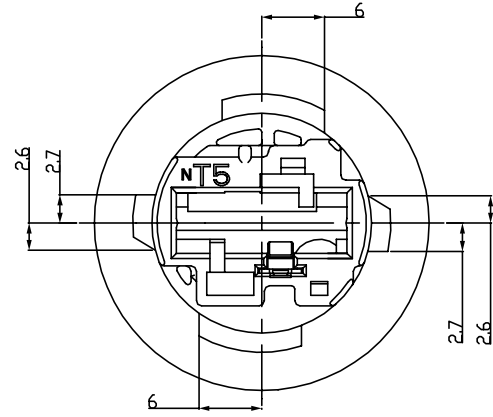
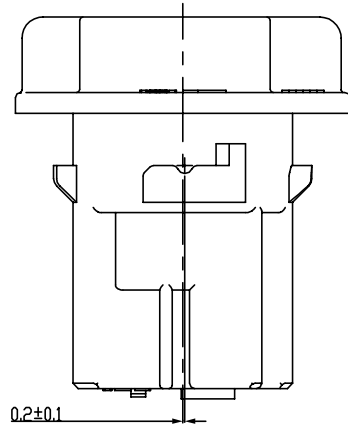
2

1

THIS DRAWING IS UNPUBLISHED. RELEASED FOR PUBLICATION  
 © COPYRIGHT copyright\_date ALL RIGHTS RESERVED.

LDC		DIST		REVISIONS			
P	LTR	DESCRIPTION	DATE	DWN	APVD		

ⓑ4 NEW T5



NOTE  
 1. MISSING DIMSION : SEE 0-2005161-X

NO	BULB TYPE	COLOR	MATERIAL	DESCRIPTION	QTY	P/N
3	-	GREY	SILICONE	O-RING	-	1-2005161-3
2	-	-	SUS301	LOCK PLATE	1 1 1	1-2005161-2
1	NEW T5 FOR MOBIS	GRAY	PA46-GF15	BULB HOLDER HSG (CLEAR SINGLE)	1	1-2005161-1
		BLACK	PA46-GF15		-	
		NATURAL	PA46-GF15		-	

NO	BULB TYPE	COLOR	MATERIAL	DESCRIPTION	QTY
1	NEW T5 FOR MOBIS	GRAY	PA46-GF15	BULB HOLDER HSG (CLEAR SINGLE)	1
2	-	-	SUS301	LOCK PLATE	1
3	-	GREY	SILICONE	O-RING	1

THIS DRAWING IS A CONTROLLED DOCUMENT.

DWN	CHK	APVD	PRODUCT SPEC	APPLICATION SPEC	WEIGHT	CUSTOMER DRAWING
-	-	-	-	-	-	-

SEE SHEET 1 OF 3

**STE** TE Connectivity

NAME: BULB HOLDER ASSY FOR T-20(41MM TYPE)

SIZE	CAGE CODE	DRAWING NO	RESTRICTED TO
A2	00779	© 2005161	-

SCALE 2:1 SHEET 4 OF 4 REV B5