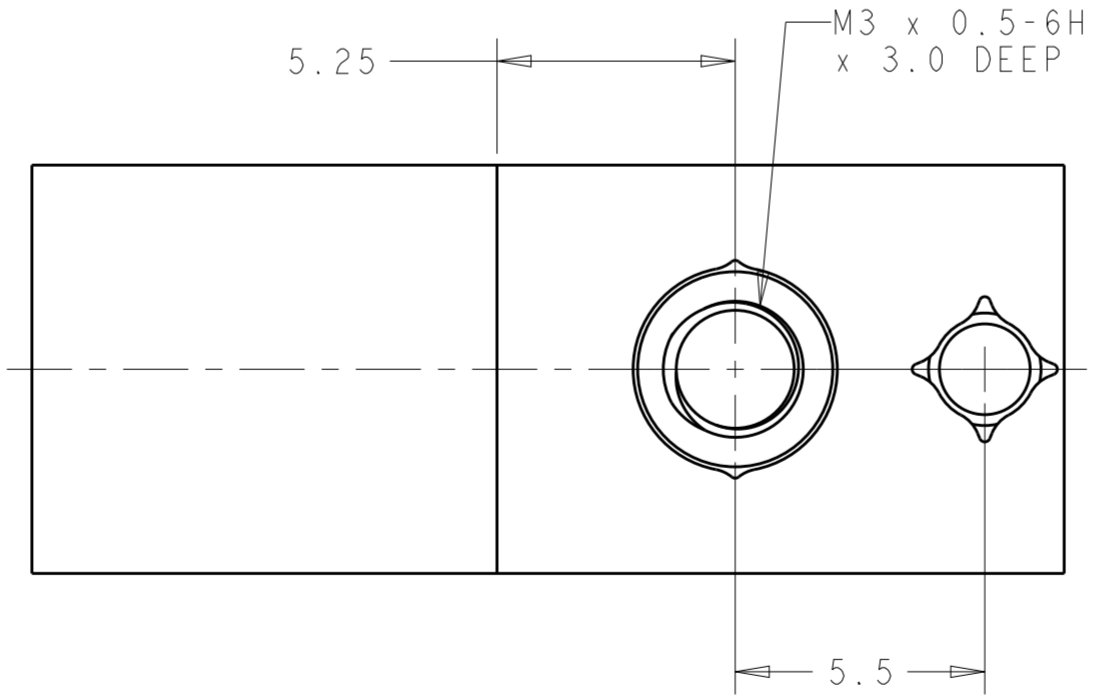
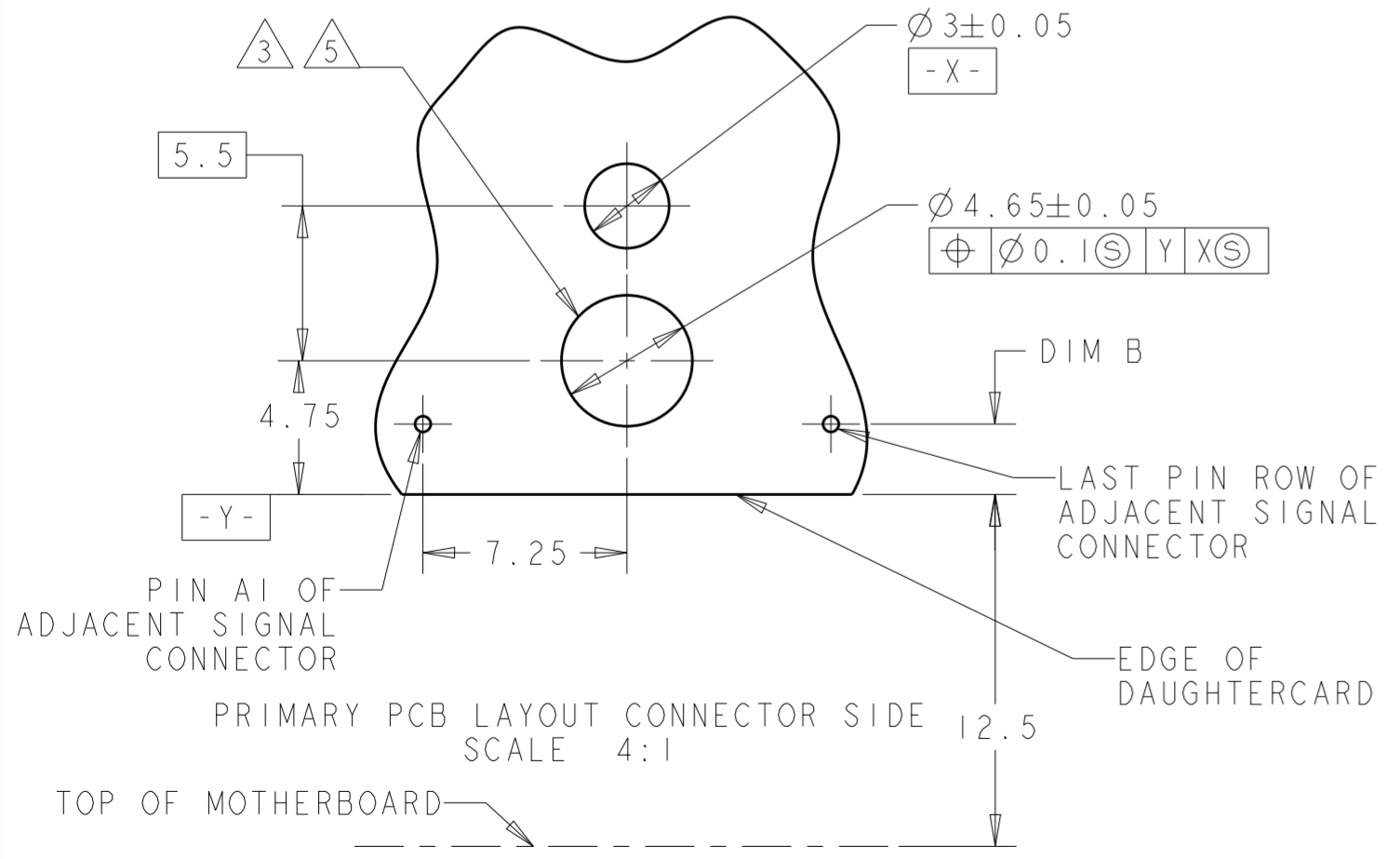
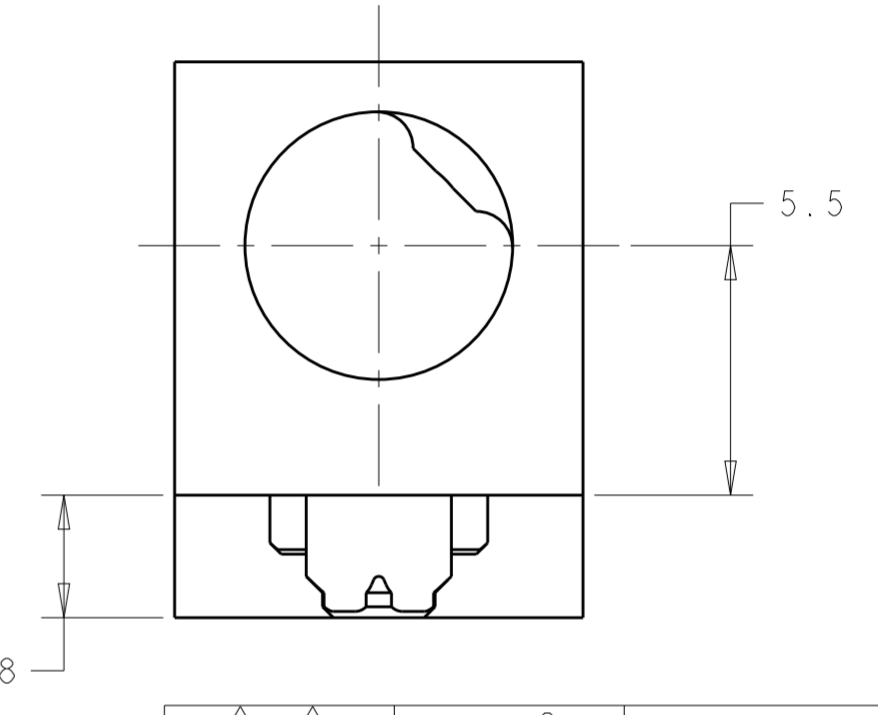
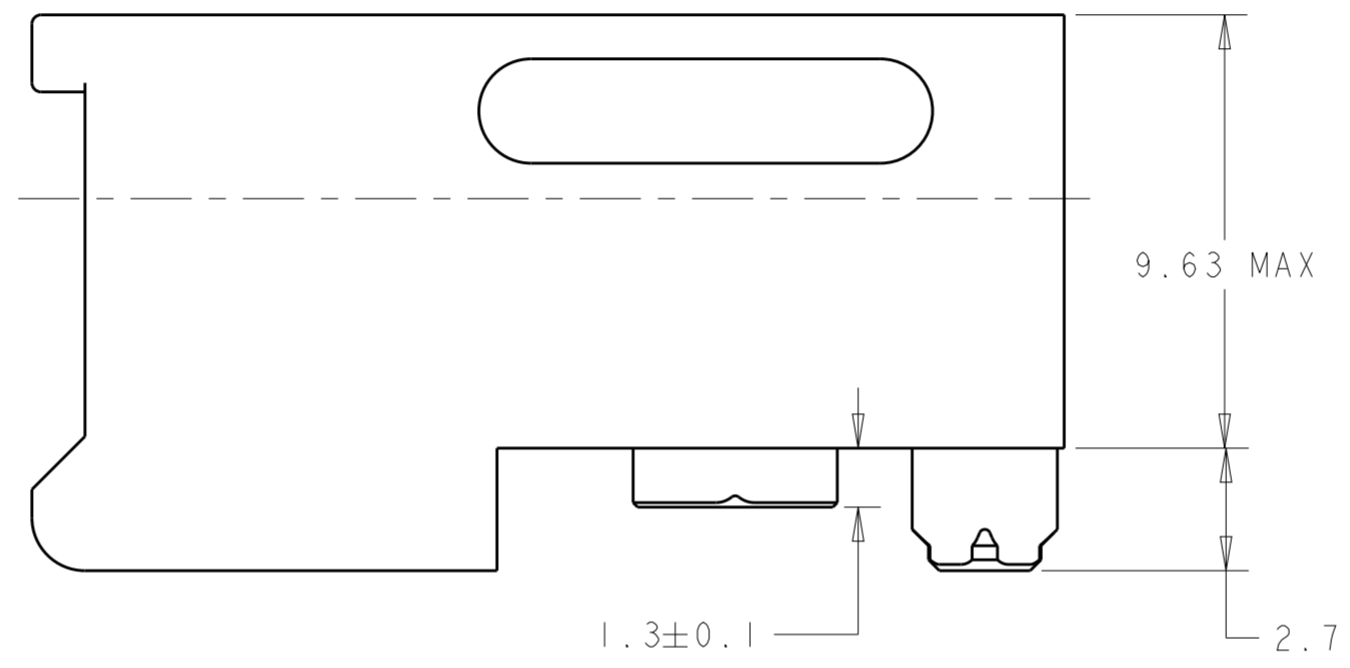
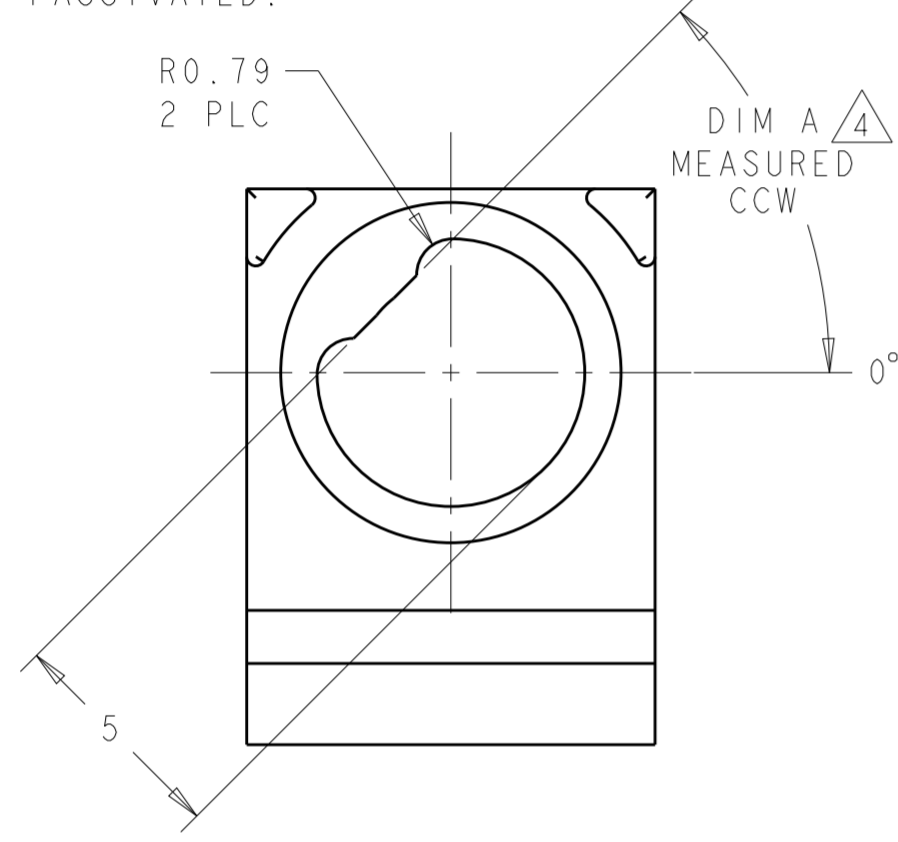
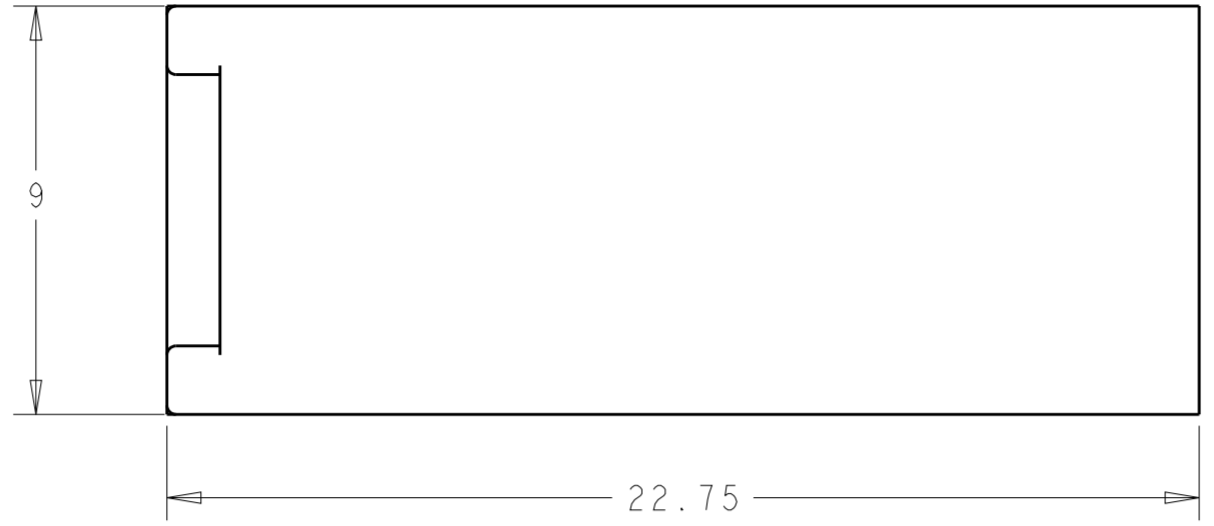


THIS DRAWING IS UNPUBLISHED. RELEASED FOR PUBLICATION 20  
 © COPYRIGHT 20 BY - ALL RIGHTS RESERVED.

REVISIONS				
P	LTR	DESCRIPTION	DATE	APVD
E		REV PER ECO 18-009576	6-22-18	CT RL

- 1 MATERIAL: HOUSING: ALUMINUM 6061.
- 2 FINISH: 0.025 MIN ELECTROLESS NICKEL PER AMS-C-26074, GRADE A, CLASS 4.
- 3 HOLE FOR POSITIVE RETENTION SCREW.
- 4 DASH NUMBERS INDICATE KEY ORIENTATION (P/N 1-2000677-2 SHOWN ON DRAWING)
- 5 GROUND PAD Ø5mm ON BOTH SIDE OF PCB.
- 6 GUIDE MODULE W/O KEYING
- 7 MATERIAL: HOUSING: STAINLESS STEEL 303.
- 8 FINISH: PASSIVATED.



1 2	225°	3-2000677-5
1 2	180°	3-2000677-4
1 2	135°	3-2000677-3
7 8	6	2-2000677-9
7 8	315°	2-2000677-8
7 8	270°	2-2000677-7
7 8	90°	2-2000677-3
7 8	45°	2-2000677-2
7 8	0°	2-2000677-1
1 2	0°	2-2000677-0
1 2	6	1-2000677-9
1 2	315°	1-2000677-8
1 2	270°	1-2000677-7
1 2	90°	1-2000677-3
1 2	45°	1-2000677-2
MATERIAL & FINISH		A
		PART NUMBER

1.5	TIER 2 (7-ROW)
2.25	TIER 2
2.5	TIER 1
DIM B	PRODUCT

THIS DRAWING IS A CONTROLLED DOCUMENT.

DWN BH 11 JAN 2008  
 CHK MRM 11 JAN 2008  
 APVD MRM 11 JAN 2008

**STE** TE Connectivity

NAME HOUSING, GUIDE MODULE/STANDOFF, RIGHT ANGLE, KEYED, 20.3mm,

SIZE A2 CAGE CODE 00779 DRAWING NO C-2000677 RESTRICTED TO

MATERIAL SEE TABLE material\_2 finish\_spec\_2

WEIGHT -

CUSTOMER DRAWING SCALE 5:1 SHEET 1 OF 1 REV E