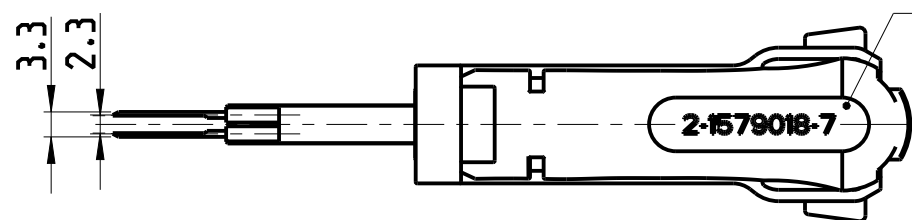
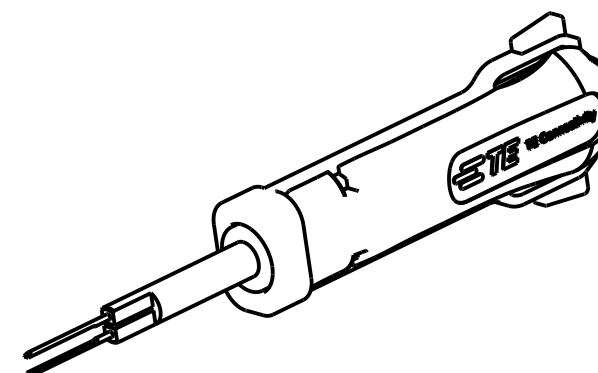
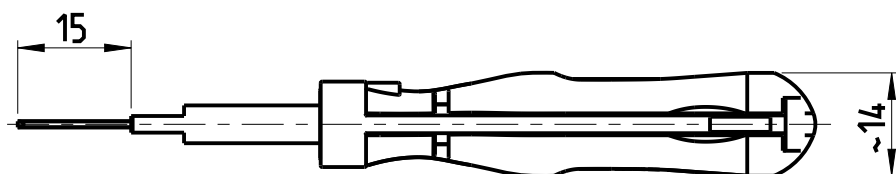
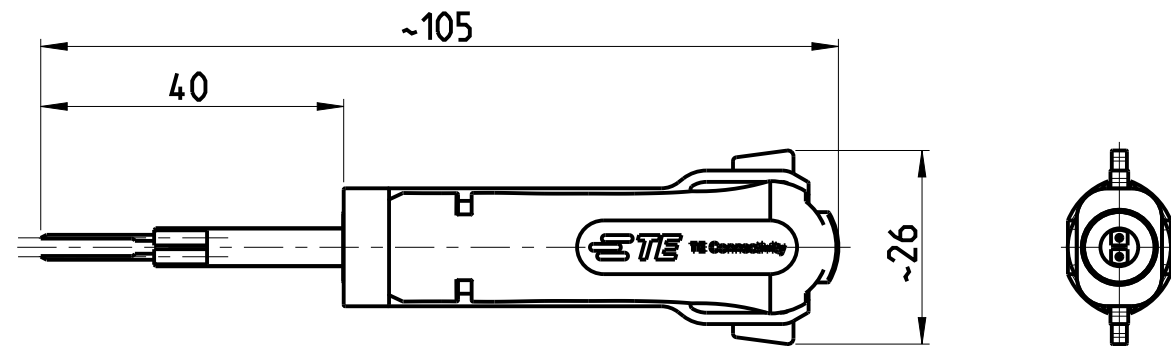


P	LTR	DESCRIPTION	DATE	DWN	APVD
A1	ECR-08-022300		04SEP2008	TW	GS
A2	ECR-21-001703		15FEB2021	PNT	GS



ITEM NUMBER
Art-Nr H=3mm

APPLICATION RANGE / Anwendungsbereich:

FOR CONTACTS: MICRO TIMER 3 / TAB 1.6mm

Contact TE P/N:
1241732, 1241730, 1241860, 1241858, 968052, 969022, 965914.

Housing TE P/N:
1355309

THIS DRAWING IS A CONTROLLED DOCUMENT.		DWN T. Weissgerber 12AUG2008			
DIMENSIONS: mm		CHK G. Stegmayer 04SEP2008			
TOLERANCES UNLESS OTHERWISE SPECIFIED:		APVD G. Stegmayer 04SEP2008	NAME EXTRACTION TOOL Entriegelungswerkzeug		
		PRODUCT SPEC -	RESTRICTED TO		
MATERIAL		APPLICATION SPEC -	SIZE A3	CAGE CODE 00779	DRAWING NO C-2-1579018-7
FINISH -		WEIGHT -	SCALE 1:1 SHEET 1 OF 1 REV A2		
CUSTOMER DRAWING					